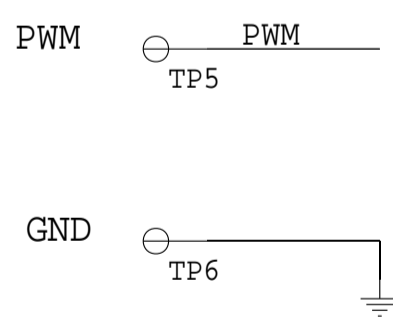
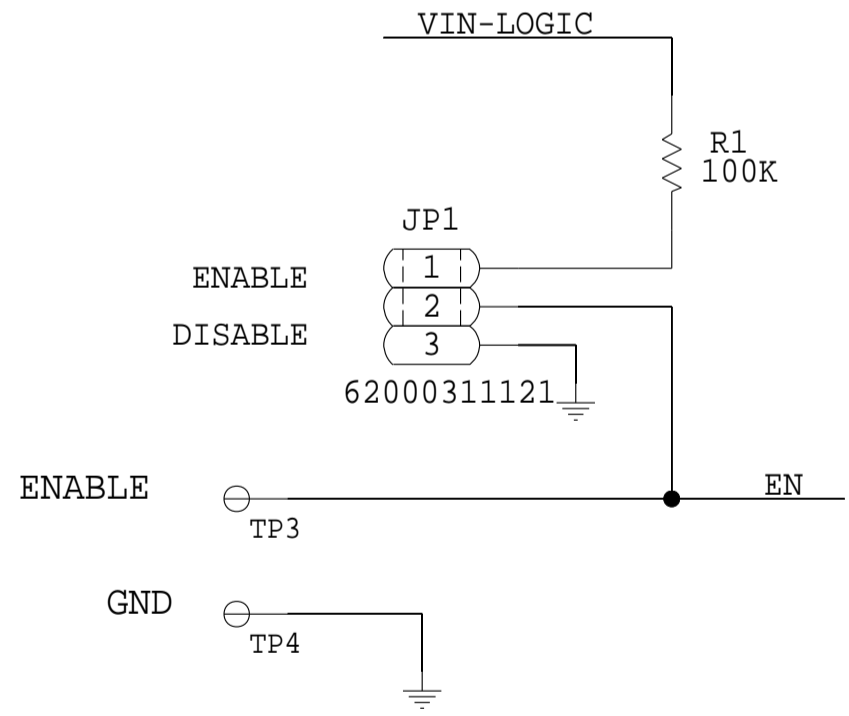
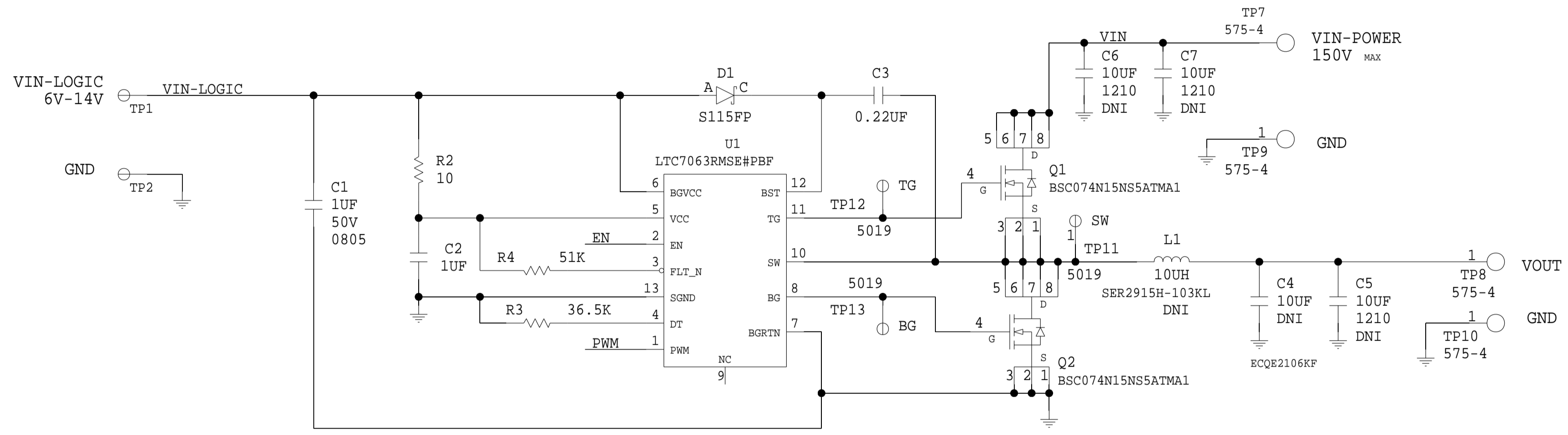


REVISIONS			
REV	DESCRIPTION	DATE	APPROVED
A	INITIAL RELEASE	27JUL22	X
B	ECR-110751	27SEP22	X



NOTES: UNLESS OTHERWISE SPECIFIED
 ALL RESISTORS ARE 0603
 ALL CAPACITORS ARE 0603

	SCHEMATIC			
	HW TYPE : Customer Evaluation EVAL-LTC7063-AZ			
	Product(s): LTC7063			
	150V HALF-BRIDGE DRIVER WITH FLOATING GROUNDS			
DESIGN VIEW	DRAWING NO.		REV	
<DESIGN_VIEW>	02_072432		B	
PTD ENGINEER	SIZE	SCALE	SHEET	OF
-	C	1:1	1	1