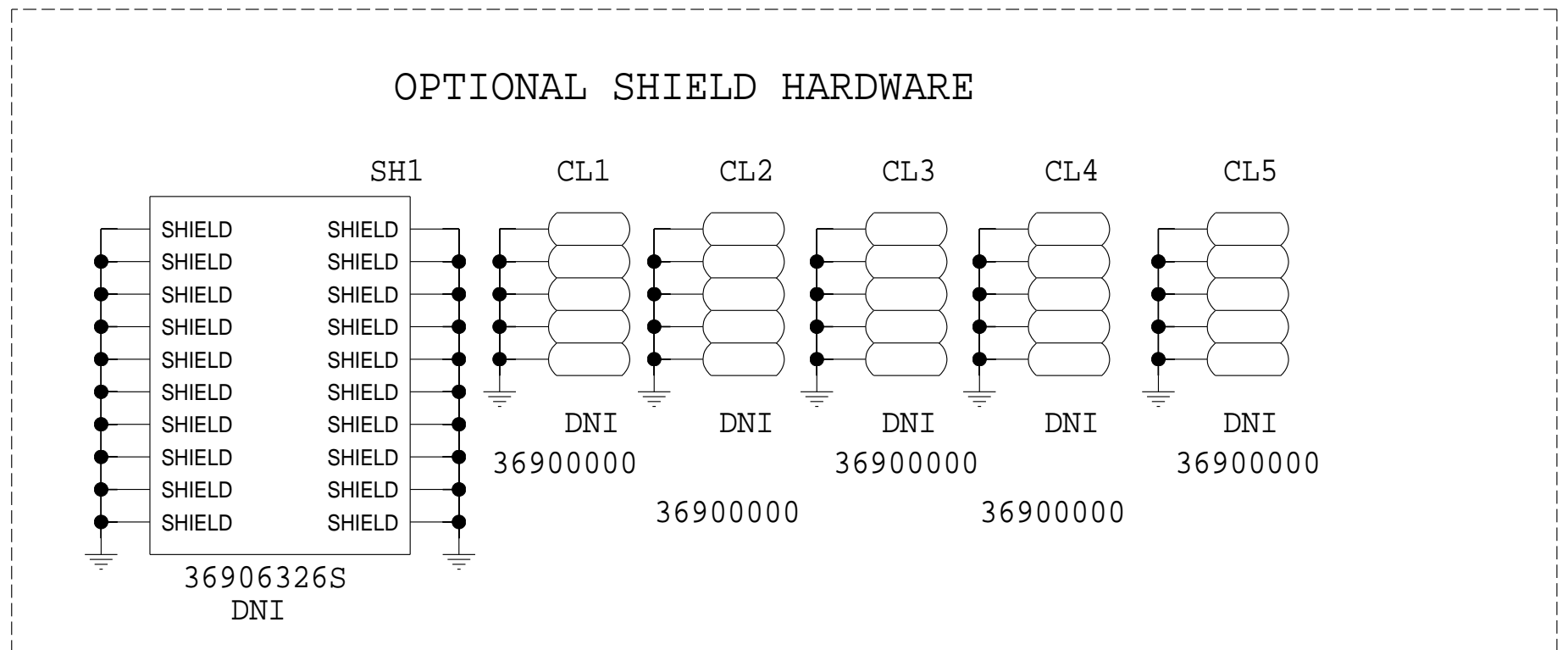


RELAY CONTROL CHART				
CONTROL	CODE	DEVICE	FUNCTION	CONNECTOR

JUMPER TABLE		
JP#	ON	OFF
1		
2		
3		
4		
5		

REVISIONS			
REV	DESCRIPTION	DATE	APPROVED

\* SEE ASSEMBLY INSTRUCTIONS



P.O SPEC.	BK/BD SPEC.	SOCKET OEM	OEM PART#	HANDLER

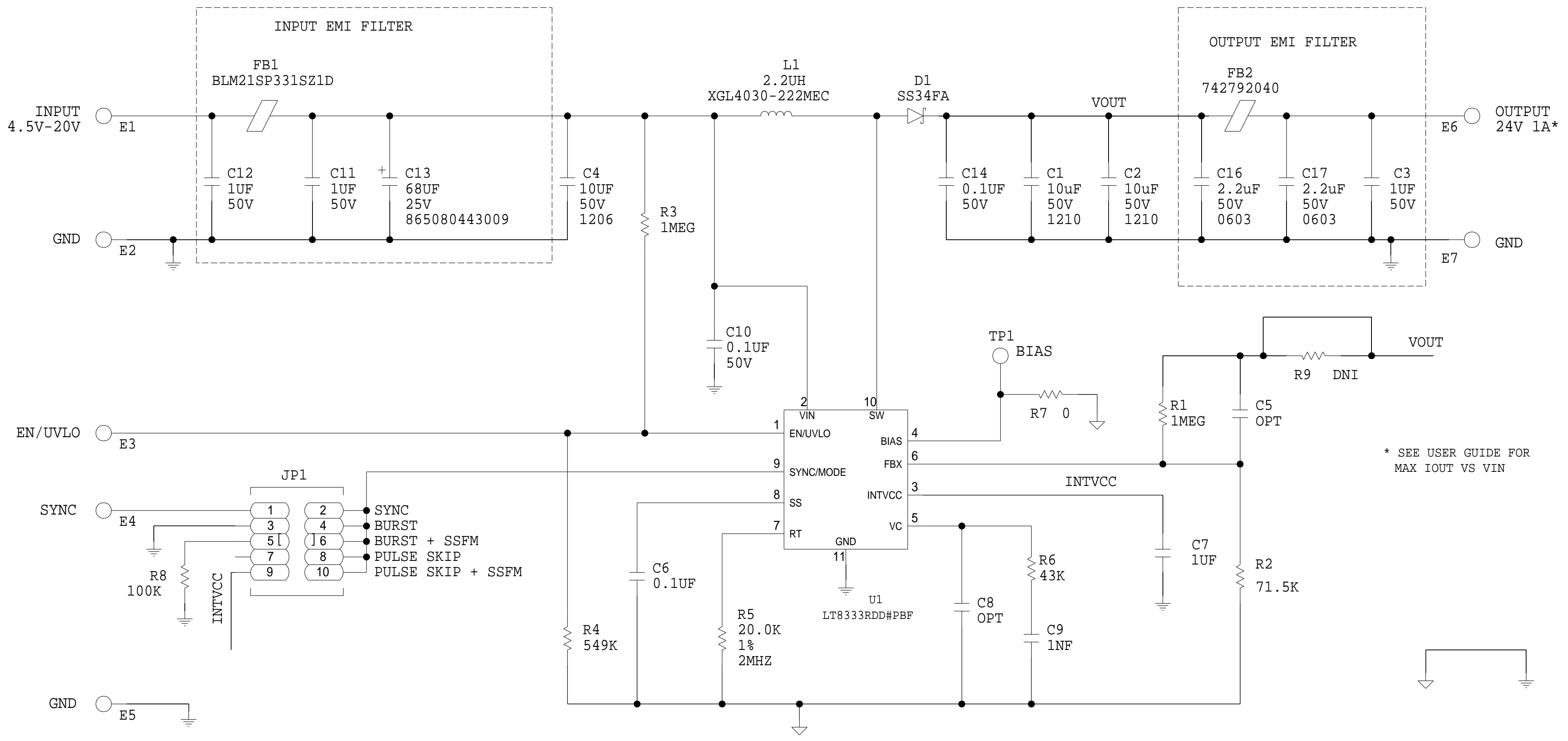
TEMPLATE ENGINEER	-	DATE	
HARDWARE SERVICES	-		
HARDWARE SYSTEMS	-		
TEST ENGINEER	-		
COMPONENT ENGINEER	-		
TEST PROCESS	-		
HARDWARE RELEASE	-		
DESIGNER	-		
PTD ENGINEER	<PTD_ENGINEER>		
CHECKER	-		

## SCHEMATIC

HW TYPE : Customer Evaluation  
 PACKAGE : LeadCount-lead BodySize PackageType-family  
 : Pitch-pitch StyleVendor Style  
 <DRAWING\_TITLE3>  
 <DRAWING\_TITLE4>  
 TITLE : LOW I 40V, 3A BOOST/SEPIC/INVERTING CONVERTER  
 TBD  
 Product(s): LT8333RDD / EVAL-LT8333-BZ

MASTER PROJECT TEMPLATE <MASTER_PROJECT_TEMPLATE>		TESTER TEMPLATE <TESTER_TEMPLATE>		DRAWING NO. 02_069598	REV. B
UNLESS OTHERWISE SPECIFIED DIMENSIONS ARE IN INCHES					
TOLERANCES			SIZE	SCALE	CODE ID NO.
DECIMALS	FRACTIONS	ANGLES	C	1:1	CodeID
X.XX +0.010	+/1/32	+2			
X.XXX +0.005					
			SHEET	1	OF 2

REVISIONS			
REV	DESCRIPTION	DATE	APPROVED
A	INITIAL RELEASE	JAN2022	
B	ECR-107459	MAR2022	



\* SEE USER GUIDE FOR  
MAX IOUT VS VIN

- NOTES: UNLESS OTHERWISE SPECIFIED
1. ALL RESISTORS ARE 0402
  2. ALL CAPACITORS ARE 0402

<p>THIS DRAWING IS THE PROPERTY OF ANALOG DEVICES INC. IT IS NOT TO BE REPRODUCED OR COPIED, IN WHOLE OR IN PART, OR USED IN FURNISHING INFORMATION TO OTHERS, OR FOR ANY OTHER PURPOSE DETRIMENTAL TO THE INTERESTS OF ANALOG DEVICES. THE EQUIPMENT SHOWN HEREON MAY BE PROTECTED BY PATENTS OWNED OR CONTROLLED BY OWNED ANALOG DEVICES.</p>	<b>SCHEMATIC</b>			
	HW TYPE : Customer Evaluation Product(s): LT8333RDD / EVAL-LT8333-BZ Title : LOW I 48V, 3A BOOST/SEPIC/INVERTING CONVERTER			
	DESIGN VIEW <DESIGN_VIEW>	DRAWING NO. 02_069598		REV B
	PTD ENGINEER <PTD_ENGINEER>	SIZE C	SCALE 1:1	SHEET 2 OF 2