

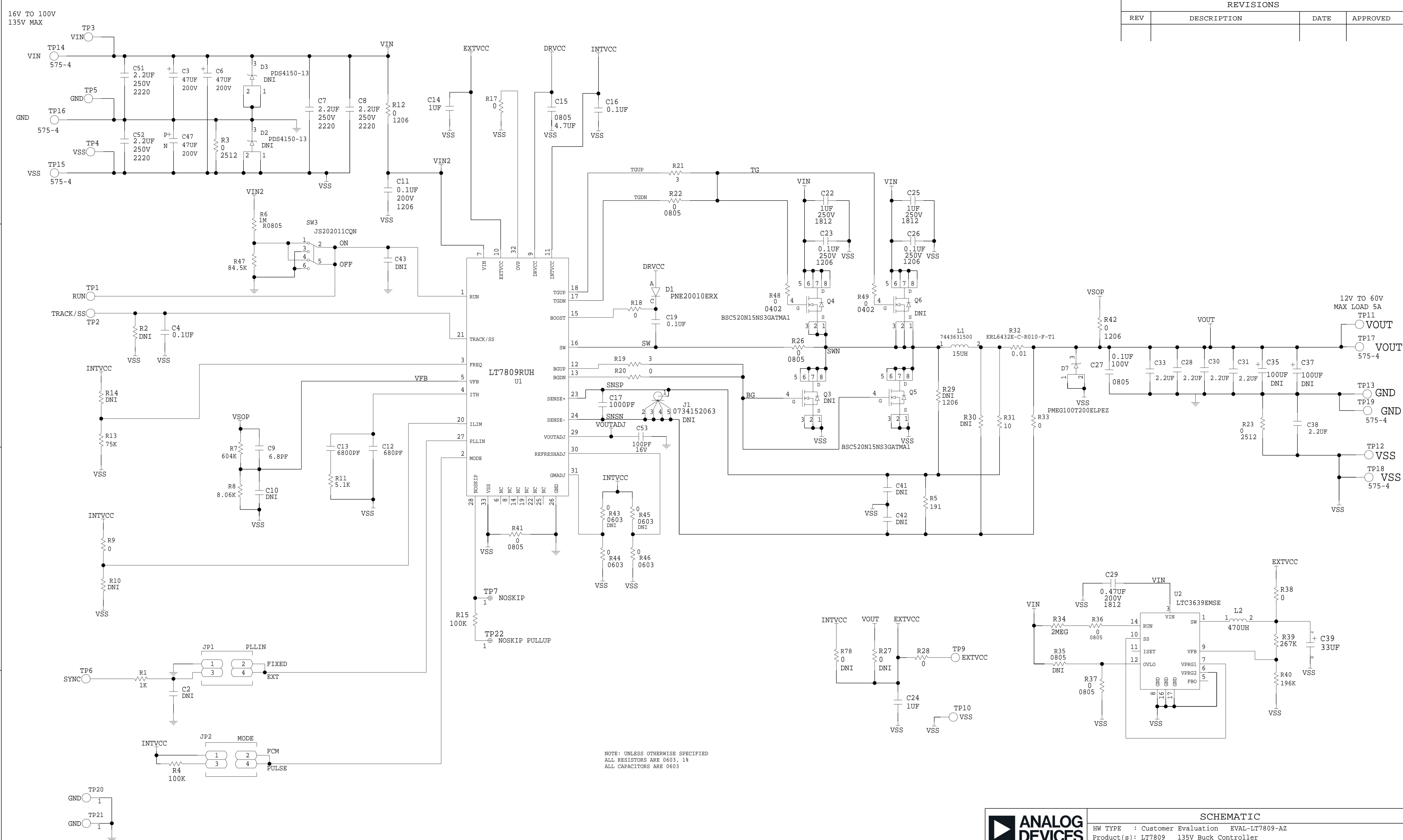
THIS DRAWING IS THE PROPERTY OF ANALOG DEVICES INC. IT IS NOT TO BE REPRODUCED OR COPIED, IN WHOLE OR IN PART, OR USED IN FURNISHING INFORMATION TO OTHERS, OR FOR ANY OTHER PURPOSE DETRIMENTAL TO THE INTERESTS OF ANALOG DEVICES. THE EQUIPMENT SHOWN HEREON MAY BE PROTECTED BY PATENTS OWNED OR CONTROLLED BY ANALOG DEVICES.

REVISIONS			
REV	DESCRIPTION	DATE	APPROVED

JUMPER/SWITCH	DEFAULT POSITION
JP1 (PLEIN)	FIXED
JP2 (MODE)	PCM
JP4 (VOUTADJ SOURCE)	INT
JP5 (VOUTADJ CURRENT)	25UA
JP7 (PULSE POLARITY)	NORM
SW2 (INT POWER)	ON
SW3 (RUN)	ON

TEMPLATE ENGINEER N/A	DATE 16JUN25	SCHEMATIC		
HARDWARE SERVICES M. VALE	N/A			
HARDWARE SYSTEMS N/A	N/A	HW TYPE : Customer Evaluation EVAL-LT7809-AZ		
TEST ENGINEER N/A	16JUN25	Product(s): LT7809 135V Buck Controller with Dynamically Adjustable Output Voltage Programming		
COMPONENT ENGINEER A. EMPENSANDO	N/A	PACKAGE : LeadCount-lead 10X10X0.85 QFN-family : Pitch-pitch StyleVendor Style		
TEST PROCESS N/A	16JUN25	<User Define>		
HARDWARE RELEASE E. CONDA	16JUN25	<User Define>		
DESIGNER R. GAVINO	16JUN25	MASTER PROJECT TEMPLATE TBD	TESTER TEMPLATE 067706_a	DRAWING NO. 02_074229
PTD ENGINEER A. SHAPIRO	N/A	UNLESS OTHERWISE SPECIFIED DIMENSIONS ARE IN INCHES		REV. C
CHECKER N/A	N/A	TOLERANCES		SIZE D
		DECIMALS X.XX +-0.010	FRACTIONS +-1/32	ANGLES +-2
		SCALE 1:1	CODE ID NO. CodeID	SHEET 1 OF 3

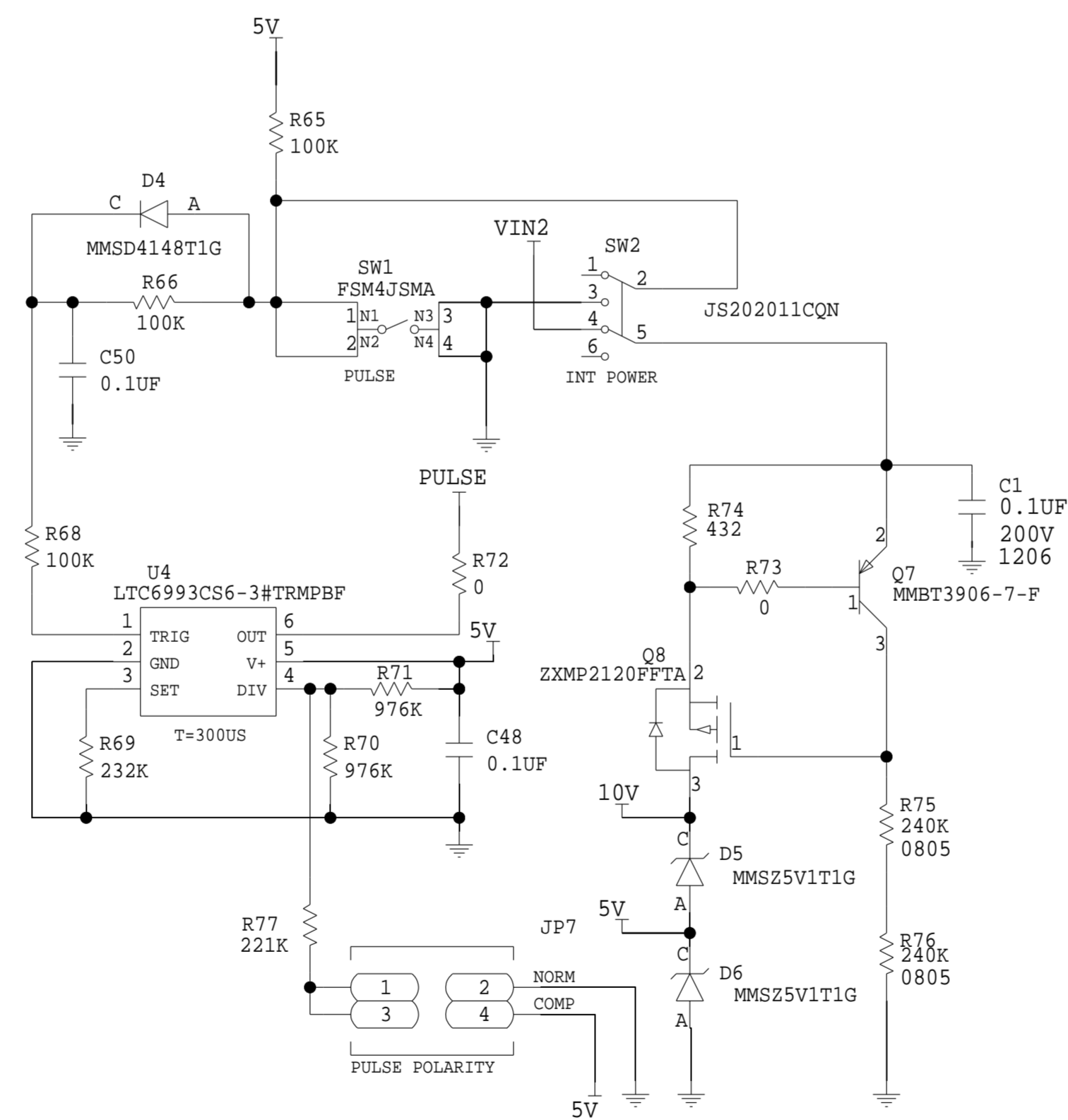
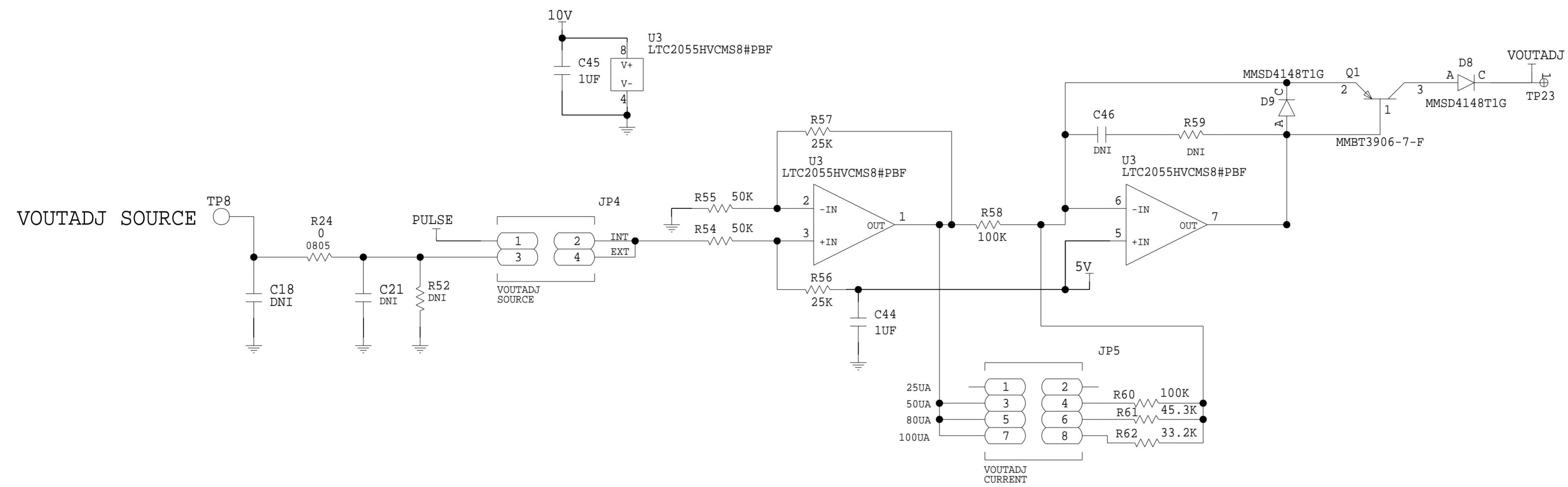
REVISIONS			
REV	DESCRIPTION	DATE	APPROVED



NOTE: UNLESS OTHERWISE SPECIFIED
ALL RESISTORS ARE 0603, 1%
ALL CAPACITORS ARE 0603

	SCHEMATIC		
	HW TYPE : Customer Evaluation EVAL-LT7809-AZ Product(s): LT7809 135V Buck Controller with Dynamically Adjustable Output Voltage Programming		
DESIGN VIEW	DRAWING NO.	REV	
<DESIGN_VIEW>	02_074229	C	
PTD ENGINEER	SIZE	SCALE	SHEET 2 OF 3
A. SHAPIRO	D	1:1	

REVISIONS			
REV	DESCRIPTION	DATE	APPROVED



	SCHMATIC		
	HW TYPE : Customer Evaluation EVAL-LT7809-AZ Product(s): LT7809 135V Buck Controller with Dynamically Adjustable Output Voltage Programming		
	DESIGN VIEW <DESIGN_VIEW>	DRAWING NO. 02_074229	REV C
	PTD ENGINEER A. SHAPIRO	SIZE D 1:1	SCALE SHEET 3 OF 3