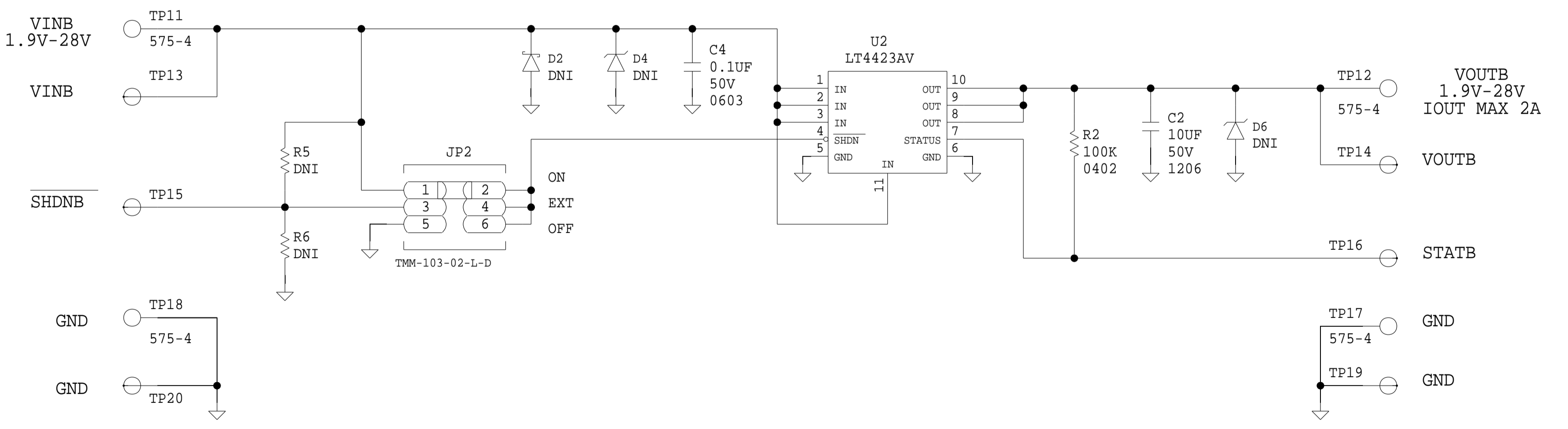
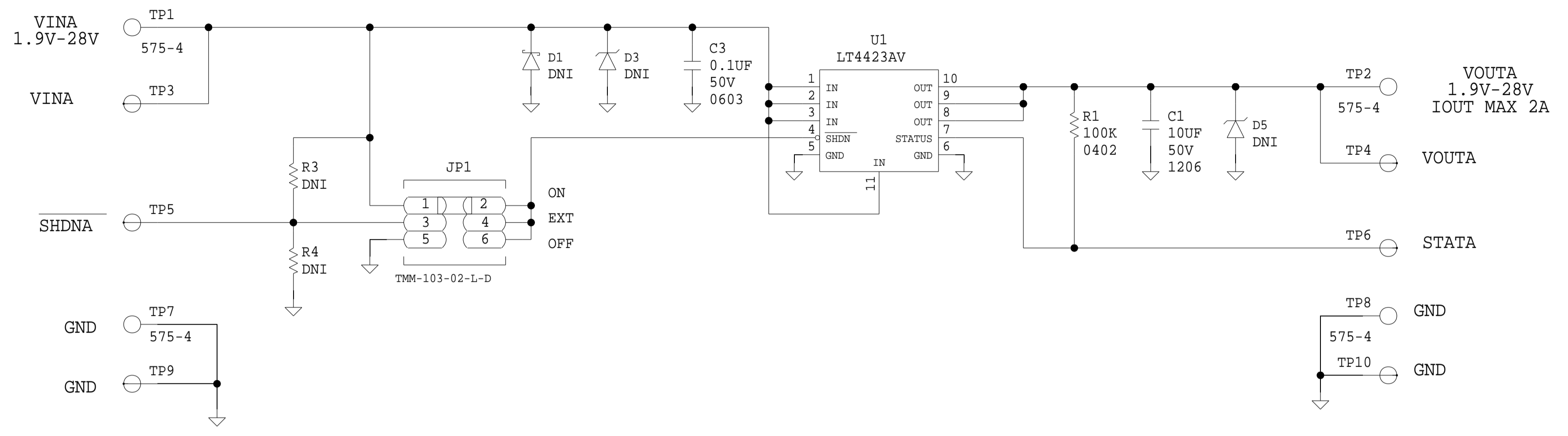


REVISIONS			
REV	DESCRIPTION	DATE	APPROVED
A	INITIAL RELEASE	22MAY24	X



<p>THIS DRAWING IS THE PROPERTY OF ANALOG DEVICES INC. IT IS NOT TO BE REPRODUCED OR COPIED, IN WHOLE OR IN PART, OR USED IN FURNISHING INFORMATION TO OTHERS, OR FOR ANY OTHER PURPOSE DETRIMENTAL TO THE INTERESTS OF ANALOG DEVICES. THE EQUIPMENT DESIGN HEREIN MAY BE PROTECTED BY PATENTS OWNED OR CONTROLLED BY OWNED ANALOG DEVICES.</p>	SCHEMATIC			
	HW TYPE : Customer Evaluation EVAL-LT4423-AZ			
	Product(s): LT4423 28V, 2A IDEAL DIODE AND LOAD SWITCH			
	DESIGN VIEW <DESIGN_VIEW>	DRAWING NO. 02_080147		REV A
PTD ENGINEER -	SIZE C	SCALE 1:1	SHEET 1 OF 1	