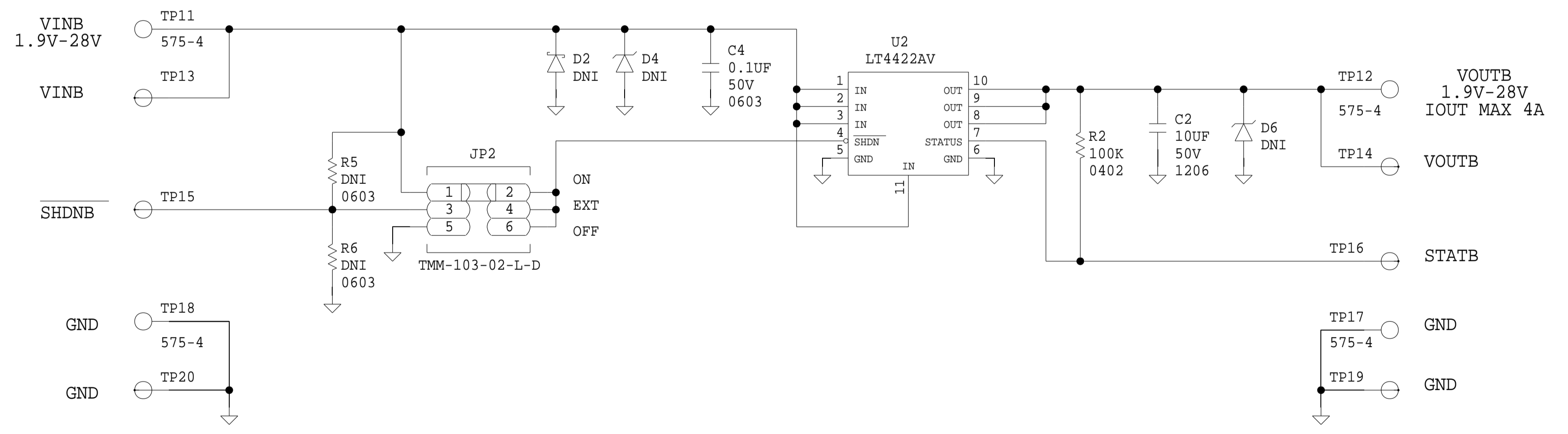
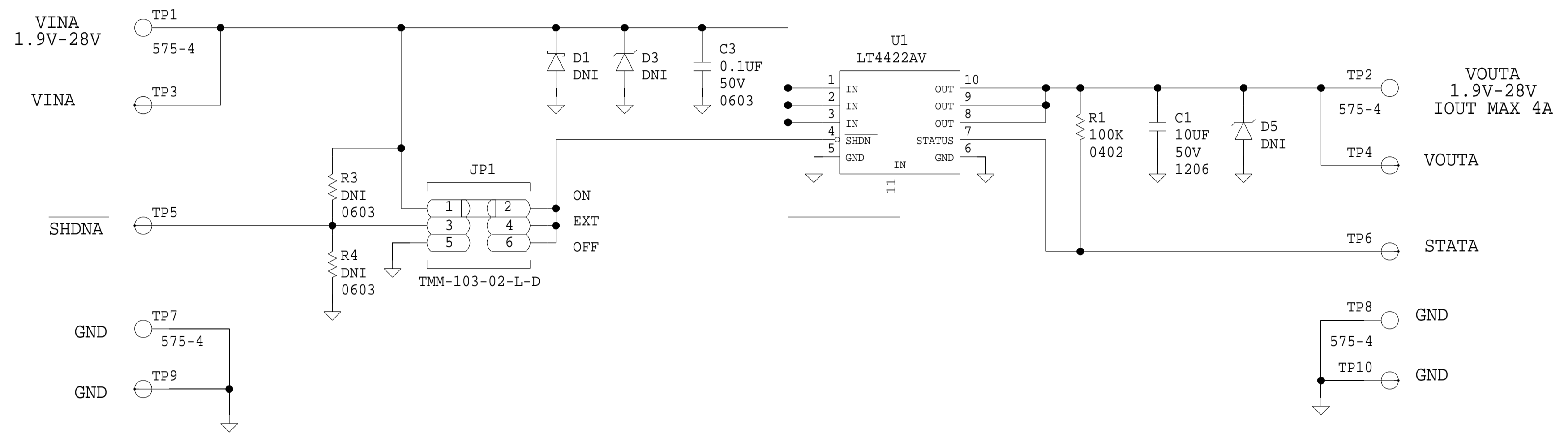


REVISIONS			
REV	DESCRIPTION	DATE	APPROVED
A	INITIAL RELEASE	16JUL24	X



<p>THIS DRAWING IS THE PROPERTY OF ANALOG DEVICES INC. IT IS NOT TO BE REPRODUCED OR COPIED, IN WHOLE OR IN PART, OR USED IN FURNISHING INFORMATION TO OTHERS, OR FOR ANY OTHER PURPOSE DETRIMENTAL TO THE INTERESTS OF ANALOG DEVICES. THE EQUIPMENT DESIGN HEREIN MAY BE PROTECTED BY PATENTS OWNED OR CONTROLLED BY OWNED ANALOG DEVICES.</p>	SCHEMATIC			
	HW TYPE : Customer Evaluation EVAL-LT4422-AZ			
	Product(s): LT4422 28V, 4A IDEAL DIODE			
	DESIGN VIEW <DESIGN_VIEW>	DRAWING NO. 02_080148		REV A
PTD ENGINEER -	SIZE C	SCALE 1:1	SHEET 1 OF 1	