
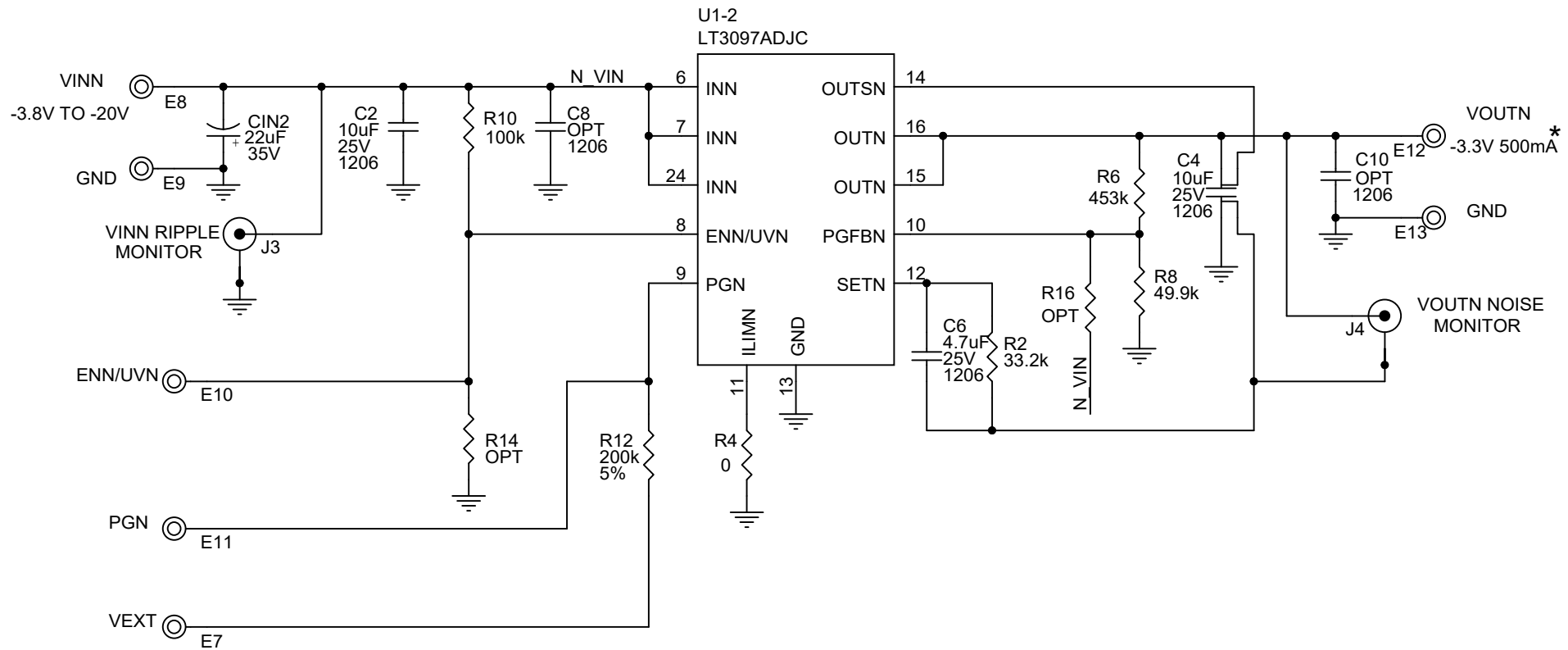


NOTE: UNLESS OTHERWISE SPECIFIED

- 1. ALL RESISTORS ARE 0603, 1%

<b>CUSTOMER NOTICE</b>	<b>APPROVALS</b>		 <b>AHEAD OF WHAT'S POSSIBLE™</b>	
	ANALOG DEVICES HAS MADE A BEST EFFORT TO DESIGN A CIRCUIT THAT MEETS CUSTOMER-SUPPLIED SPECIFICATIONS; HOWEVER, IT REMAINS THE CUSTOMER'S RESPONSIBILITY TO VERIFY PROPER AND RELIABLE OPERATION IN THE ACTUAL APPLICATION. COMPONENT SUBSTITUTION AND PRINTED CIRCUIT BOARD LAYOUT MAY SIGNIFICANTLY AFFECT CIRCUIT PERFORMANCE OR RELIABILITY. CONTACT ANALOG DEVICES APPLICATIONS ENGINEERING FOR ASSISTANCE.	PCB DES.		
THIS CIRCUIT IS PROPRIETARY TO ANALOG DEVICES AND SUPPLIED FOR USE WITH ANALOG DEVICES PARTS.	APP ENG.	AR	<b>TITLE: SCHEMATIC</b> <b>DUAL 500mA, POSITIVE/NEGATIVE, ULTRALOW NOISE, ULTRAHIGH PSRR, LOW DROPOUT LINEAR REGULATOR</b>	
			<b>IC NO. LT3097</b> <b>SKU NO. EVAL-LT3097-AZ</b>	
			<b>SCHEMATIC NO. AND REVISION:</b> <b>710-EVAL-LT3097-AZ_REV02</b>	
			<b>SIZE: N/A</b>	<b>DATE: Thursday, August 18, 2022</b>




**CUSTOMER NOTICE**

ANALOG DEVICES HAS MADE A BEST EFFORT TO DESIGN A CIRCUIT THAT MEETS CUSTOMER-SUPPLIED SPECIFICATIONS; HOWEVER, IT REMAINS THE CUSTOMER'S RESPONSIBILITY TO VERIFY PROPER AND RELIABLE OPERATION IN THE ACTUAL APPLICATION. COMPONENT SUBSTITUTION AND PRINTED CIRCUIT BOARD LAYOUT MAY SIGNIFICANTLY AFFECT CIRCUIT PERFORMANCE OR RELIABILITY. CONTACT ANALOG DEVICES APPLICATIONS ENGINEERING FOR ASSISTANCE.

THIS CIRCUIT IS PROPRIETARY TO ANALOG DEVICES AND SUPPLIED FOR USE WITH ANALOG DEVICES PARTS.

APPROVALS	
PCB DES.	J W
APP ENG.	A R



**ANALOG DEVICES**  
AHEAD OF WHAT'S POSSIBLE™

**TITLE: SCHEMATIC**  
**DUAL 500mA, POSITIVE/NEGATIVE, ULTRALOW NOISE, ULTRAHIGH PSRR, LOW DROPOUT LINEAR REGULATOR**

<b>IC NO. LT3097</b>	<b>SCHEMATIC NO. AND REVISION:</b>
<b>SKU NO. EVAL-LT3097-AZ</b>	<b>710-EVAL-LT3097-AZ_REV02</b>

<b>SIZE: N/A</b>	<b>DATE: Thursday, August 18, 2022</b>	<b>SHEET 2 OF 2</b>
------------------	--	---------------------