

8 7 6 5 4 3 2 1

THIS DRAWING IS THE PROPERTY OF ANALOG DEVICES INC. IT IS NOT TO BE REPRODUCED OR COPIED, IN WHOLE OR IN PART, OR USED IN FURNISHING INFORMATION TO OTHERS, OR FOR ANY OTHER PURPOSE DETRIMENTAL TO THE INTERESTS OF ANALOG DEVICES. THE EQUIPMENT SHOWN HEREON MAY BE PROTECTED BY PATENTS OWNED OR CONTROLLED BY ANALOG DEVICES.

REVISIONS			
REV	DESCRIPTION	DATE	APPROVED
A	INITIAL RELEASE	22NOV22	B. GONZALES
B	AS PER ECR-116661	14SEP23	C. JARDIN
C	AS PER ECR-121767	23JUL24	C. JARDIN

D

D

C



C

B

B

A

A

TEMPLATE ENGINEER N/A	DATE	SCHEMATIC		 	
HARDWARE SERVICES M. VALE	22NOV22				
HARDWARE SYSTEMS N/A		HW TYPE : Customer Evaluation Z Product(s): LT3074 : LT3074			
TEST ENGINEER N/A		PACKAGE : LeadCount-lead BodySize LQFN-family : Pitch-pitch StyleVendor Style			
TEST PROCESS N/A		<User Define> <User Define> <User Define>			
HARDWARE RELEASE K. JABATAN	22NOV22	MASTER PROJECT TEMPLATE TBD		TESTER TEMPLATE 065804_a	
DESIGNER S. NODADO	22NOV22	DRAWING NO. 02_072506		REV. C	
PTD ENGINEER B. GONZALES	22NOV22	<small>UNLESS OTHERWISE SPECIFIED DIMENSIONS ARE IN INCHES</small> TOLERANCES DECIMALS FRACTIONS ANGLES X.XX +0.010 +1/32 +2 X.XXX +0.005			
CHECKER N/A		SIZE D	SCALE 1:1	CODE ID NO. CodeID	SHEET 1 OF 3

8

7

6

5

4

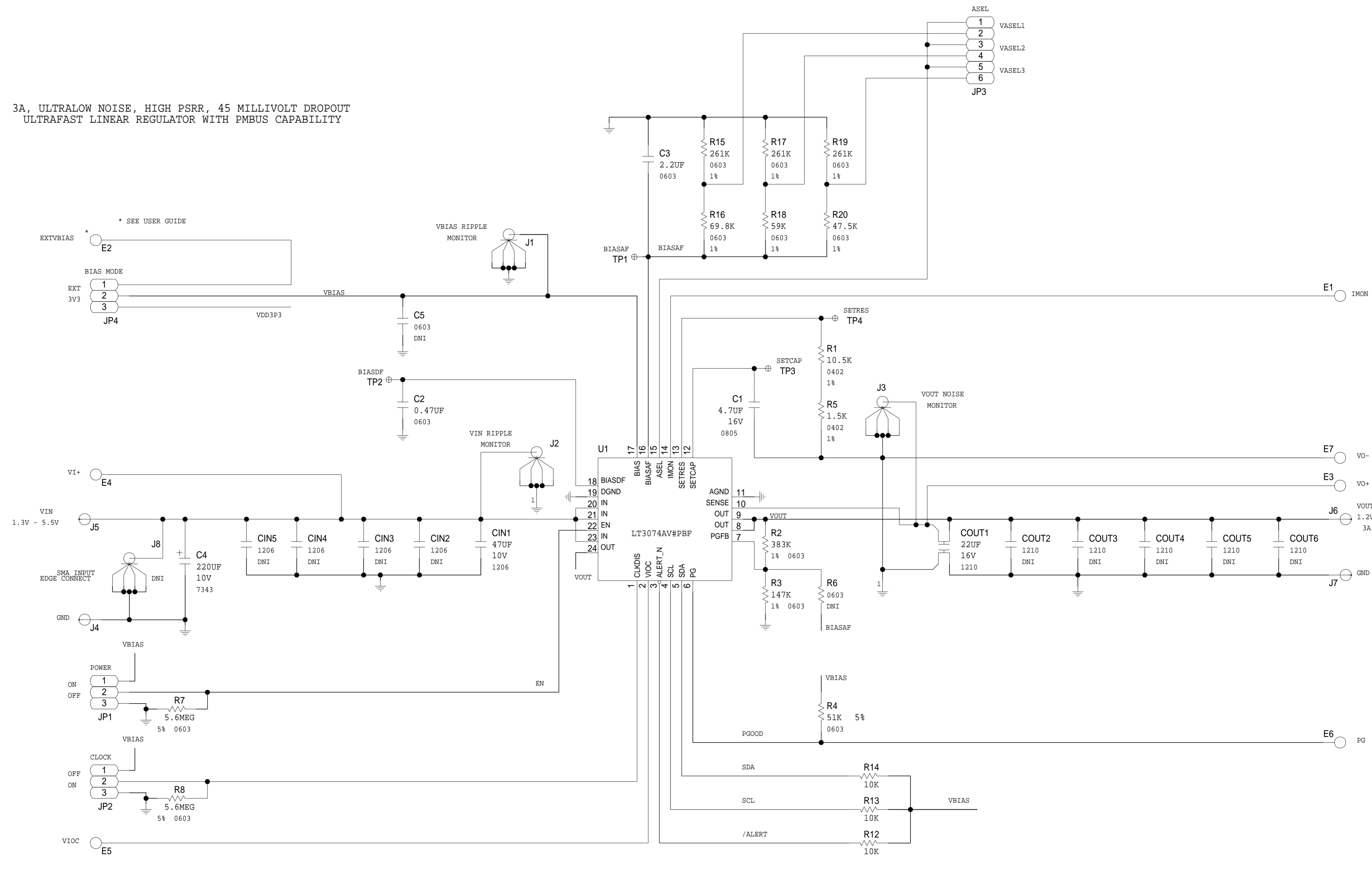
3

2

1

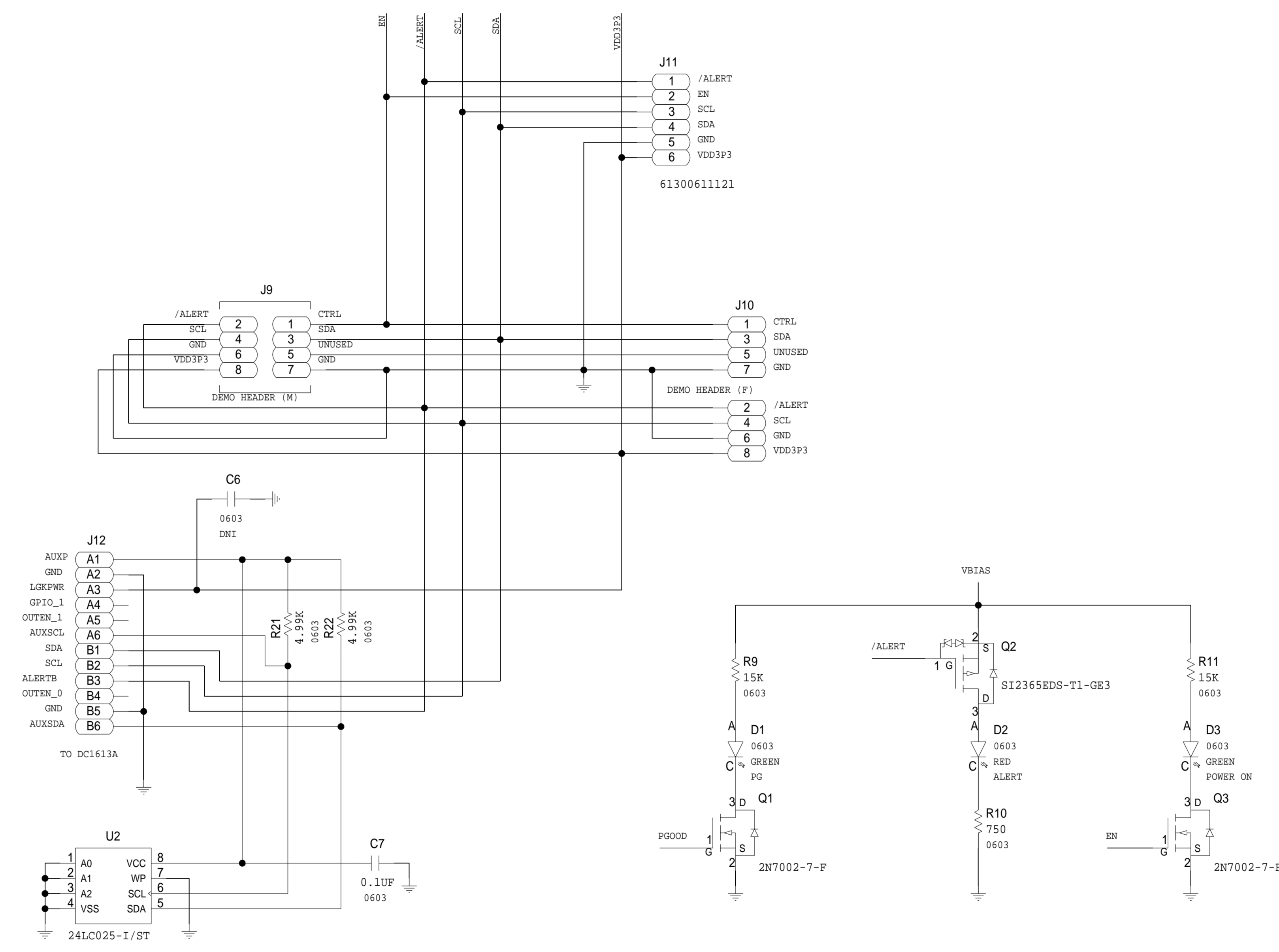
REVISIONS			
REV	DESCRIPTION	DATE	APPROVED

3A, ULTRALOW NOISE, HIGH PSRR, 45 MILLIVOLT DROPOUT
ULTRAFAST LINEAR REGULATOR WITH PMBUS CAPABILITY



 	SCHEMATIC		
	HW TYPE : Customer Evaluation Z Product(s) : LT3074 : LT3074		
<small>THIS DRAWING IS THE PROPERTY OF ANALOG DEVICES INC. IT IS NOT TO BE REPRODUCED OR COPIED, IN WHOLE OR IN PART, OR USED IN ANY MANNER THAT WOULD BE DETRIMENTAL TO THE INTERESTS OF ANALOG DEVICES. THE EQUIPMENT SHOWN HEREIN MAY BE PROTECTED BY PATENTS OWNED OR CONTROLLED BY ANALOG DEVICES.</small>	DESIGN VIEW <DESIGN_VIEW>	DRAWING NO. 02_072506	REV C
	PTD ENGINEER B. GONZALES	SIZE D	SCALE 1:1

REVISIONS			
REV	DESCRIPTION	DATE	APPROVED



	SCHEMATIC		
	HW TYPE : Customer Evaluation Z Product(s): LT3074 : LT3074		
DESIGN VIEW <DESIGN_VIEW>	DRAWING NO. 02_072506	REV C	
PTD ENGINEER B. GONZALES	SIZE D	SCALE 1:1	SHEET 3 OF 3

THIS DRAWING IS THE PROPERTY OF ANALOG DEVICES INC. IT IS NOT TO BE REPRODUCED OR COPIED, IN WHOLE OR IN PART, OR USED IN FURNISHING INFORMATION TO OTHERS, OR FOR ANY OTHER PURPOSE DETRIMENTAL TO THE INTERESTS OF ANALOG DEVICES. THE EQUIPMENT SHOWN HEREIN MAY BE PROTECTED BY PATENTS OWNED OR CONTROLLED BY ANALOG DEVICES.