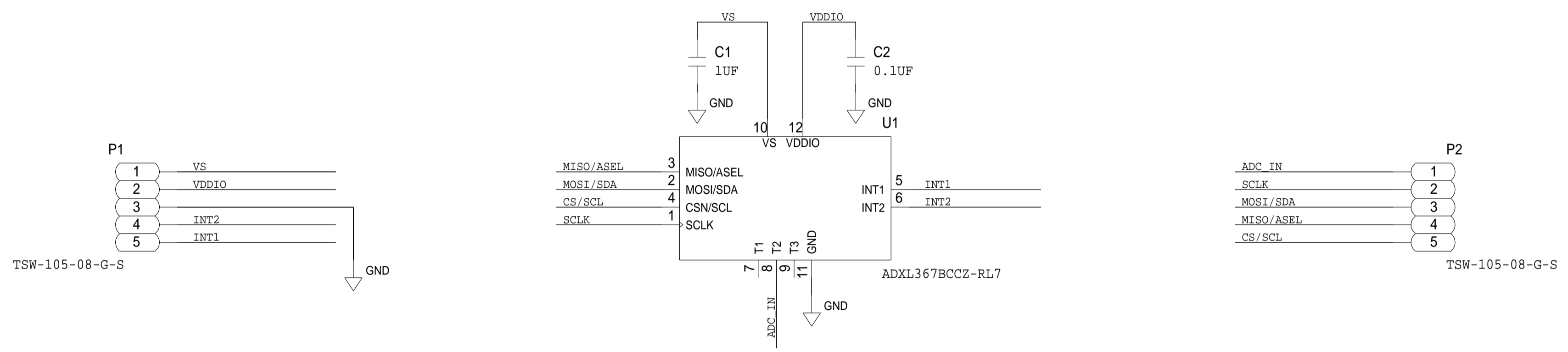


REVISIONS			
REV	DESCRIPTION	DATE	APPROVED



<p>THIS DRAWING IS THE PROPERTY OF ANALOG DEVICES INC. IT IS NOT TO BE REPRODUCED OR COPIED, IN WHOLE OR IN PART, OR USED IN FURNISHING INFORMATION TO OTHERS, OR FOR ANY OTHER PURPOSE DETRIMENTAL TO THE INTERESTS OF ANALOG DEVICES. THE EQUIPMENT SHOWN HEREON MAY BE PROTECTED BY PATENTS OWNED OR CONTROLLED BY OWNED ANALOG DEVICES.</p>	SCHEMATIC		
	HW TYPE : Customer Evaluation Z Product(s): ADXL367 : None		
	DESIGN VIEW <DESIGN_VIEW>	DRAWING NO. 02_069054	REV A
	PTD ENGINEER P. DELCORRO	SIZE C	SCALE 1:1
		SHEET 2 OF 2	