

6

5

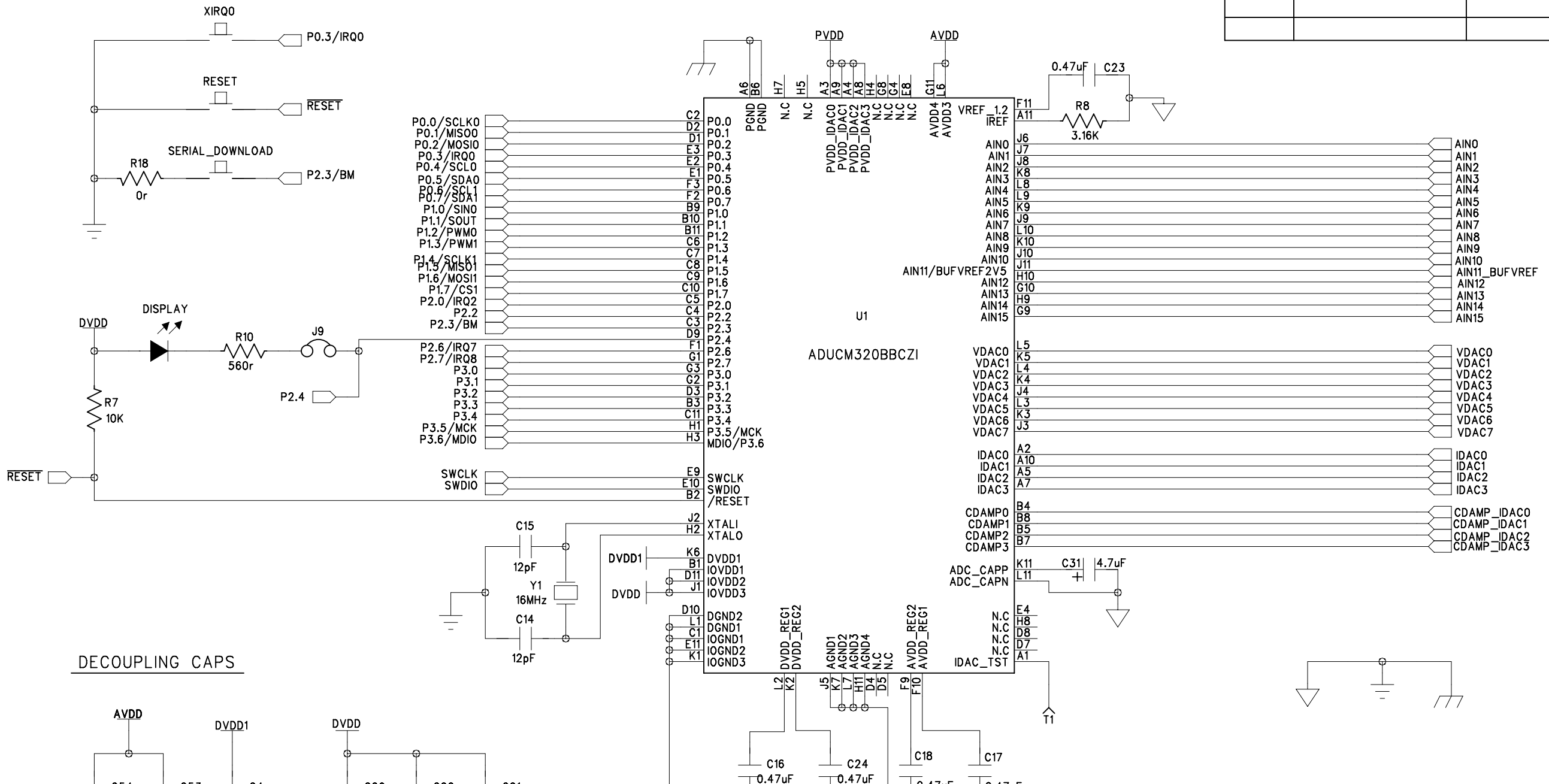
4

3

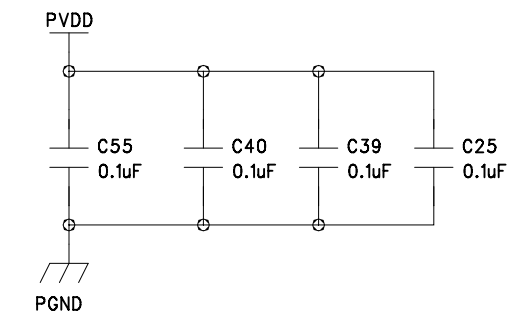
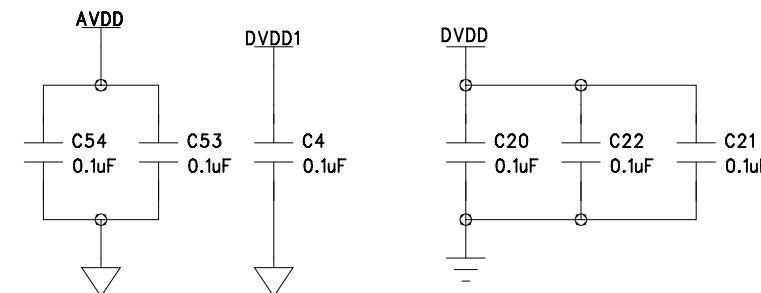
2

1

REVISION RECORD			
LTR	ECO NO:	APPROVED:	DATE:



**DECOUPLING CAPS**



COMPANY: ANALOG DEVICES

TITLE: ADuCM320i Eval Board Schematic  
Main Device/Socket

DRAWN: Alex Buda	DATED: 25/02/15
CHECKED: Alex Buda	DATED: 25/02/15
QUALITY CONTROL:	DATED:
RELEASED:	DATED:

CODE:	SIZE:	DRAWING NO: <b>02-040314</b>	REV: <b>A</b>
SCALE:			SHEET: 1 OF 7

6

5

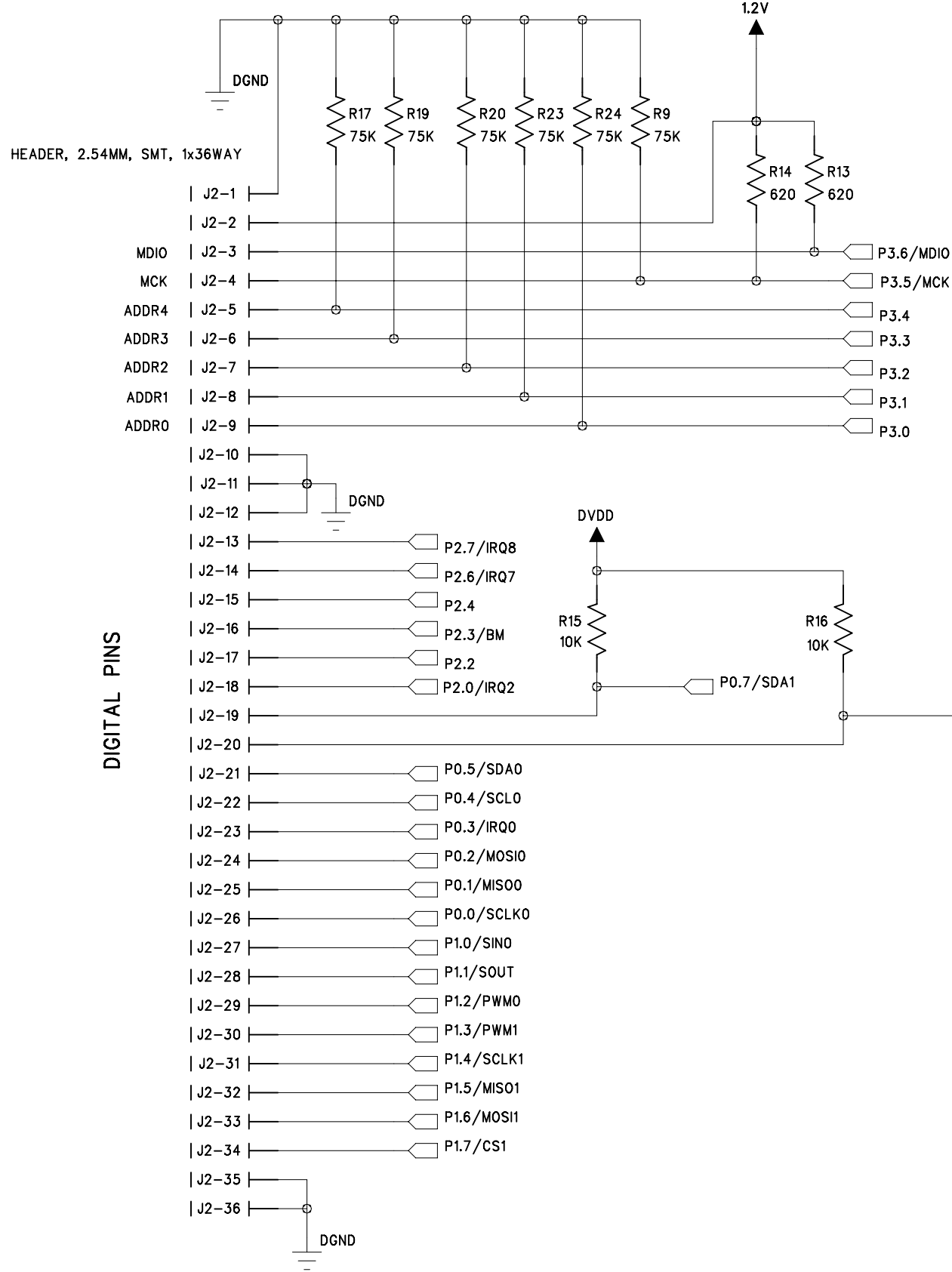
4

3

2

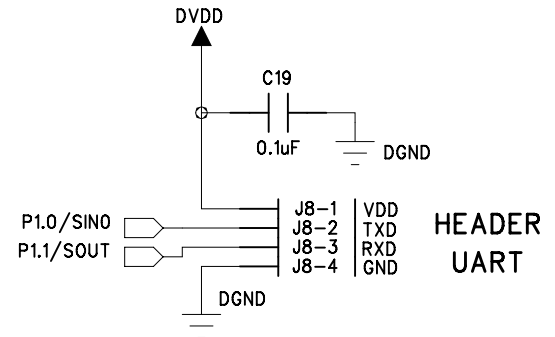
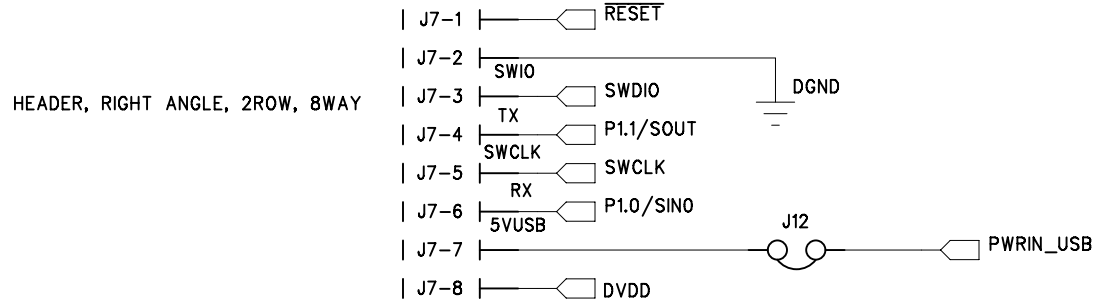
1

REVISION RECORD			
LTR	ECO NO:	APPROVED:	DATE:



DIGITAL PINS

INTERFACE BOARD CONNECTOR  
For Serial Wire programming/debug



COMPANY: ANALOG DEVICES			
TITLE: ADuCM320i Eval Board Schematic Digital I/O			
DRAWN: Alex Buda	DATED: 25/02/15	CODE:	SIZE:
CHECKED: Alex Buda	DATED: 25/02/15	DRAWING NO: 02-040314	
QUALITY CONTROL:	DATED:	REV: A	
RELEASED:	DATED:	SCALE:	
SHEET: 2			OF 7

DRAWN: Alex Buda	DATED: 25/02/15
CHECKED: Alex Buda	DATED: 25/02/15
QUALITY CONTROL:	DATED:
RELEASED:	DATED:

6

5

4

3

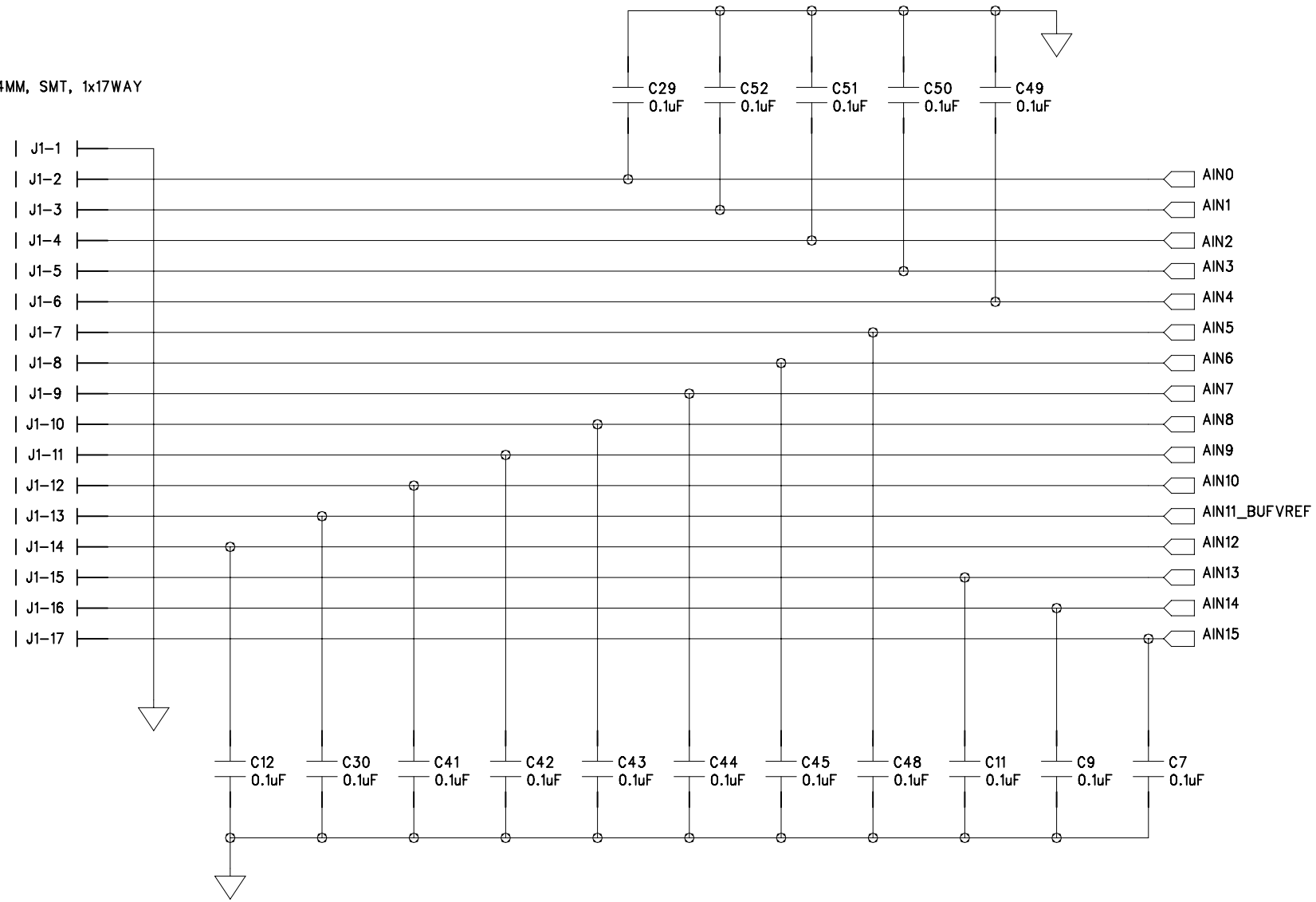
2

1

REVISION RECORD			
LTR	ECO NO:	APPROVED:	DATE:

HEADER, 2.54MM, SMT, 1x17WAY

ANALOG I/O



COMPANY: ANALOG DEVICES			
TITLE: ADuCM320i Eval Board Schematic ADC - Connector			
CODE:	SIZE:	DRAWING NO: 02-040314	REV: A
SCALE:			SHEET: 3 OF 7

DRAWN: Alex Buda	DATED: 25/02/15
CHECKED: Alex Buda	DATED: 25/02/15
QUALITY CONTROL:	DATED:
RELEASED:	DATED:

D

C

B

A

D

C

B

A

6

5

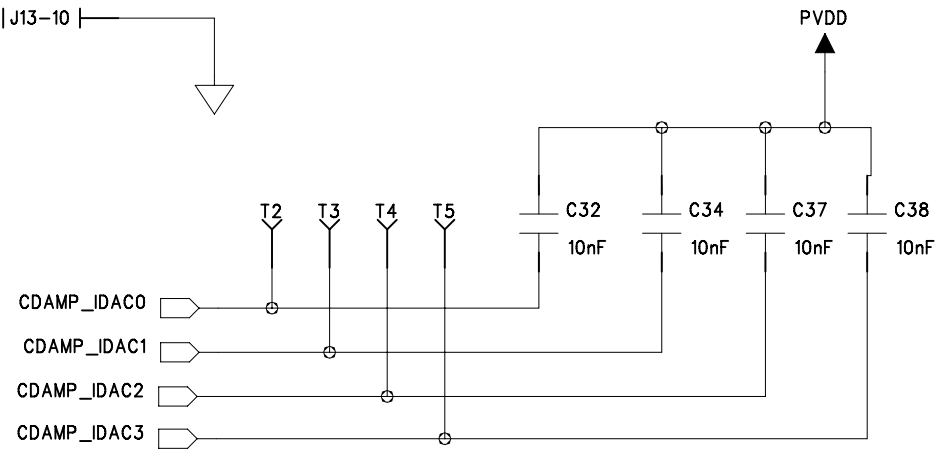
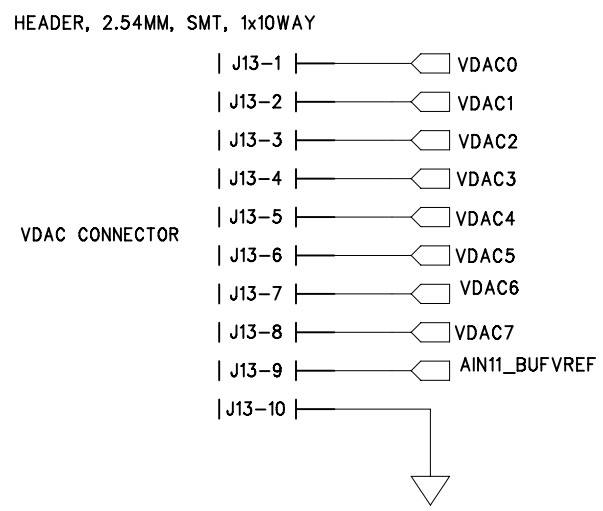
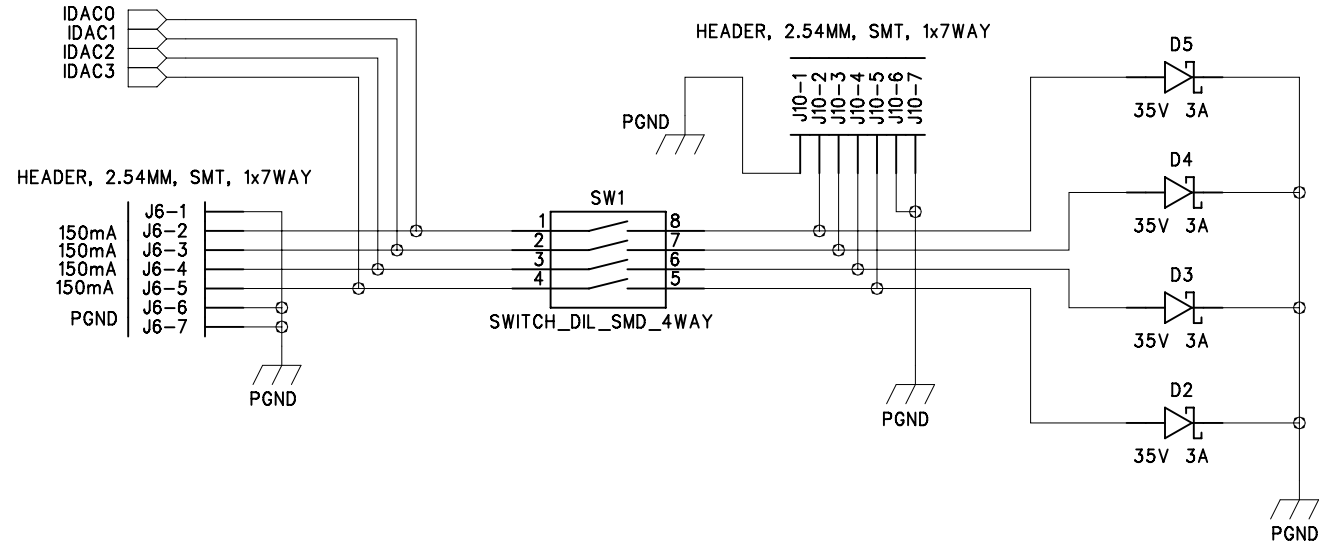
4

3

2

1

REVISION RECORD			
LTR	ECO NO:	APPROVED:	DATE:



COMPANY: ANALOG DEVICES			
TITLE: ADuCM320i Eval Board Schematic IDAC/VDAC			
CODE:	SIZE:	DRAWING NO:	REV:
		02-040314	A
SCALE:			SHEET: 4 OF 7

DRAWN: Alex Buda	DATED: 25/02/15
CHECKED: Alex Buda	DATED: 25/02/15
QUALITY CONTROL:	DATED:
RELEASED:	DATED:

D

D

C

C

B

B

A

A

6

5

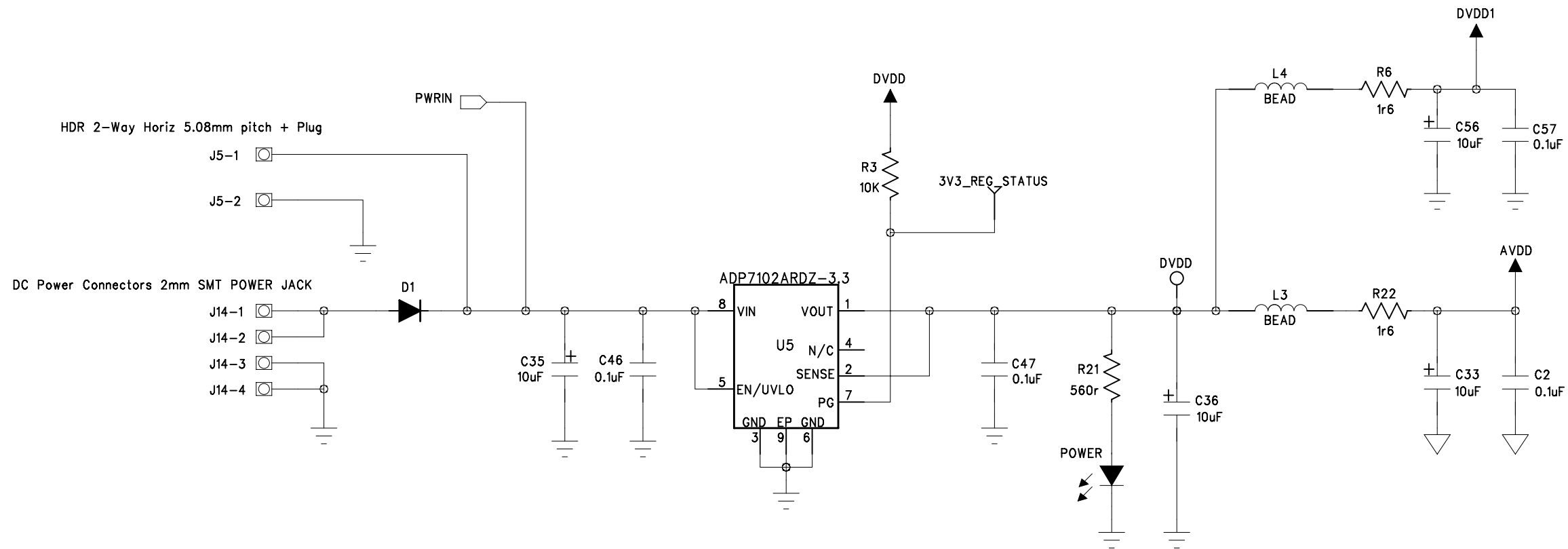
4

3

2

1

REVISION RECORD			
LTR	ECO NO:	APPROVED:	DATE:



COMPANY:				ANALOG DEVICES			
TITLE: ADuCM320i Eval Board Schematic POWER-1							
DRAWN: Alex Buda		DATED: 25/02/15		CODE:		SIZE:	
CHECKED: Alex Buda		DATED: 25/02/15		DRAWING NO:		REV:	
QUALITY CONTROL:		DATED:		02-040314		A	
RELEASED:		DATED:		SCALE:			
				SHEET: 5 OF 7			

D

D

C

C

B

B

A

A

6

5

4

3

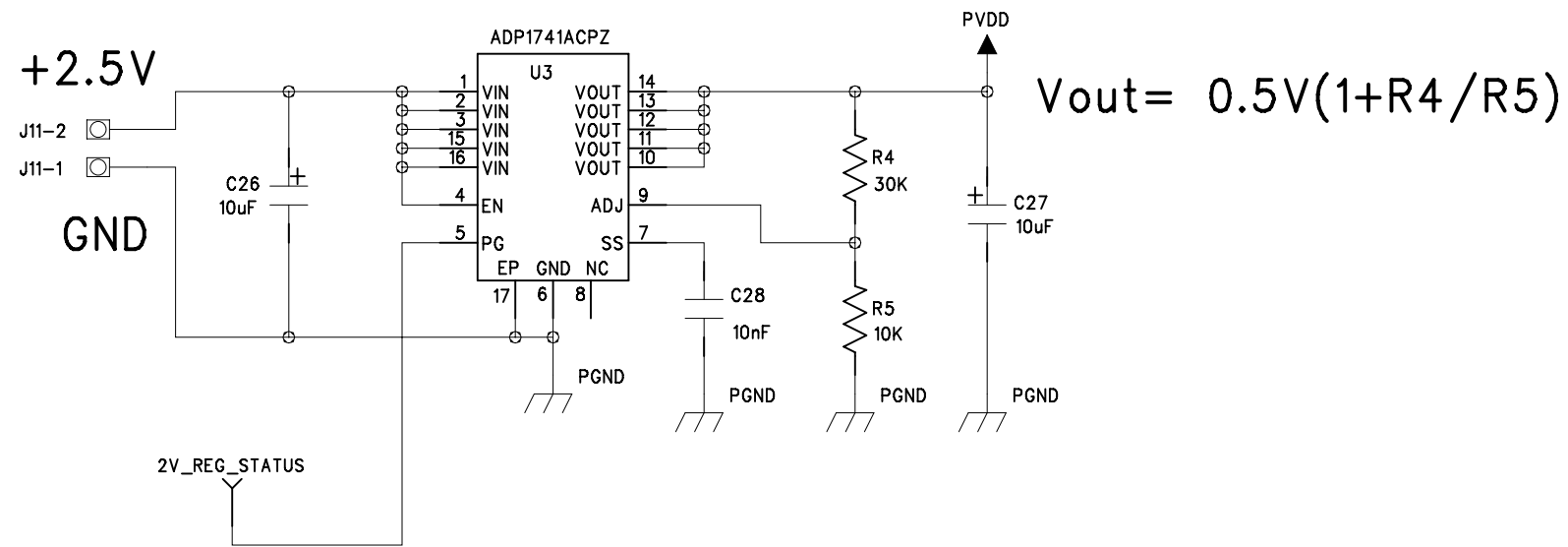
2

1

REVISION RECORD			
LTR	ECO NO:	APPROVED:	DATE:

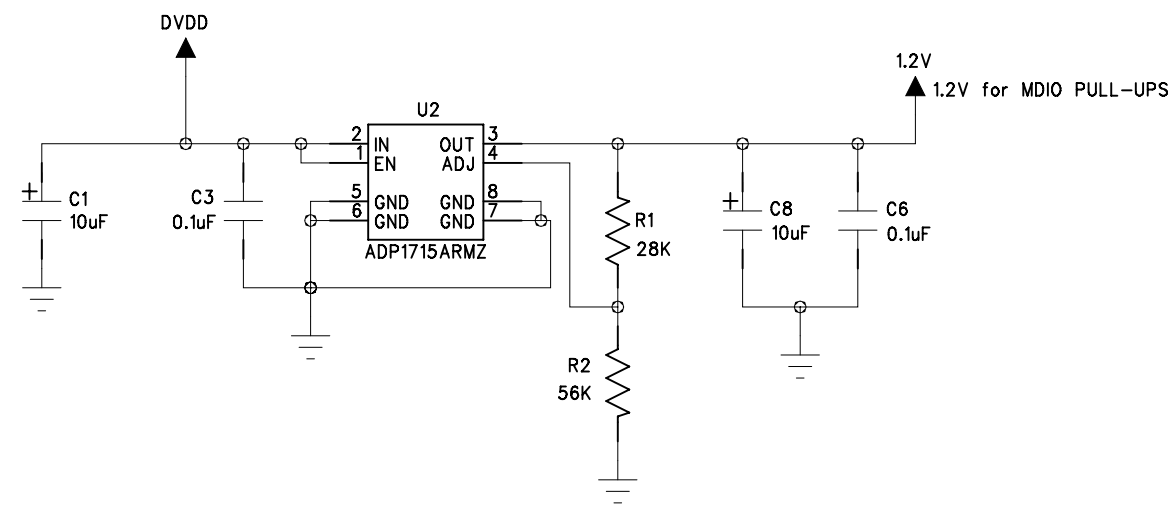
D

D



C

C



B

B

A

A

HEADER, RIGHT ANGLE, 3.81MM, 2WAY + PLUG

+2.5V

J11-2

J11-1

GND

2V\_REG\_STATUS

ADP1741ACPZ

U3

PVDD

$V_{out} = 0.5V(1+R4/R5)$

DVDD

1.2V

1.2V for MDIO PULL-UPS

U2

C1

C3

R1

R2

C8

C6

COMPANY:

ANALOG DEVICES

TITLE:

ADuCM320i Eval Board Schematic  
POWER-2

DRAWN:

Alex Buda

DATED:

25/02/15

CHECKED:

Alex Buda

DATED:

25/02/15

QUALITY CONTROL:

DATED:

RELEASED:

DATED:

CODE:

SIZE:

DRAWING NO:

REV:

02-040314

A

SCALE:

SHEET: 6 OF 7

6

5

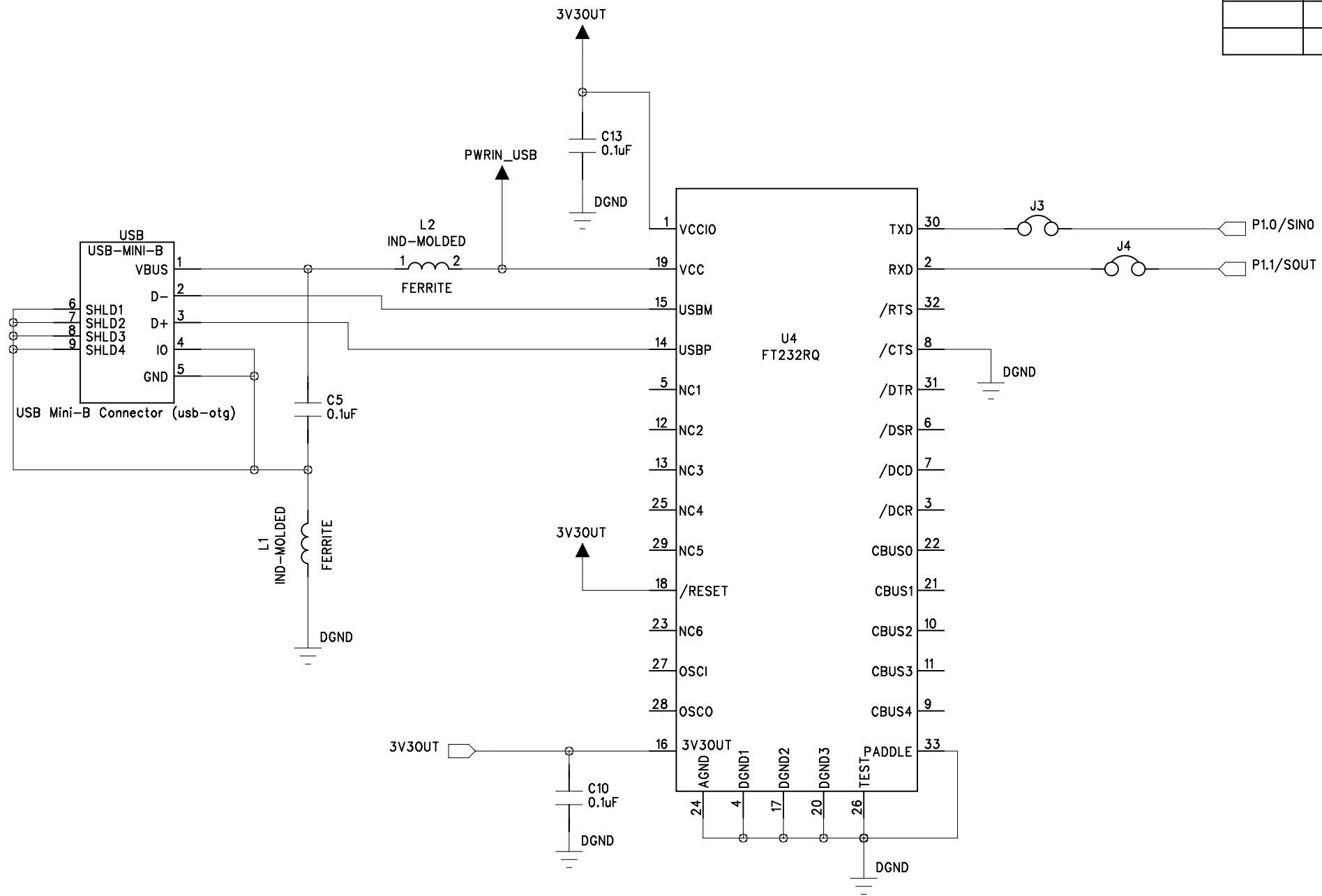
4

3

2

1

REVISION RECORD			
LTR	ECO NO:	APPROVED:	DATE:



COMPANY: ANALOG DEVICES			
TITLE: ADuCM320i Eval Board Schematic UART-USB			
CODE:	SIZE:	DRAWING NO: <b>02-040314</b>	REV: <b>A</b>
SCALE:			SHEET: 7 OF 7

DRAWN: Alex Buda	DATED: 25/02/15
CHECKED: Alex Buda	DATED: 25/02/15
QUALITY CONTROL:	DATED:
RELEASED:	DATED:

D

D

C

C

B

B

A

A