

### RELAY CONTROL CHART

CONTROL	CODE	DEVICE	FUNCTION	CONNECTOR

### JUMPER TABLE

JP#	ON	OFF
1		
2		
3		
4		
5		

\* SEE ASSEMBLY INSTRUCTIONS

### REVISIONS

REV	DESCRIPTION	DATE	APPROVED

# SCHEMATIC



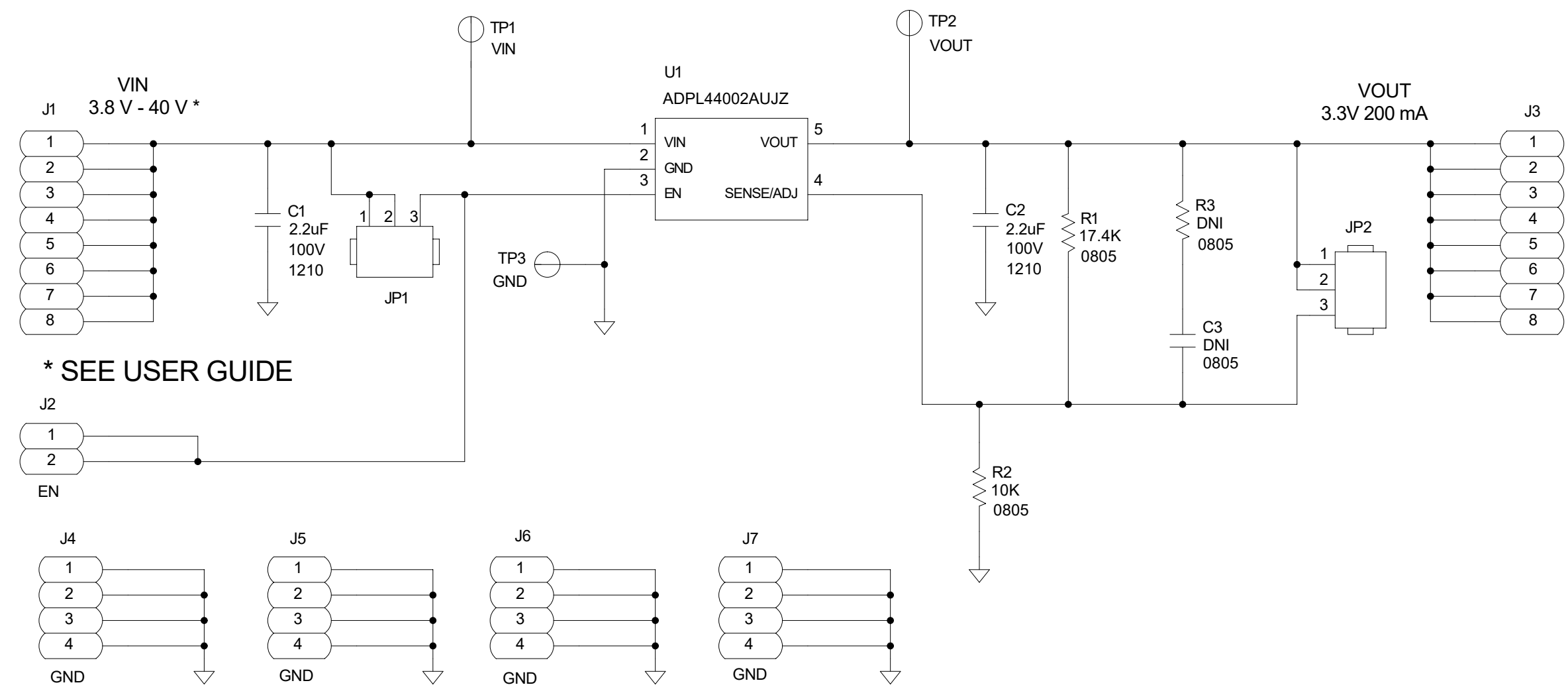
HW TYPE : Customer Evaluation  
 PACKAGE : LeadCount-lead BodySize TSOT-family  
 : Pitch-pitch StyleVendor Style  
 <User Define>  
 <User Define>  
 <User Define>  
 GENERIC\_C\_SIZE\_FORMAT  
 Product(s): ADPL44002

P.O SPEC.	BK/BD SPEC.	SOCKET OEM	OEM PART#	HANDLER

TEMPLATE ENGINEER B.PHILLIPS	DATE 30MAR21
HARDWARE SERVICES B.MACDONALD	30MAR21
HARDWARE SYSTEMS D.WILLIAMS	30MAR21
TEST ENGINEER N/A	
COMPONENT ENGINEER ADGT LIBRARY	30MAR21
TEST PROCESS N/A	
HARDWARE RELEASE -	
DESIGNER -	
PTD ENGINEER -	
CHECKER -	

MASTER PROJECT TEMPLATE \$MASTER_PROJECT_TEMPLATE	TESTER TEMPLATE \$TESTER_TEMPLATE	DRAWING NO. 02_083216	REV. A
UNLESS OTHERWISE SPECIFIED DIMENSIONS ARE IN INCHES			
TOLERANCES		SIZE C	SCALE 1:1
DECIMALS X.XX +0.010 X.XXX +0.005	FRACTIONS +1/32	ANGLES +2	CODE ID NO. CodeID
SHEET 1 OF 2			

REVISIONS			
REV	DESCRIPTION	DATE	APPROVED



THIS DRAWING IS THE PROPERTY OF ANALOG DEVICES INC.  
 IT IS NOT TO BE REPRODUCED OR COPIED, IN WHOLE OR  
 IN PART, OR USED IN FURNISHING INFORMATION TO OTHERS,  
 OR FOR ANY OTHER PURPOSE DETRIMENTAL TO THE INTERESTS  
 OF ANALOG DEVICES.  
 THE EQUIPMENT SHOWN HEREON MAY BE PROTECTED BY PATENTS  
 OWNED OR CONTROLLED BY OWNED ANALOG DEVICES.

**SCHEMATIC**

HW TYPE : Customer Evaluation			
Product(s): ADPL44002			
: N/A			
DESIGN VIEW	DRAWING NO.		REV
\$DESIGN_VIEW	02_083216		A
PTDENGINEER	SIZE	SCALE	SHEET 2 OF 2
-	C	1:1	