

8

7

6

5

4

3

2

1

THIS DRAWING IS THE PROPERTY OF ANALOG DEVICES INC. IT IS NOT TO BE REPRODUCED OR COPIED, IN WHOLE OR IN PART, OR USED IN FURNISHING INFORMATION TO OTHERS, OR FOR ANY OTHER PURPOSE DETRIMENTAL TO THE INTERESTS OF ANALOG DEVICES. THE EQUIPMENT SHOWN HEREON MAY BE PROTECTED BY PATENTS OWNED OR CONTROLLED BY ANALOG DEVICES.

JUMPER TABLE		
JP#	ON	OFF
1		
2		
3		
4		
5		

REVISIONS			
REV	DESCRIPTION	DATE	APPROVED
A	INITIAL RELEASE	04MAR21	W. HUANG
B	CHANGES PER ECR-108050	04APR22	B. HEMP
C	CHANGES PER ECR-112397	21MAR23	D. DEVINEN

RELAY CONTROL CHART

CONTROL	CODE	DEVICE	FUNCTION	CONNECTOR

\* SEE ASSEMBLY INSTRUCTIONS

D

C

B

A

D

C

B

A

P.O SPEC.	BK/BD SPEC.	SOCKET OEM	OEM PART#	HANDLER

8

7

6

5

4

3

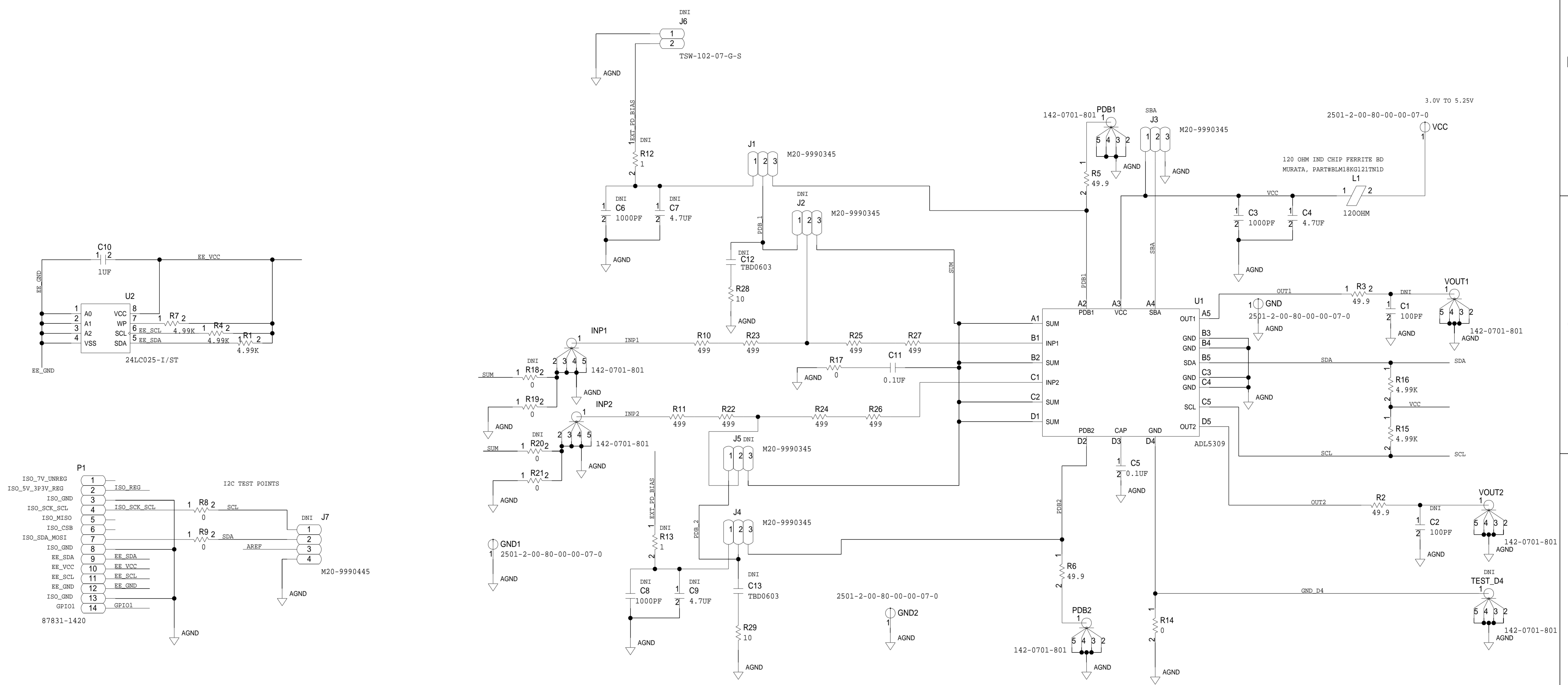
2

1

TEMPLATE ENGINEER	DATE	<b>SCHEMATIC</b>			
-		HW TYPE : Customer Evaluation z			
HARDWARE SERVICES M. VALE	04MAR21	Product(s): ADL5309			
HARDWARE SYSTEMS -		: Dual Log Converter			
TEST ENGINEER -		PACKAGE : 20-lead N/A WLCSP-family			
COMPONENT ENGINEER M. YAN	04MAR21	: Pitch-pitch StyleVendor Style			
TEST PROCESS -		<User Define>			
HARDWARE RELEASE K. JABATAN	04MAR21	<User Define>			
DESIGNER R. PLANADA	04MAR21	MASTER PROJECT TEMPLATE TBD	TESTER TEMPLATE no_template	DRAWING NO. 02_067416	
PTD ENGINEER B. HEMP	04MAR21	UNLESS OTHERWISE SPECIFIED DIMENSIONS ARE IN INCHES			REV. C
CHECKER -		TOLERANCES DECIMALS X.XX +0.010 FRACTIONS +1/32 ANGLES +2			SIZE D
		SCALE 1:1	CODE ID NO. CodeID	SHEET 1	OF 2

↑

REVISIONS			
REV	DESCRIPTION	DATE	APPROVED



	<b>SCHEMATIC</b>		
	HW TYPE : Customer Evaluation z Product(s): ADL5309 : Dual Log Converter		
	DESIGN VIEW <DESIGN_VIEW>	DRAWING NO. 02_067416	REV C
	PTD ENGINEER B. HEMP	SIZE D	SCALE 1:1
		SHEET 2	OF 2

THIS DRAWING IS THE PROPERTY OF ANALOG DEVICES INC. IT IS NOT TO BE REPRODUCED OR COPIED, IN WHOLE OR IN PART, OR USED IN ANY MANNER FOR THE PROMOTION OF ANY OTHER PRODUCT OR SERVICE, WITHOUT THE WRITTEN PERMISSION OF ANALOG DEVICES. THE EQUIPMENT SHOWN HEREIN MAY BE PROTECTED BY PATENTS OWNED OR CONTROLLED BY ANALOG DEVICES.