

THIS DRAWING IS THE PROPERTY OF ANALOG DEVICES INC. IT IS NOT TO BE REPRODUCED OR COPIED, IN WHOLE OR IN PART, OR USED IN FURNISHING INFORMATION TO OTHERS, OR FOR ANY OTHER PURPOSE DETRIMENTAL TO THE INTERESTS OF ANALOG DEVICES. THE EQUIPMENT SHOWN HEREON MAY BE PROTECTED BY PATENTS OWNED OR CONTROLLED BY ANALOG DEVICES.

JUMPER TABLE		
JP#	ON	OFF
1		
2		
3		
4		
5		

REVISIONS			
REV	DESCRIPTION	DATE	APPROVED
A	INITIAL RELEASE	18MAY20	N/A
A1	AS PER ECR-099659	19NOV20	M.RECIO

RELAY CONTROL CHART

CONTROL	CODE	DEVICE	FUNCTION	CONNECTOR

\* SEE ASSEMBLY INSTRUCTIONS

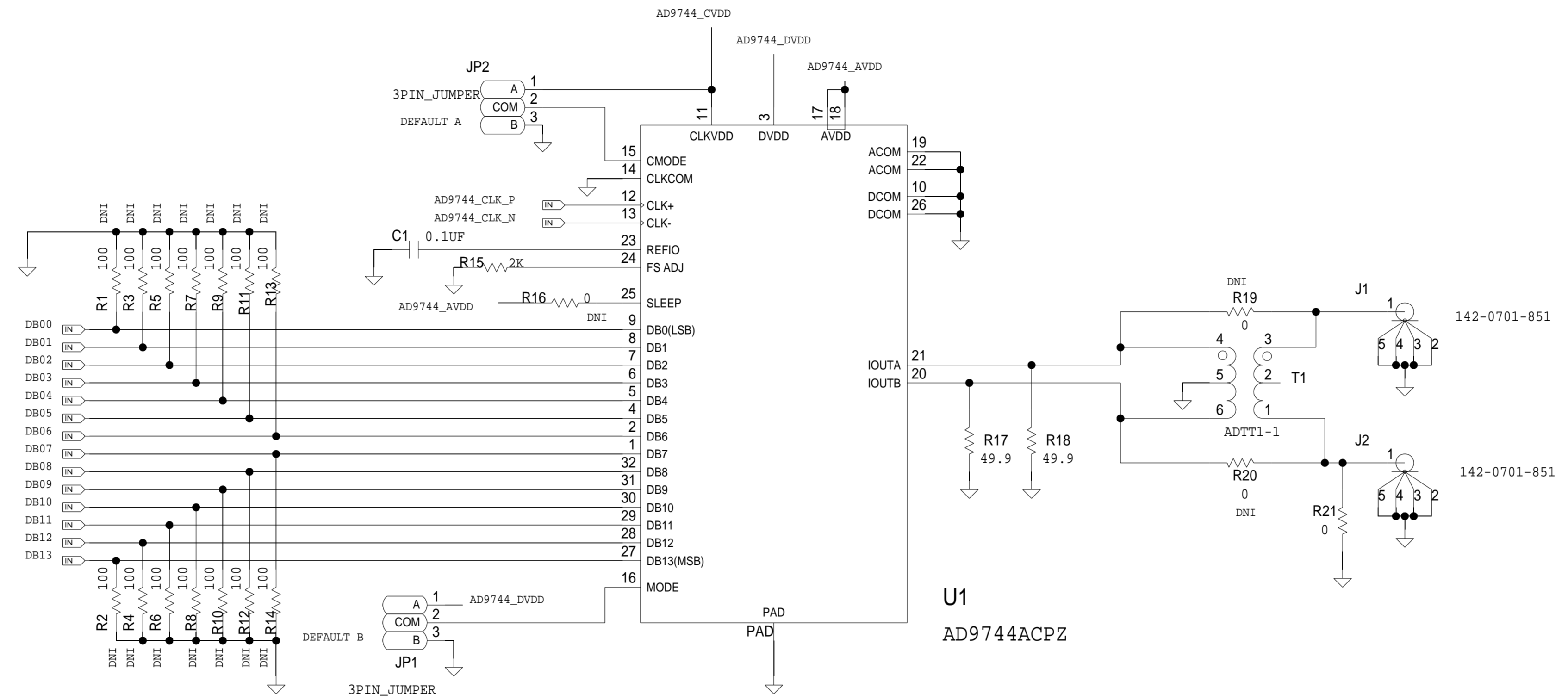


P.O SPEC.	BK/BD SPEC.	SOCKET OEM	OEM PART#	HANDLER

TEMPLATE ENGINEER	DATE	<b>SCHEMATIC</b>							
HARDWARE SERVICES									
HARDWARE SYSTEMS		HW TYPE : Customer Evaluation Z							
TEST ENGINEER		Product(s): AD9744							
COMPONENT ENGINEER		: N/A							
TEST PROCESS		PACKAGE : LeadCount-lead BodySize PackageType-family							
HARDWARE RELEASE		: Pitch-pitch StyleVendor Style							
DESIGNER	18MAY20	MODEL NAME: AD9744-FMC-EBZ							
PTD ENGINEER		<User Define>							
CHECKER		<User Define>							
		MASTER PROJECT TEMPLATE	TESTER TEMPLATE	DRAWING NO.	REV.				
		TBD	no_template						
		UNLESS OTHERWISE SPECIFIED DIMENSIONS ARE IN INCHES			02_064131	B			
		TOLERANCES							
		DECIMALS	FRACTIONS	ANGLES	SIZE	SCALE	CODE ID NO.	SHEET 1	OF 4
		X.XX +0.010	+1/32	+2					
		X.XXX +0.005							

REVISIONS			
REV	DESCRIPTION	DATE	APPROVED

# DUT - AD9744

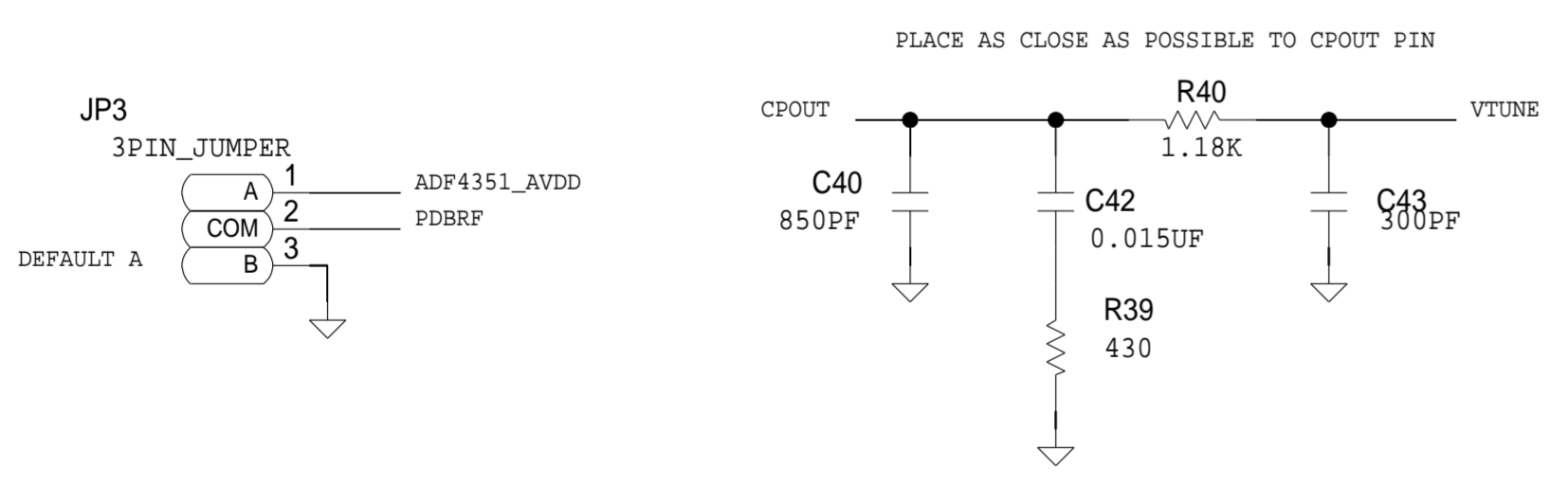
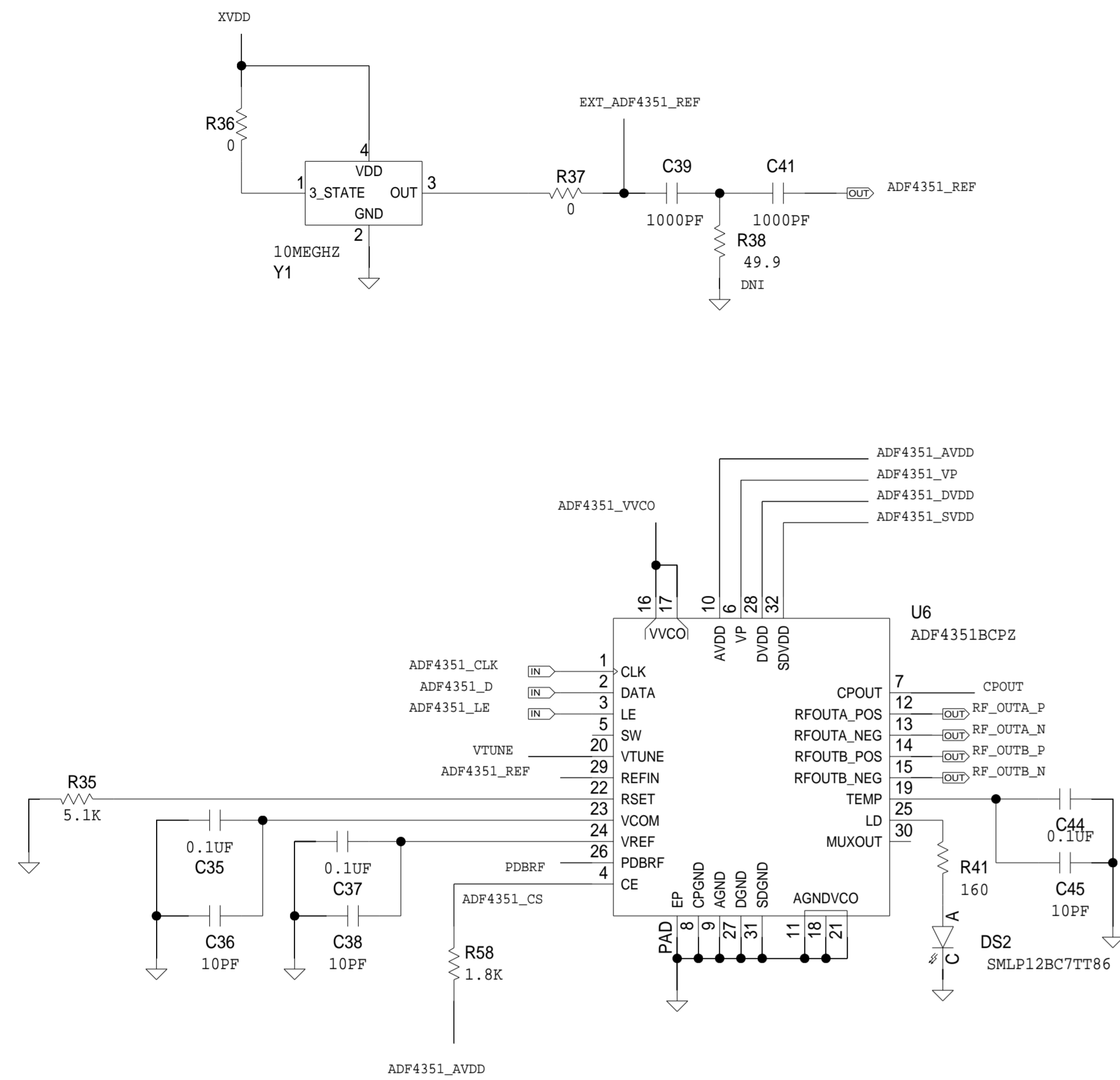


FMC Pin	AD9744	AD9742	AD9740	AD9748
G9 (MSB)	DB13	DB11	DB09	DB07
G10	DB12	DB10	DB08	DB06
H10	DB11	DB09	DB07	DB05
C10	DB10	DB08	DB06	DB04
H11	DB09	DB07	DB05	DB03
D11	DB08	DB06	DB04	DB02
G12	DB07	DB05	DB03	DB01
H13	DB06	DB04	DB02	DB00
G13	DB05	DB03	DB01	
H14	DB04	DB02	DB00	
C11	DB03	DB01		
D12	DB02	DB00		
D14	DB01			
D15	DB00			

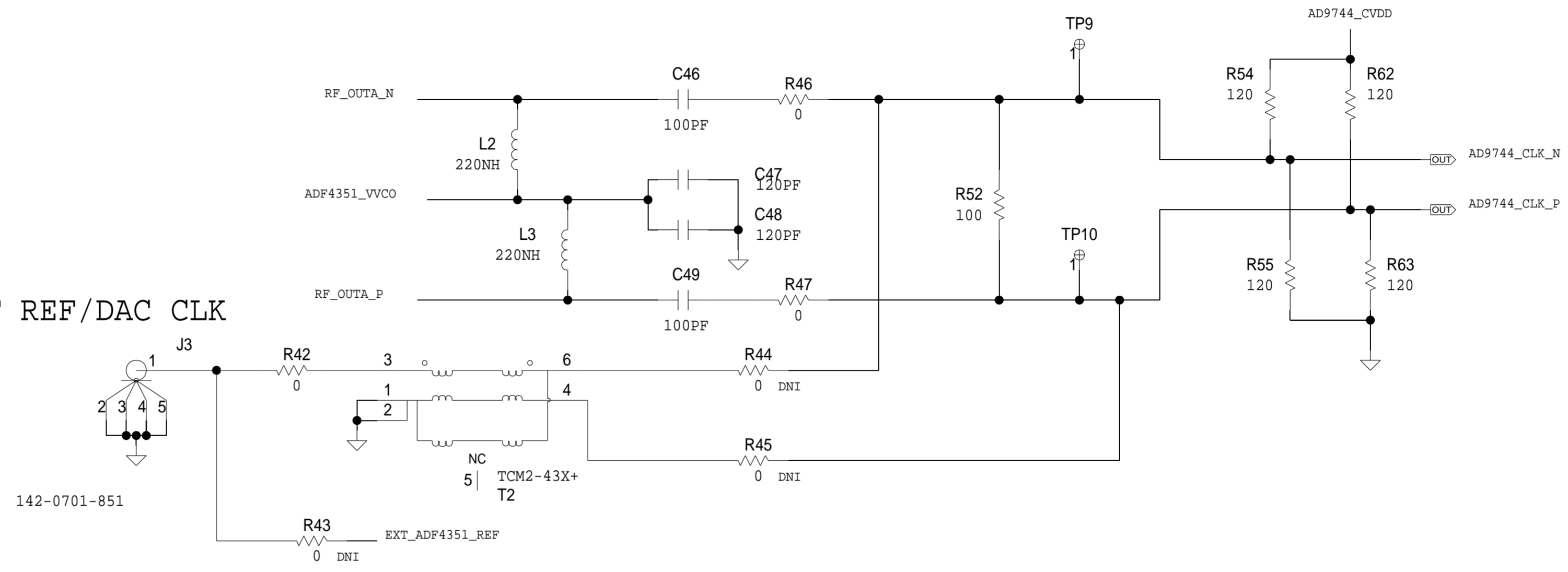
	<b>SCHEMATIC</b>		
	HW TYPE : Customer Evaluation Z Product(s) : AD9744 : N/A		
DESIGN VIEW <DESIGN_VIEW>	DRAWING NO. 02_064131	REV B	
PTD ENGINEER <PTD_ENGINEER>	SIZE D	SCALE 1:1	SHEET 2 OF 4

REVISIONS			
REV	DESCRIPTION	DATE	APPROVED

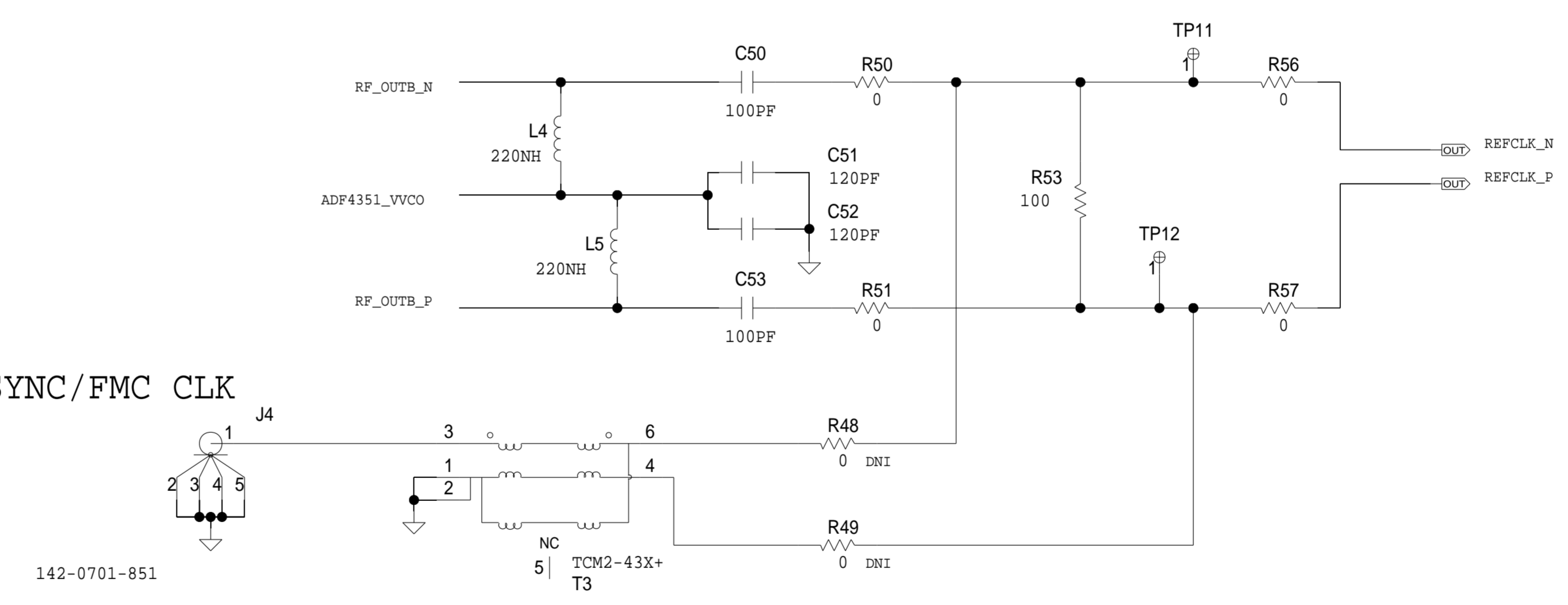
# ON-BOARD CLOCK



## EXT REF/DAC CLK



## SYNC/FMC CLK

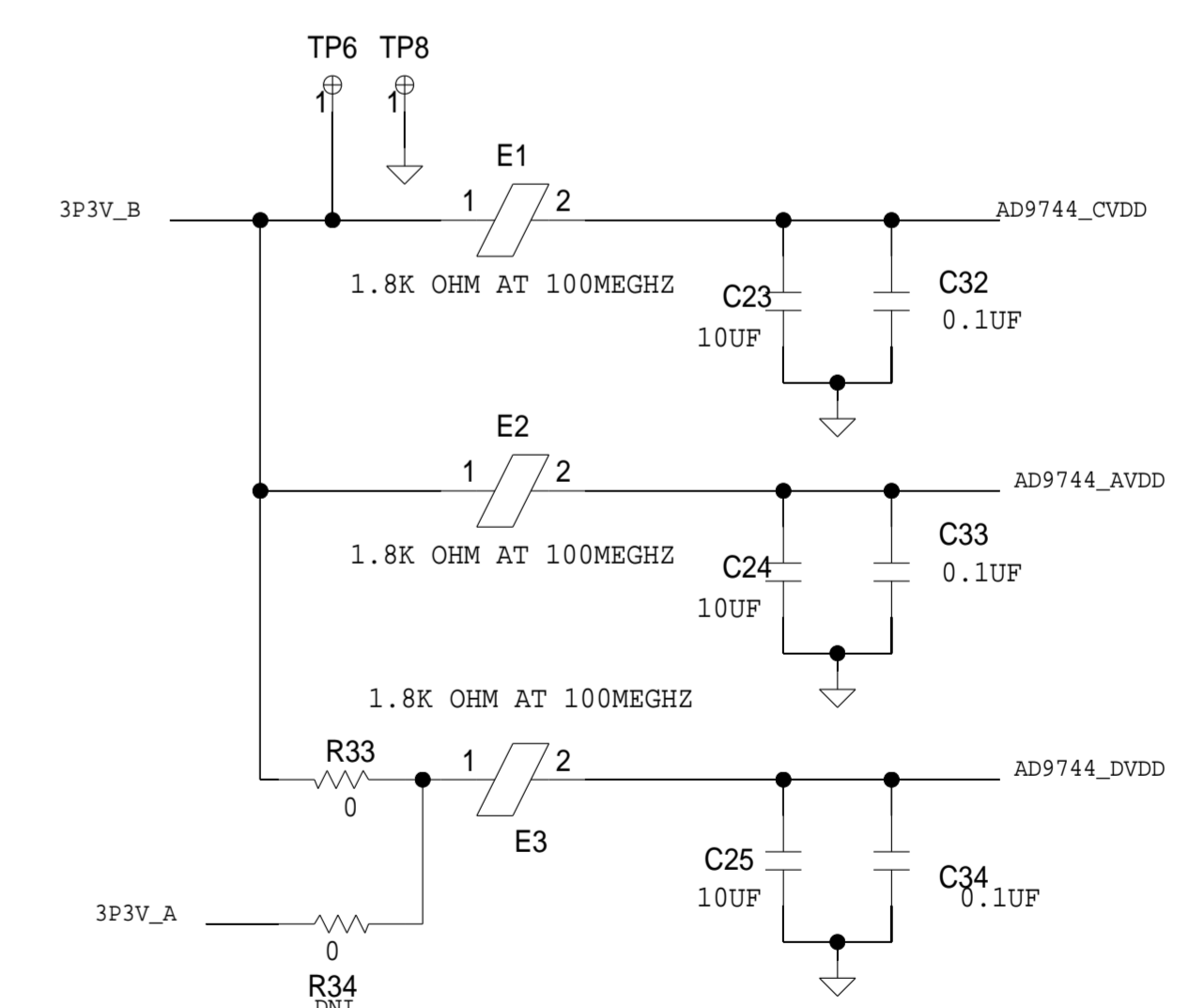
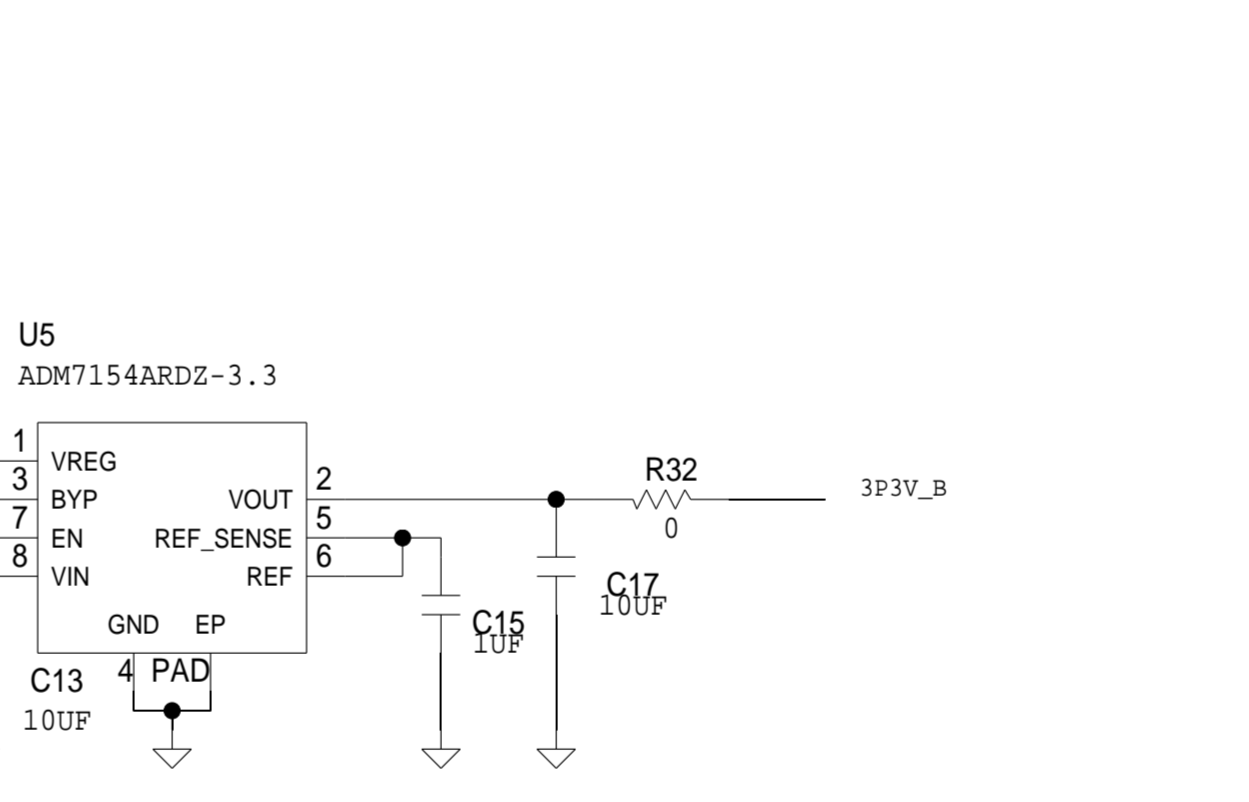
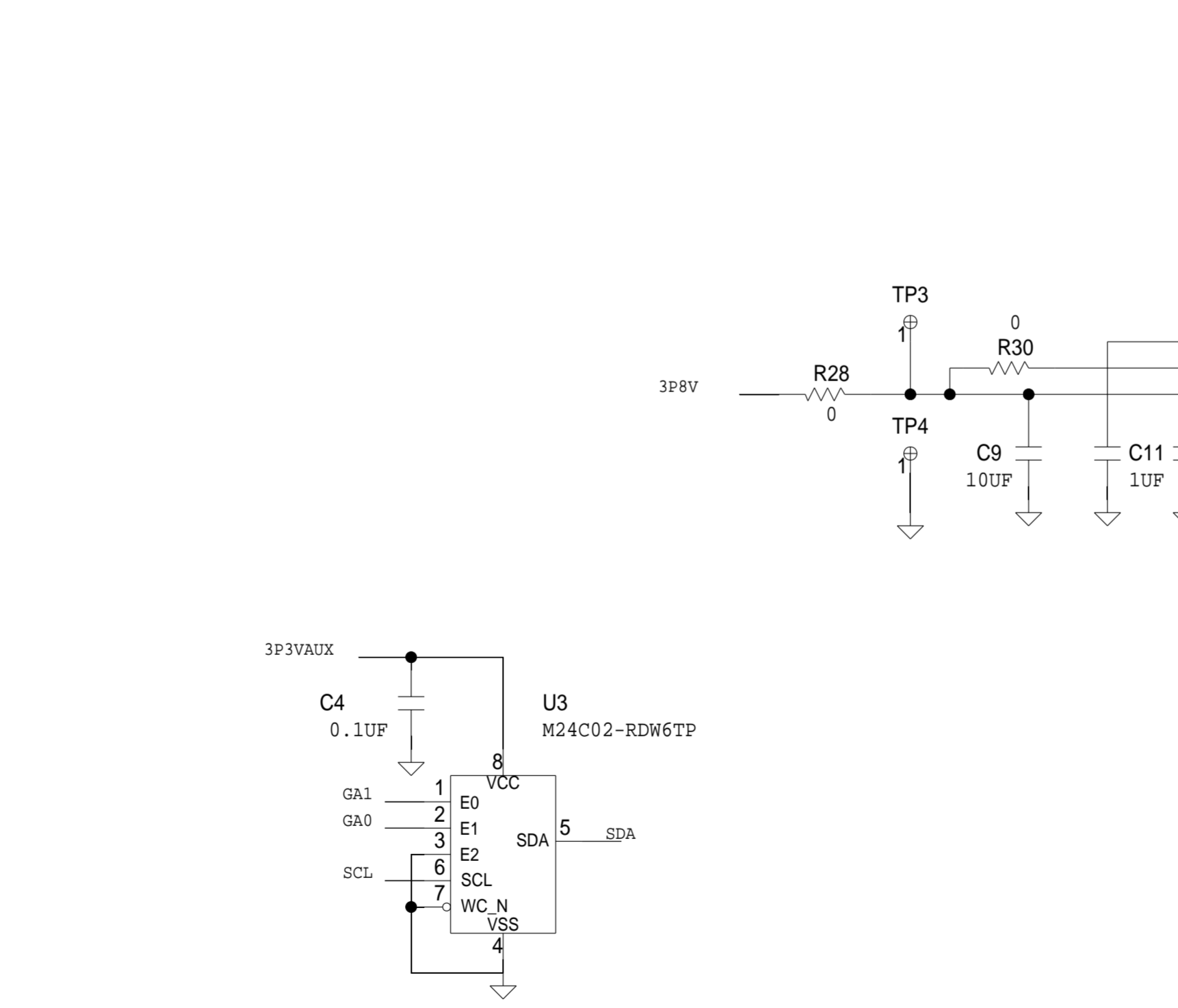
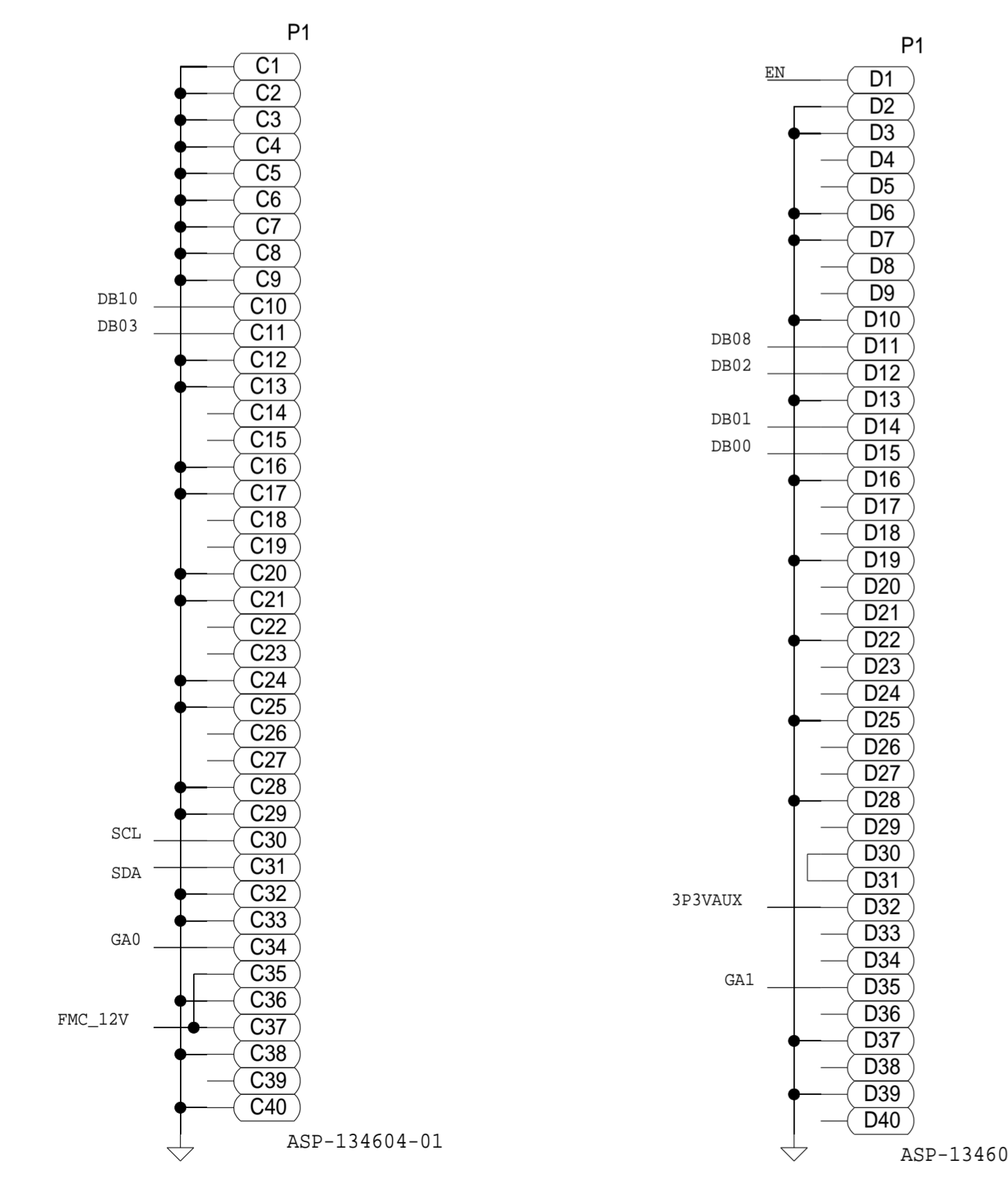
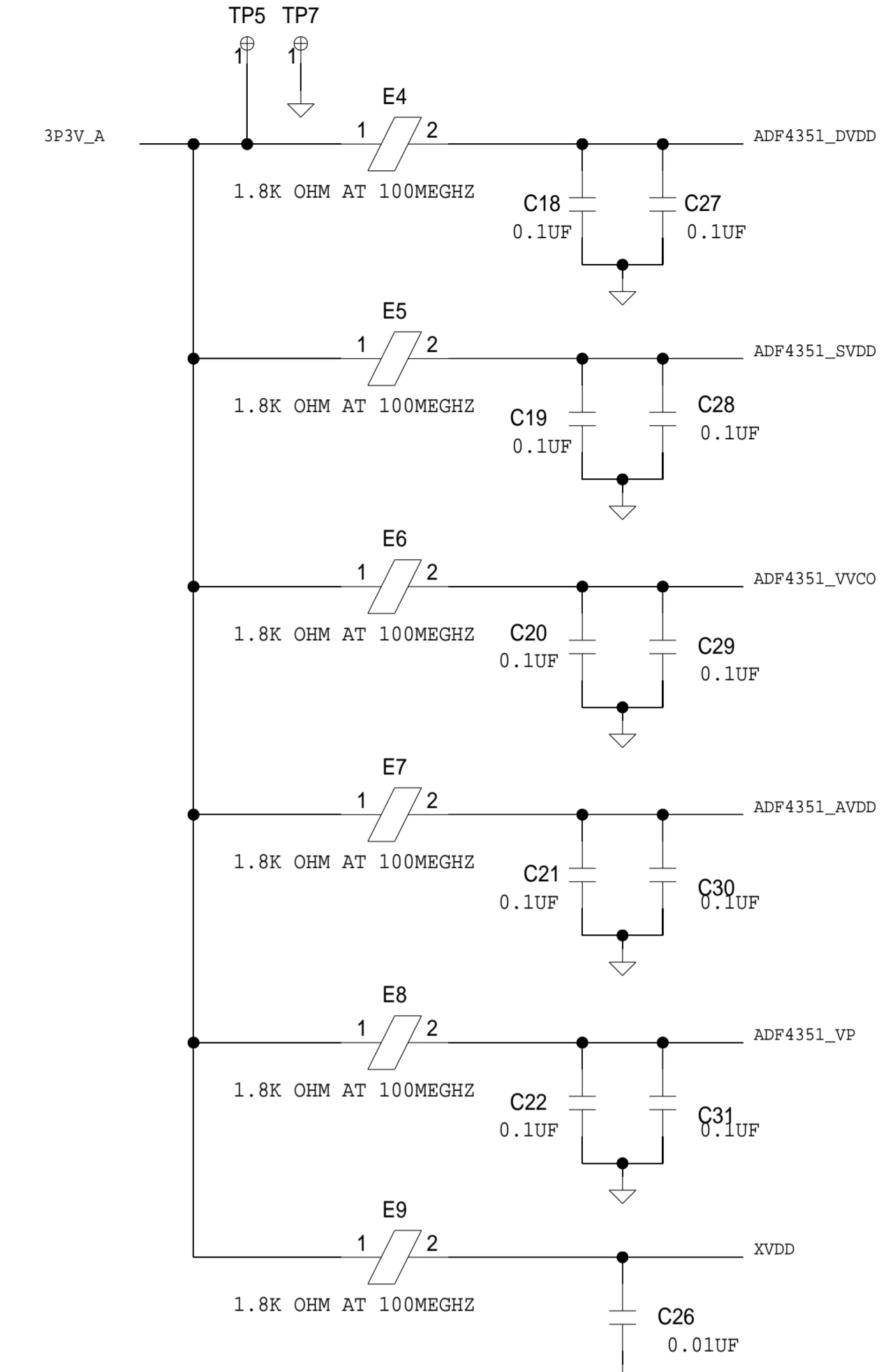
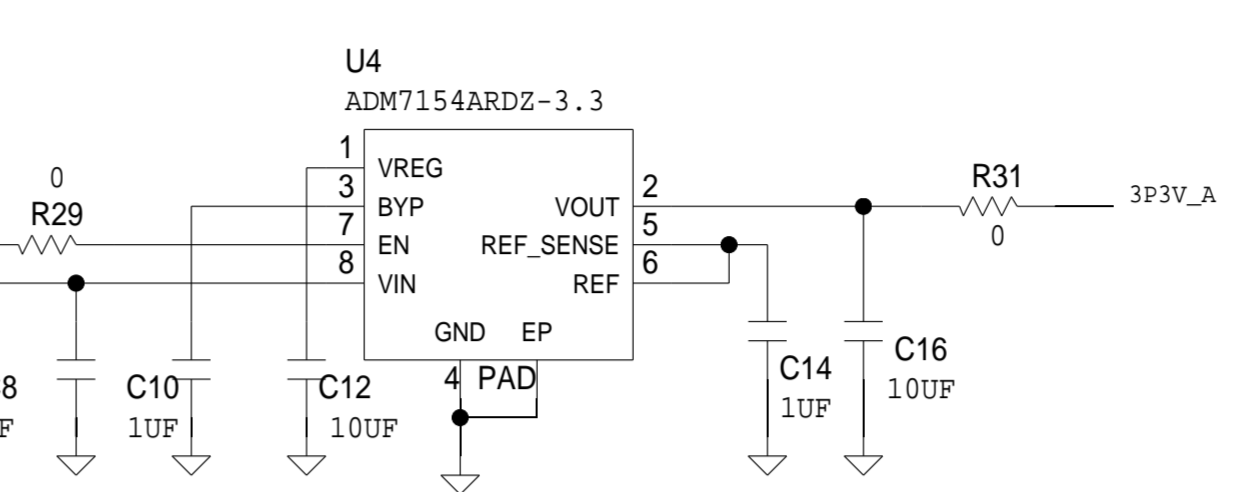
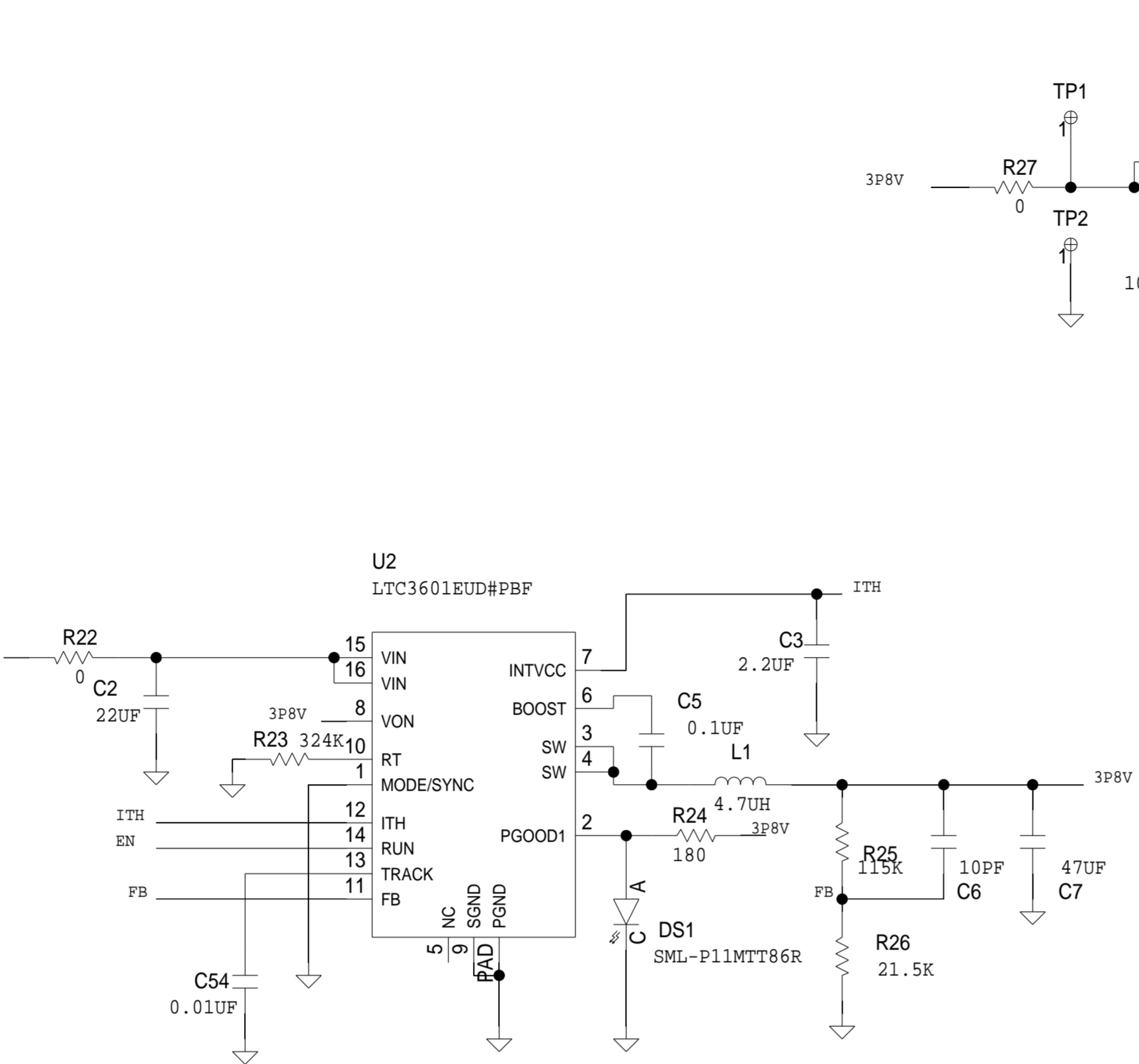
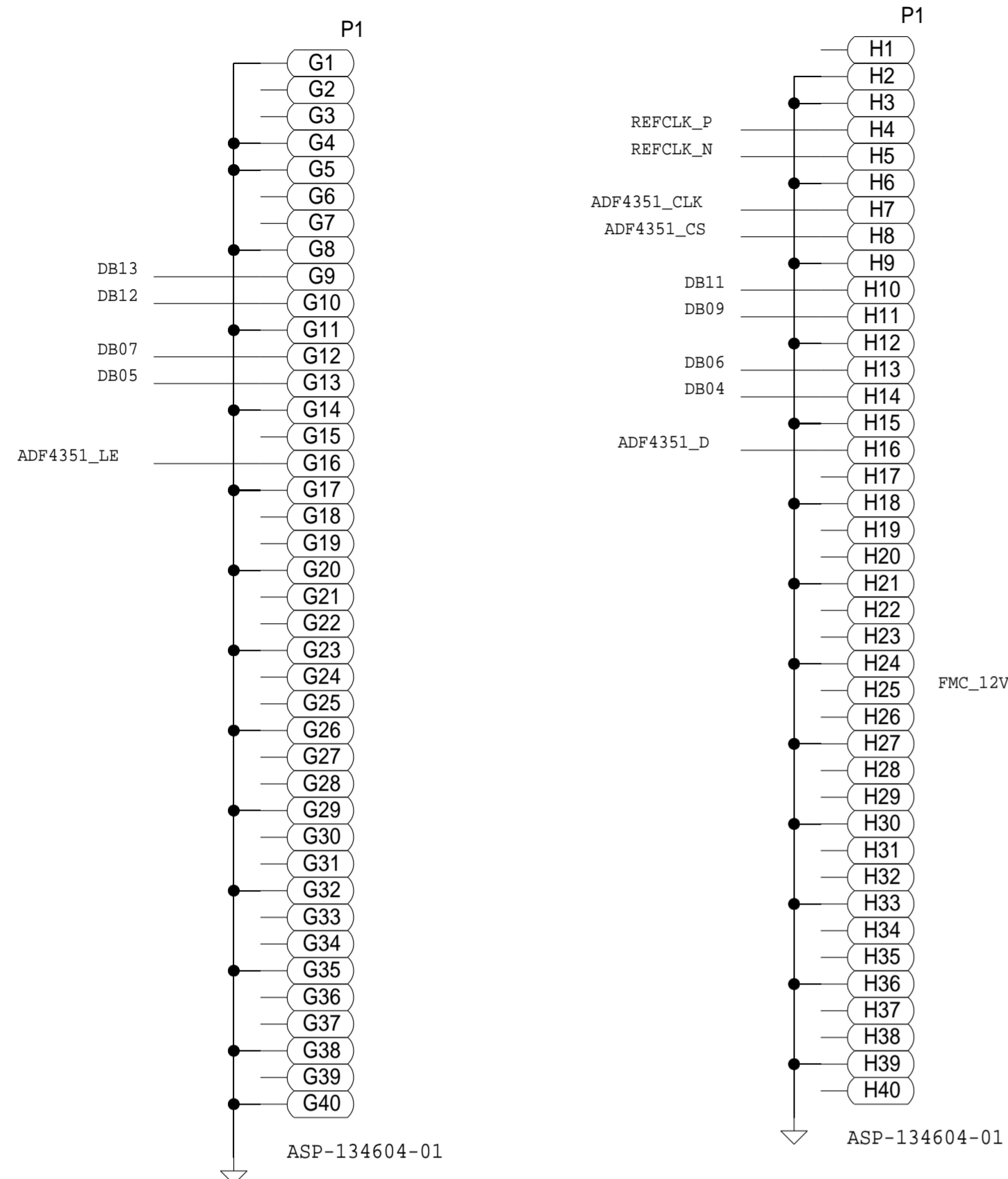


	<b>SCHEMATIC</b>		
	HW TYPE : Customer Evaluation Z Product(s) : AD9744 : N/A		
	DESIGN VIEW <DESIGN_VIEW>	DRAWING NO. 02_064131	REV B
	PTD ENGINEER <PTD_ENGINEER>	SIZE D	SCALE 1:1
		SHEET 3 OF 4	

# FMC AND POWER

REVISIONS			
REV	DESCRIPTION	DATE	APPROVED

PLACE DECOUPLING CAPS NEAR RESPECTIVE POWER PIN



	<b>SCHEMATIC</b>		
	HW TYPE : Customer Evaluation Z Product(s) : AD9744 : N/A		
	DESIGN VIEW <DESIGN_VIEW>	DRAWING NO. 02_064131	REV B
	PTD ENGINEER <PTD_ENGINEER>	SIZE D	SCALE 1:1
		SHEET 4 OF 4	