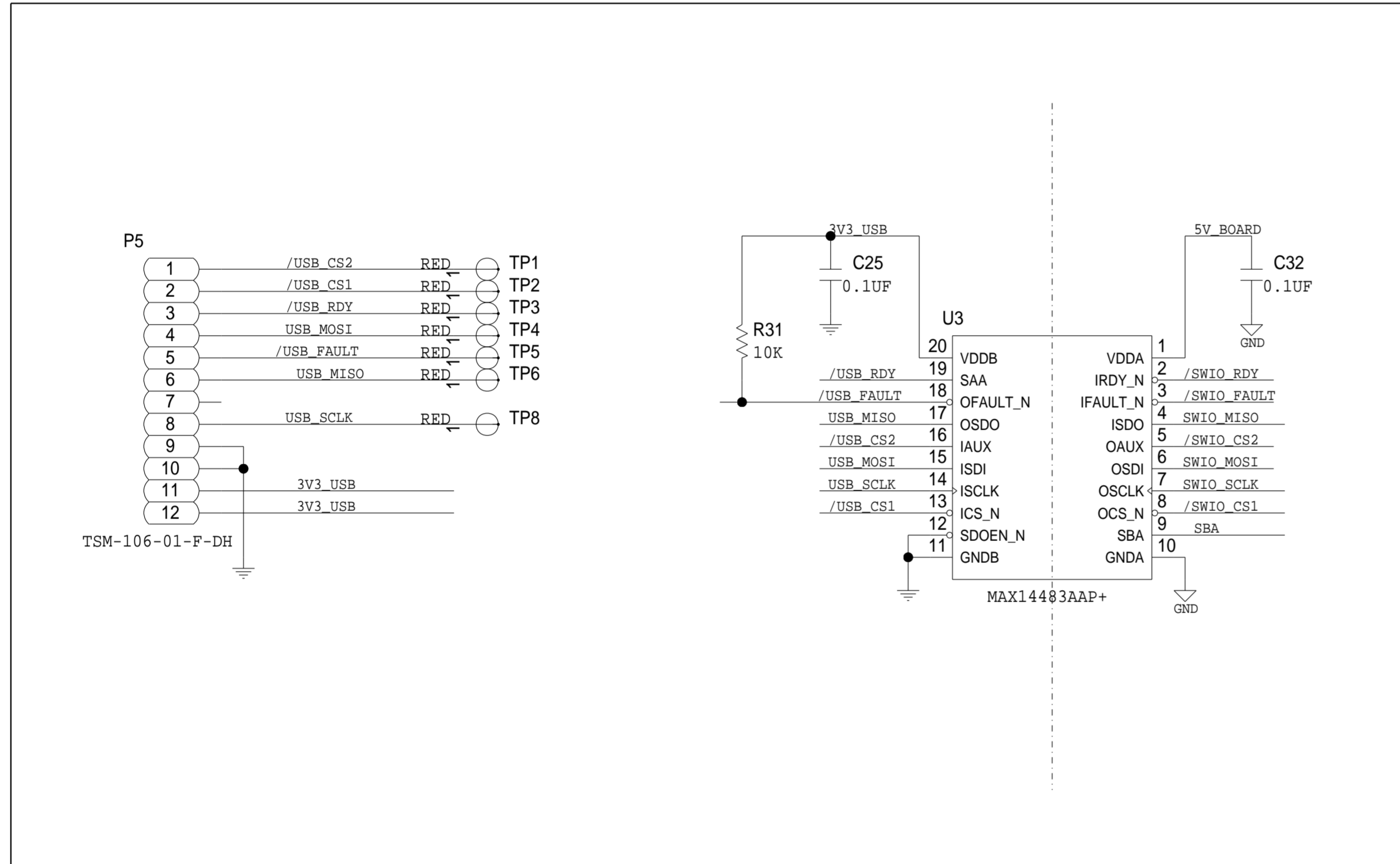


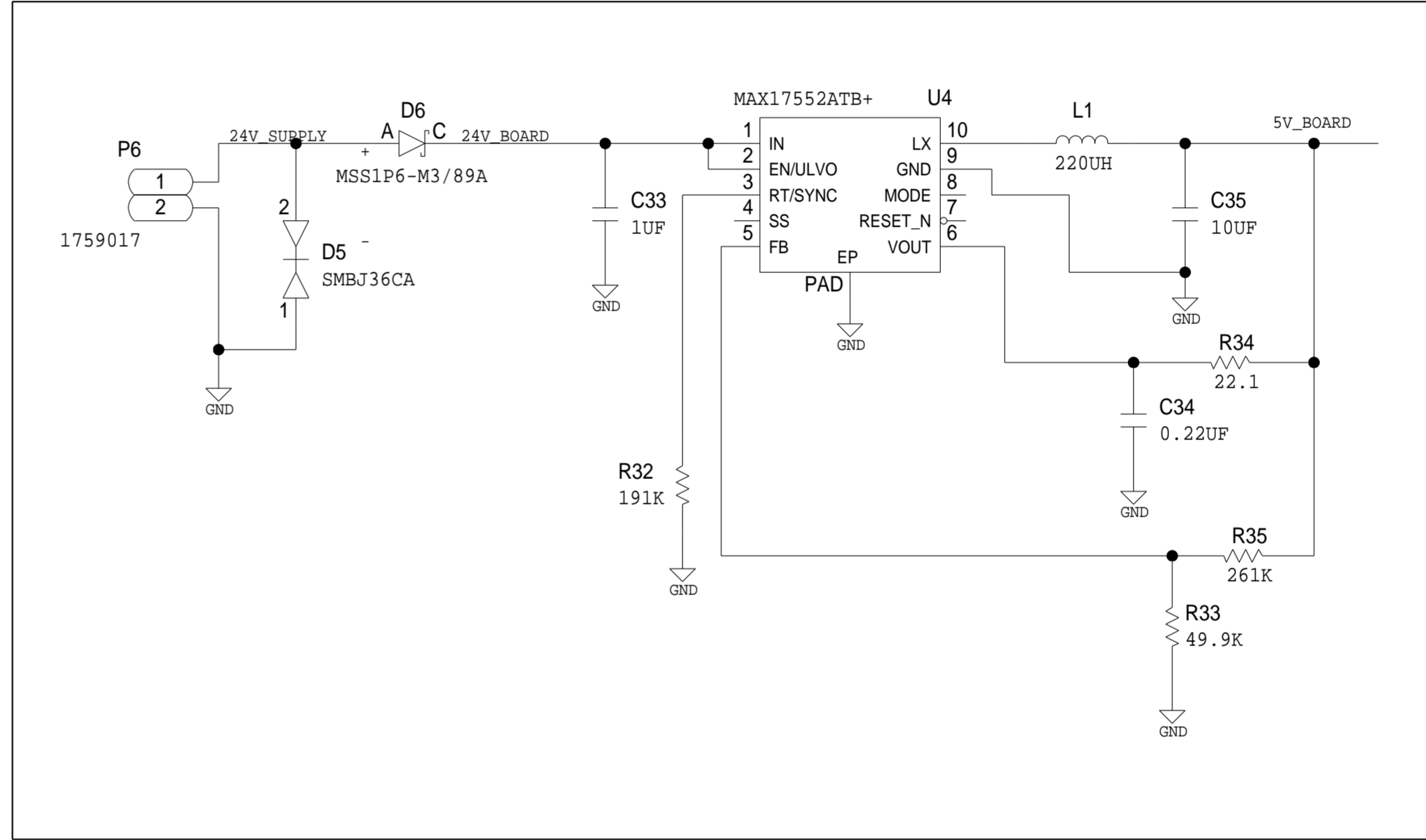


REVISIONS			
REV	DESCRIPTION	DATE	APPROVED

PMOD CONNECTOR AND ISOLATION



24 V AND 5 V FIELD SUPPLIES



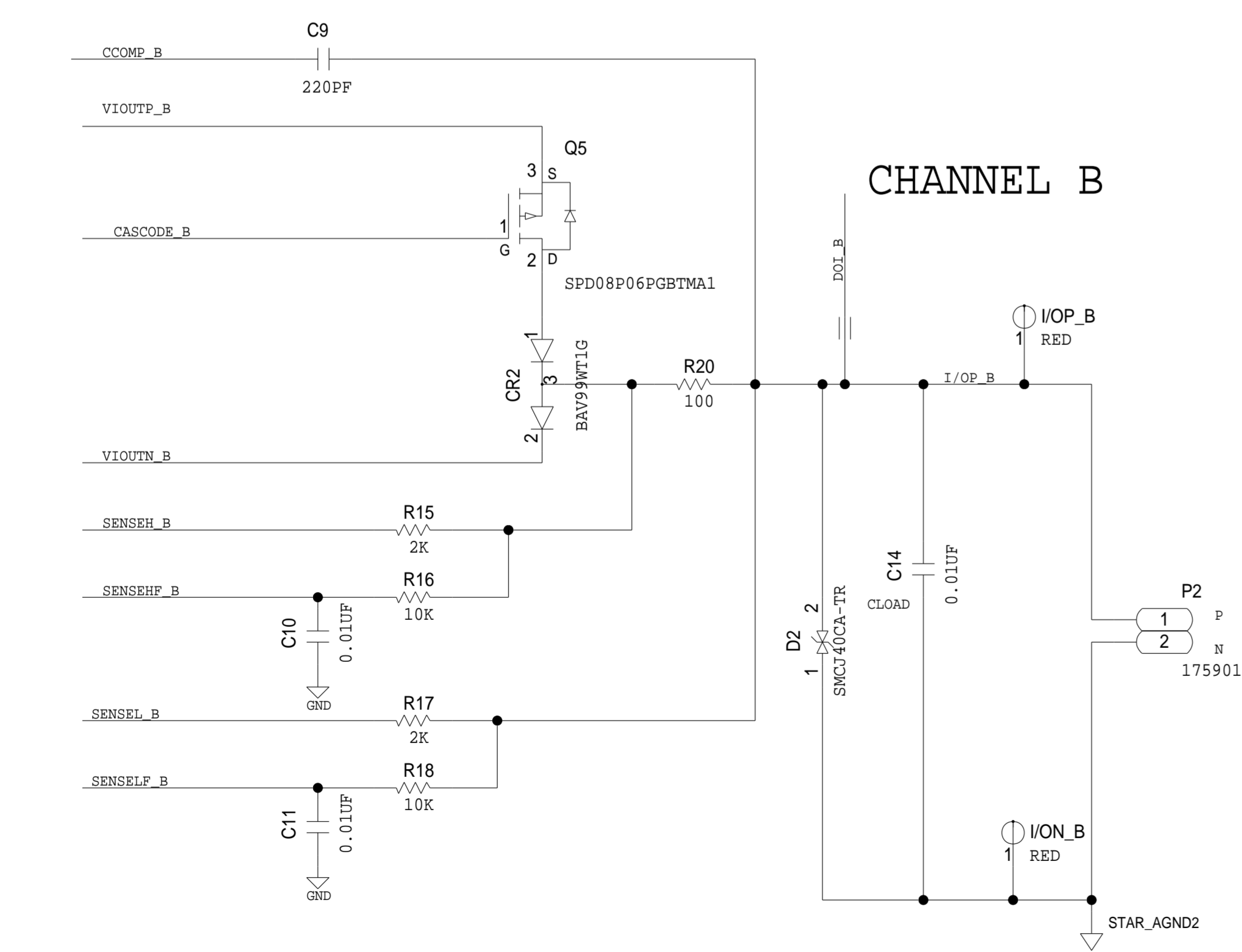
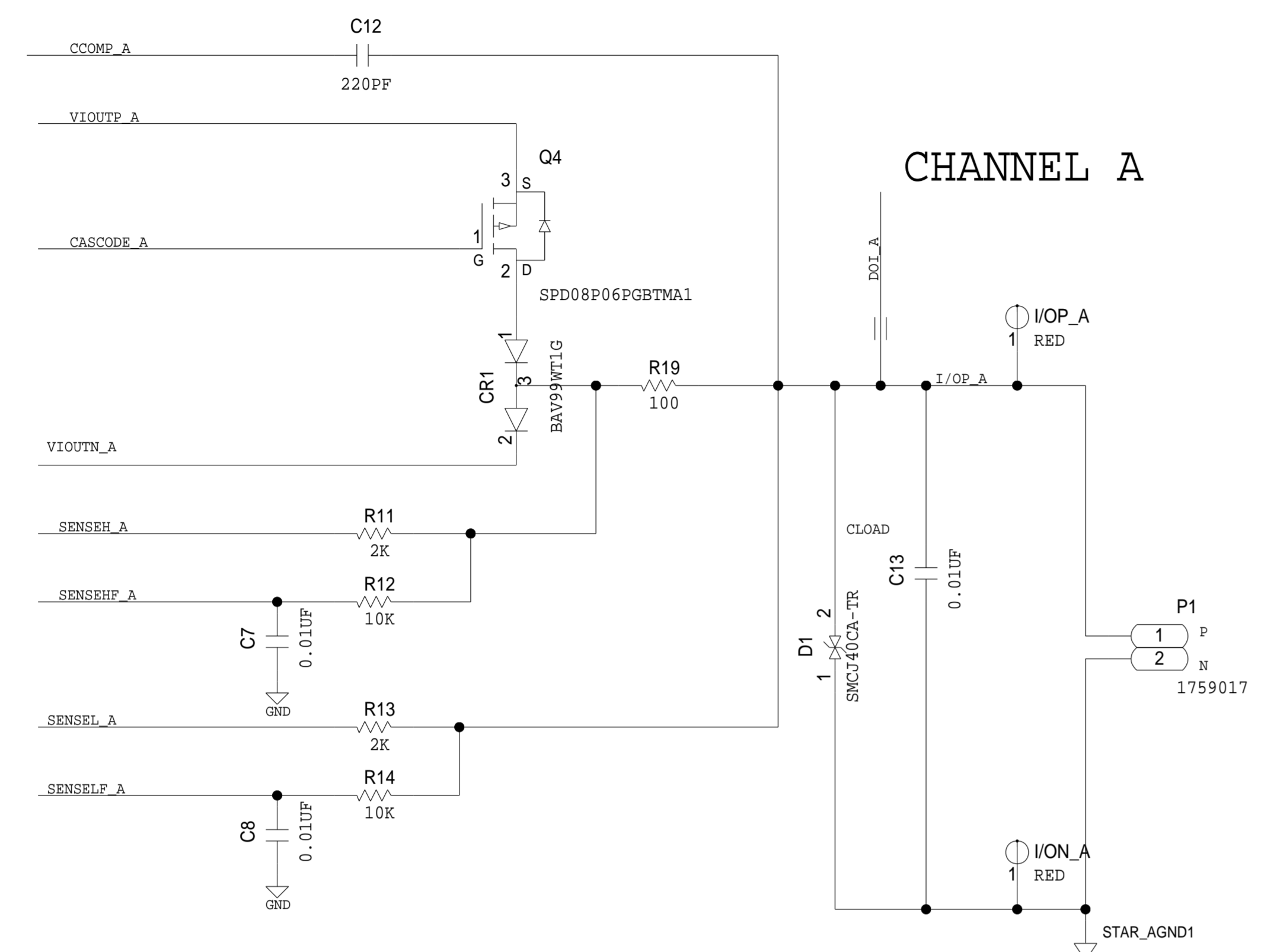
	<b>SCHEMATIC</b>		
	HW TYPE : Customer Evaluation Product(s) : AD74413R : MAX14906		
DESIGN VIEW <DESIGN_VIEW>	DRAWING NO. 02_072507	REV B	
PTD ENGINEER RGRAU	SIZE D	SCALE 1:1	SHEET 2 OF 4



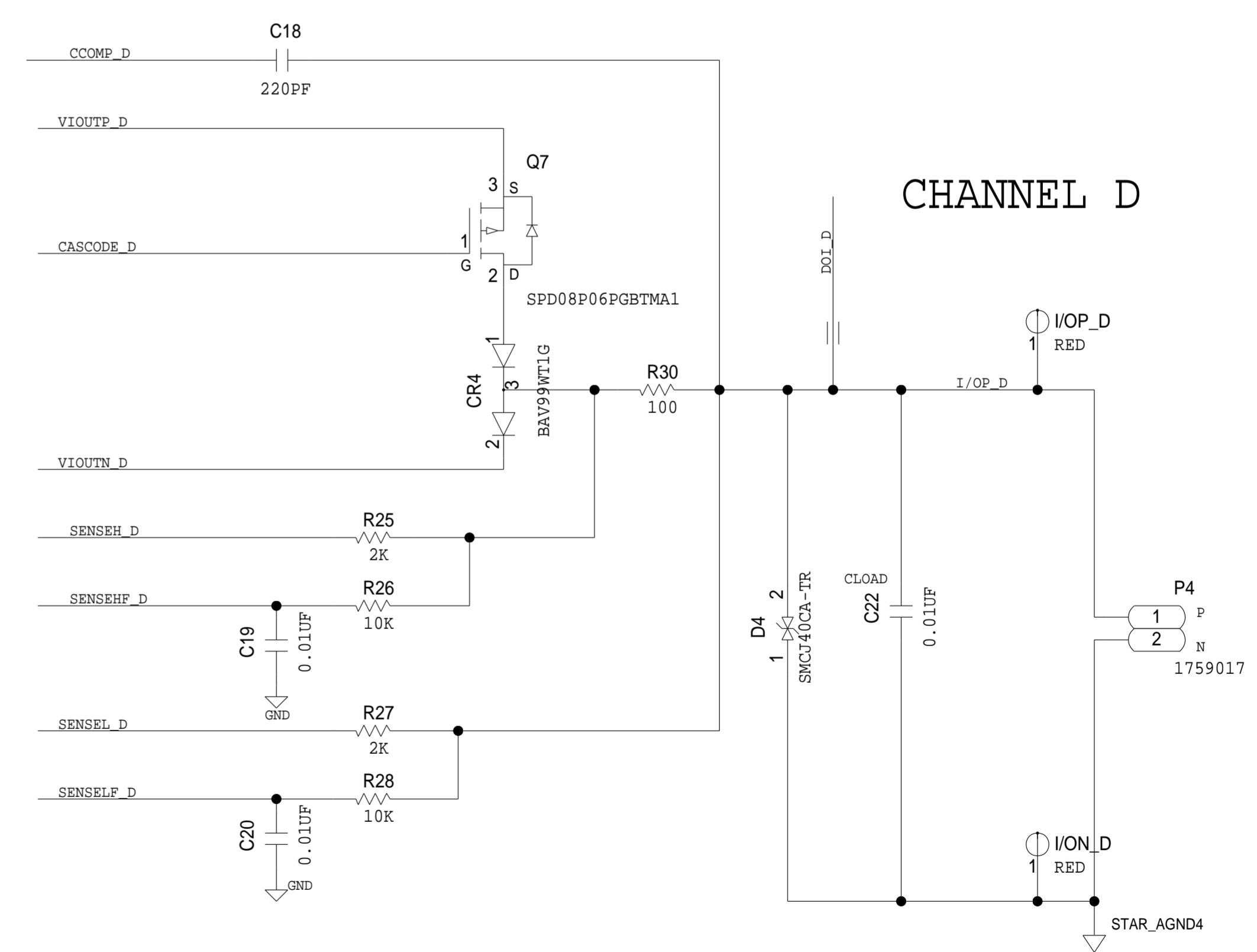
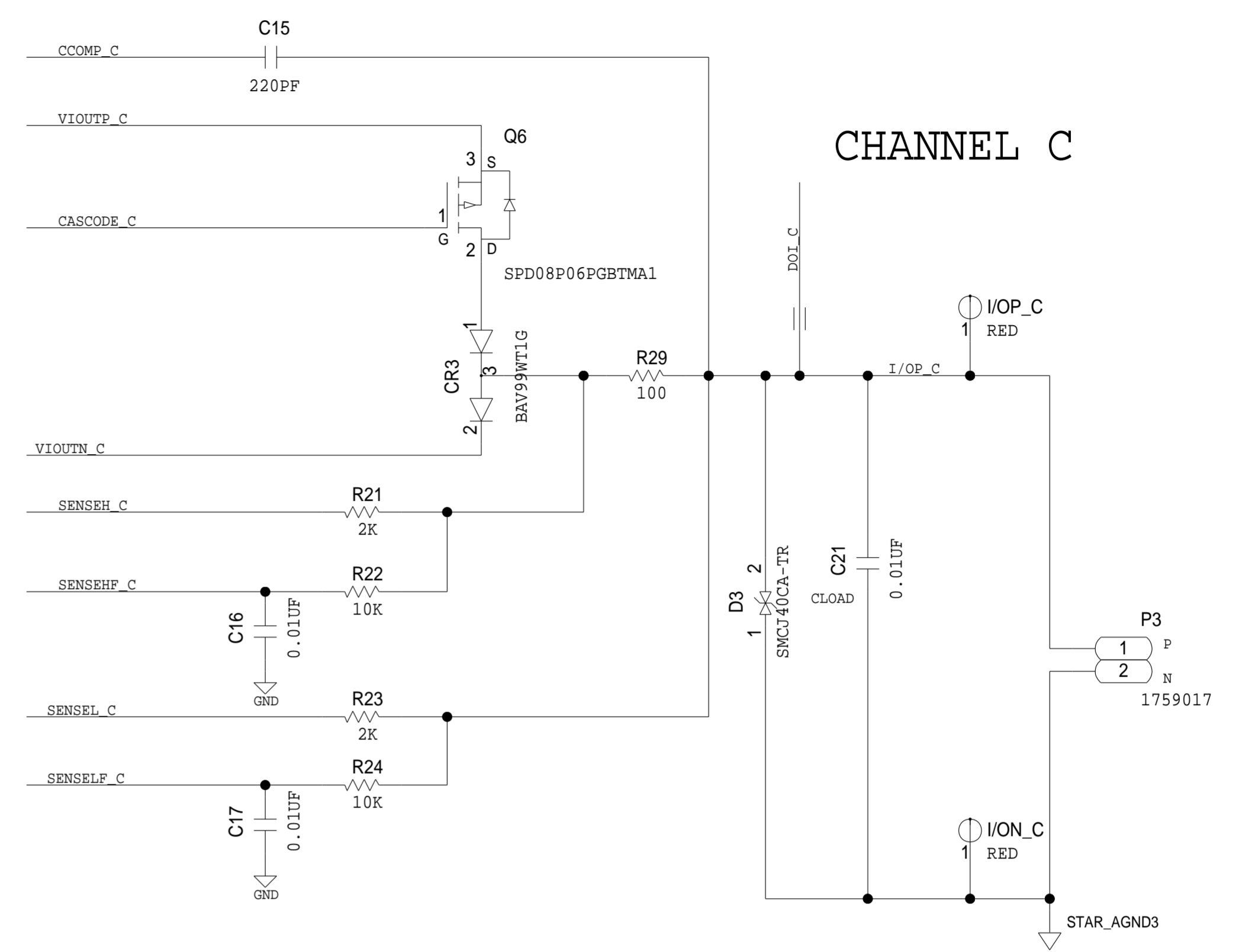
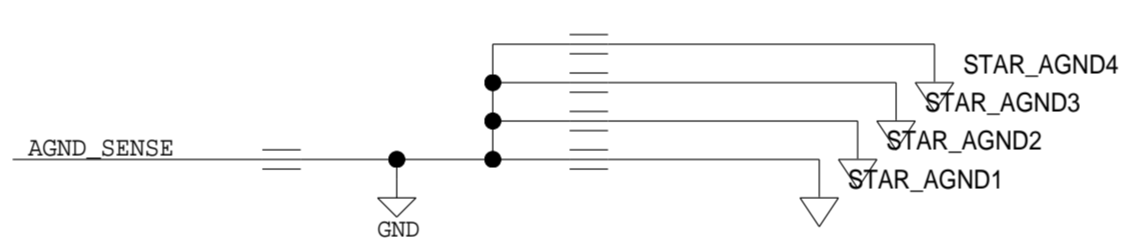
REVISIONS			
REV	DESCRIPTION	DATE	APPROVED

# CHANNEL EXTERNAL COMPONENTS

ALL COMPONENTS TO BE CONFIRMED!



**STAR GROUND**  
NEAR AVDD SOURCE  
STAR\_AGNDX NEED TO HANDLE UP TO 2A EACH



	<b>SCHEMATIC</b>		
	HW TYPE : Customer Evaluation Product(s) : AD74413R : MAX14906		
DESIGN VIEW <DESIGN_VIEW>	DRAWING NO. 02_072507	REV B	
PTD ENGINEER RGRAU	SIZE D	SCALE 1:1	SHEET 4 OF 4