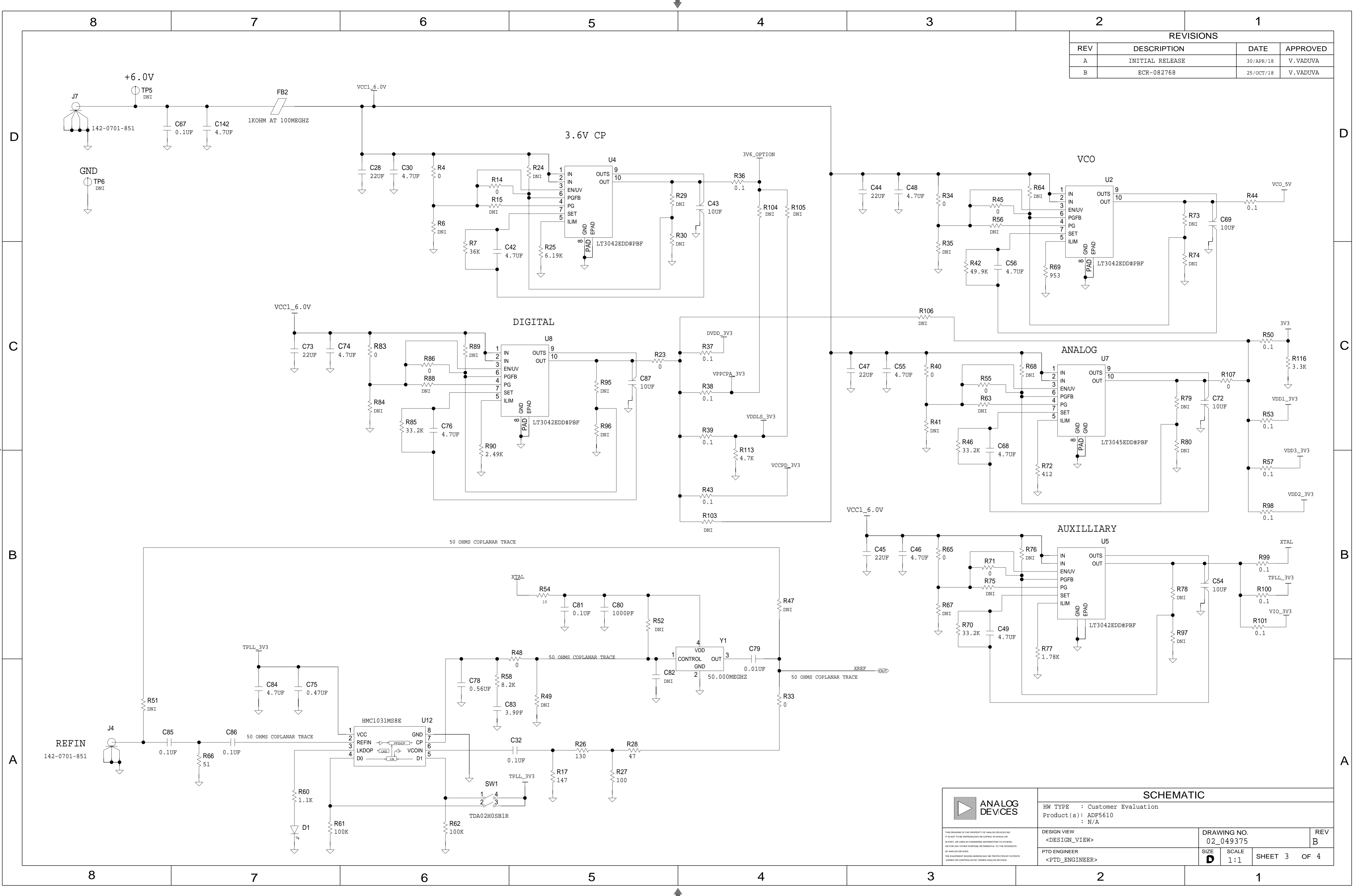
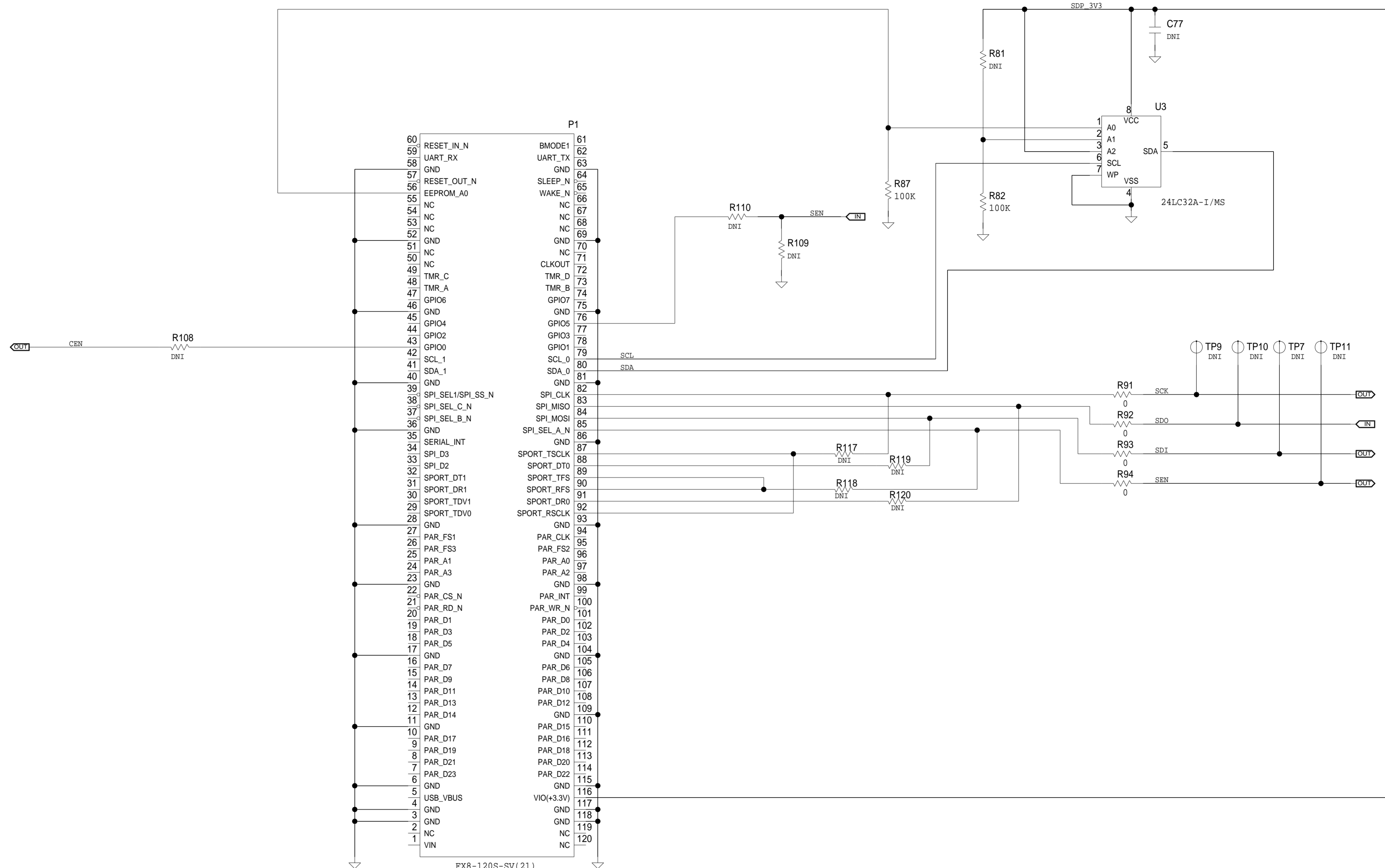


REVISIONS			
REV	DESCRIPTION	DATE	APPROVED
A	INITIAL RELEASE	30/APR/18	V. VADUVA
B	ECR-082768	25/OCT/18	V. VADUVA



	SCHEMATIC		
	HW TYPE : Customer Evaluation Product(s) : ADP5610 : N/A		
	DESIGN VIEW <DESIGN_VIEW>	DRAWING NO. 02_049375	REV B
	PTD ENGINEER <PTD_ENGINEER>	SIZE D	SCALE 1:1
		SHEET 3 OF 4	

REVISIONS			
REV	DESCRIPTION	DATE	APPROVED
A	INITIAL RELEASE	30/APR/18	V. VADUVA
B	ECR-082768	25/OCT/18	V. VADUVA



	SCHEMATIC		
	HW TYPE : Customer Evaluation Product(s): ADF5610 : N/A		
	DESIGN VIEW <DESIGN_VIEW>	DRAWING NO. 02_049375	REV B
	PTD ENGINEER <PTD_ENGINEER>	SIZE D	SCALE 1:1
		SHEET 4 OF 4	

THIS DRAWING IS THE PROPERTY OF ANALOG DEVICES INC. IT IS NOT TO BE REPRODUCED OR COPIED, IN WHOLE OR IN PART, OR USED IN ANY MANNER THAT IS DETRIMENTAL TO THE INTERESTS OF ANALOG DEVICES. THE EQUIPMENT SHOWN HEREON MAY BE PROTECTED BY PATENTS OWNED OR CONTROLLED BY ANALOG DEVICES.