

THIS DRAWING IS THE PROPERTY OF ANALOG DEVICES INC. IT IS NOT TO BE REPRODUCED OR COPIED, IN WHOLE OR IN PART, OR USED IN FURNISHING INFORMATION TO OTHERS, OR FOR ANY OTHER PURPOSE DETRIMENTAL TO THE INTERESTS OF ANALOG DEVICES. THE EQUIPMENT SHOWN HEREON MAY BE PROTECTED BY PATENTS OWNED OR CONTROLLED BY ANALOG DEVICES.

RELAY CONTROL CHART

CONTROL	CODE	DEVICE	FUNCTION	CONNECTOR

JUMPER TABLE		
JP#	ON	OFF
1		
2		
3		
4		
5		

* SEE ASSEMBLY INSTRUCTIONS

REVISIONS			
REV	DESCRIPTION	DATE	APPROVED
A	INITIAL RELEASE	28MAR23	D. HARRINGTON
B	CHANGES AS PER ECR-115567	11SEP23	D. HARRINGTON

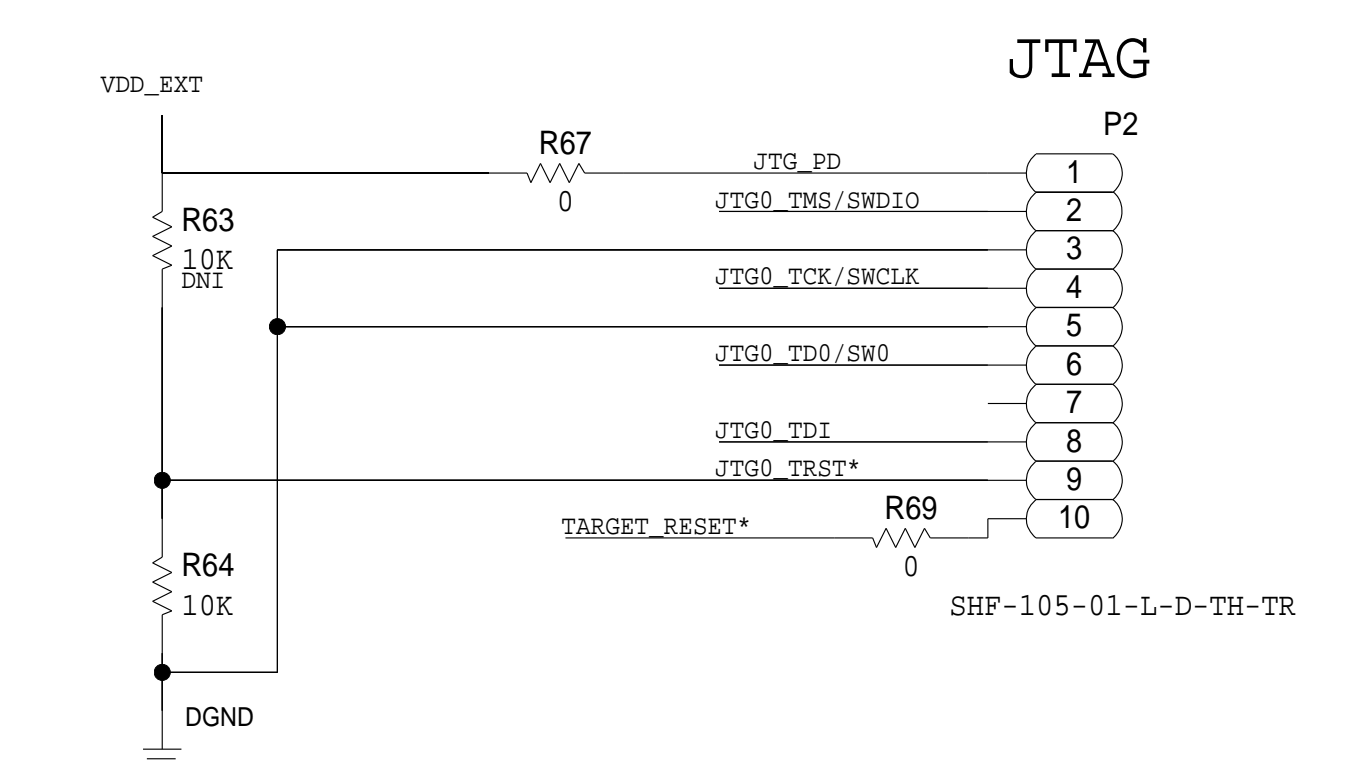
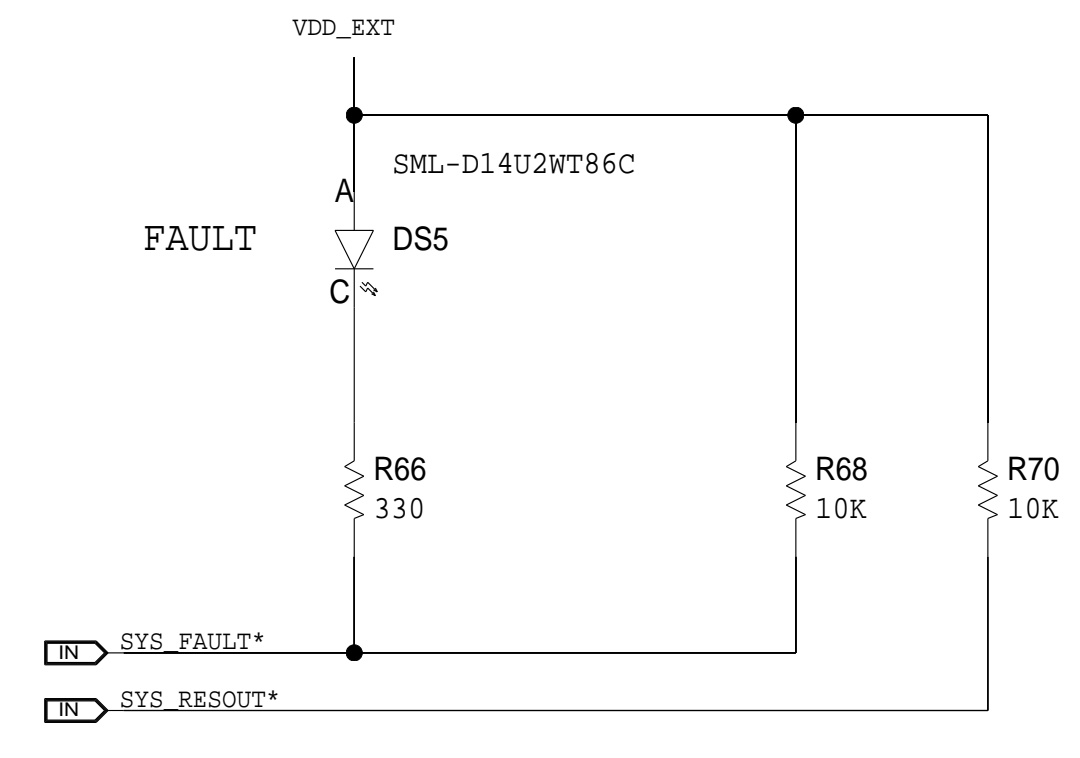
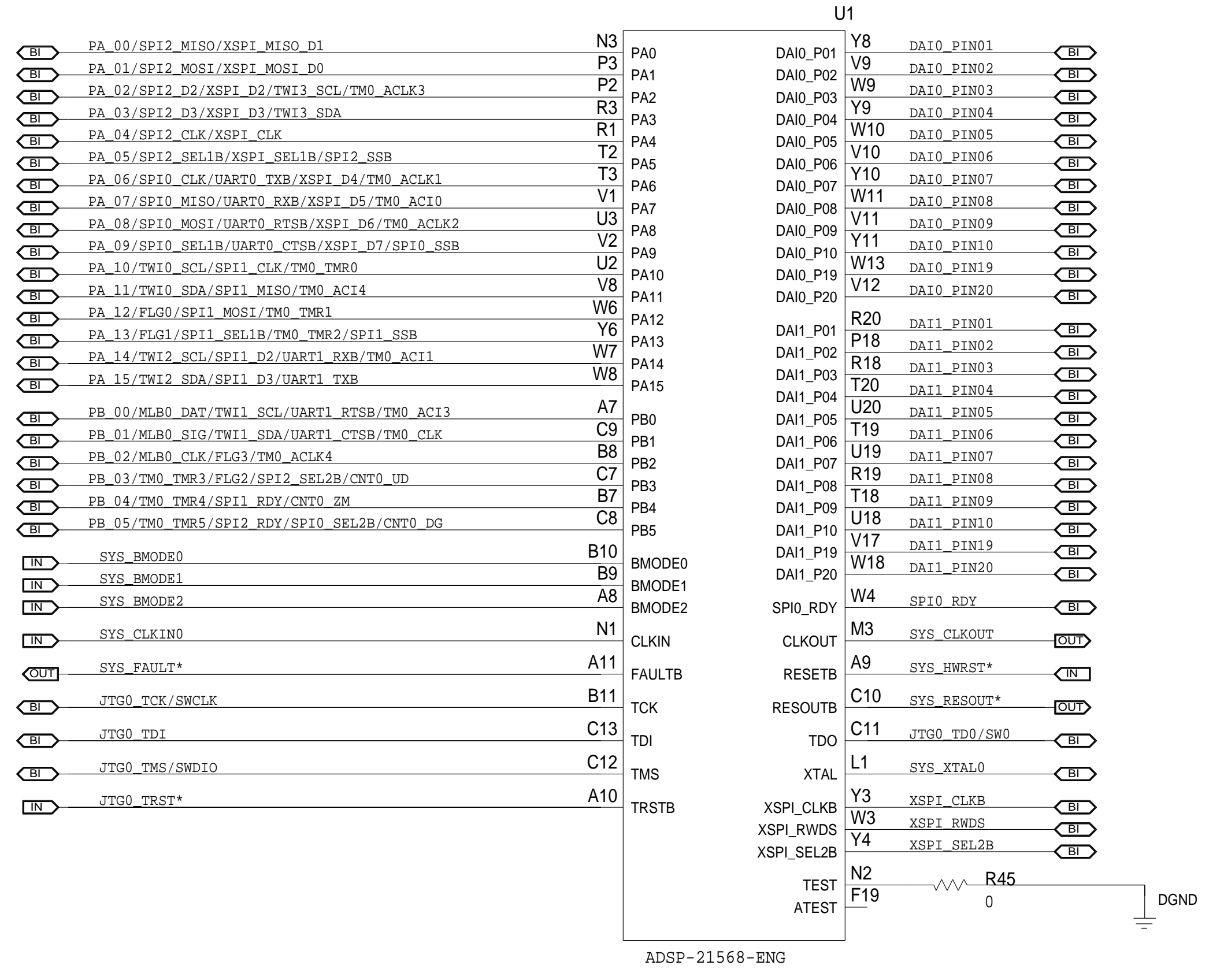
EV-21568-SOM

ADSP-21568 SYSTEM ON MODULE
9-5-2023

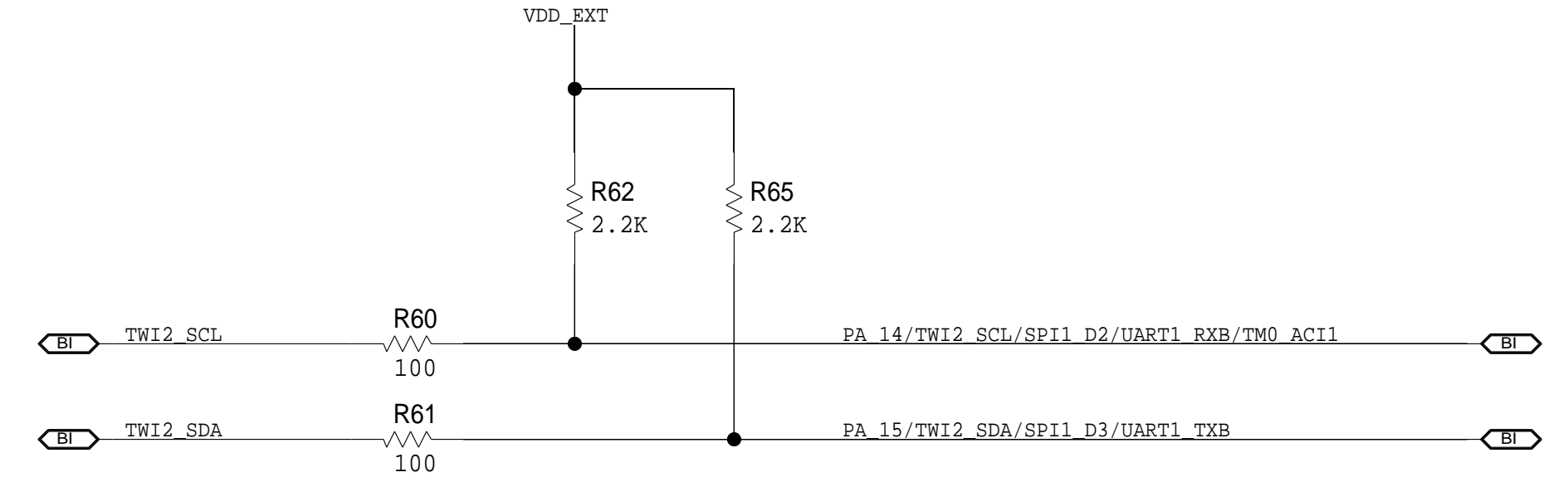
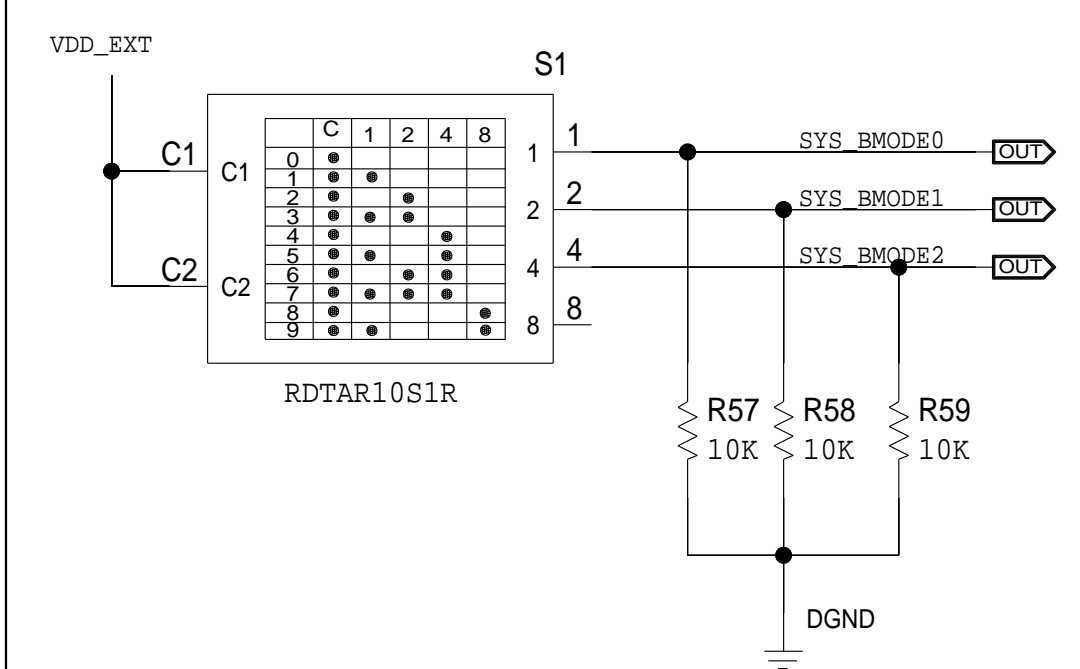
P.O SPEC.	BK/BD SPEC.	SOCKET OEM	OEM PART#	HANDLER

TEMPLATE ENGINEER -		DATE 28MAR23		
HARDWARE SERVICES M. VALE				
HARDWARE SYSTEMS -			SCHEMATIC HW TYPE : Customer Evaluation Product(s) : ADSP-21568 : 21568	
TEST ENGINEER -			PACKAGE : LeadCount-lead BodySize BGA-family : Pitch-pitch StyleVendor Style	
COMPONENT ENGINEER N. BUENAFLORES		28MAR23	<User Define> <User Define> <User Define>	
TEST PROCESS -			MASTER PROJECT TEMPLATE TBD	
HARDWARE RELEASE K. JABATAN		28MAR23	TESTER TEMPLATE 067706_a	DRAWING NO. 02_074161
DESIGNER K. MOYO		28MAR23		
PTD ENGINEER D. HARRINGTON		28MAR23	REV. B	
CHECKER -			UNLESS OTHERWISE SPECIFIED DIMENSIONS ARE IN INCHES TOLERANCES DECIMALS FRACTIONS ANGLES X.XX ±0.010 +1/32 +2 X.XXX ±0.005	
			SIZE D	SCALE 1:1
			CODE ID NO. CodeID	SHEET 1 OF 12

REVISIONS			
REV	DESCRIPTION	DATE	APPROVED

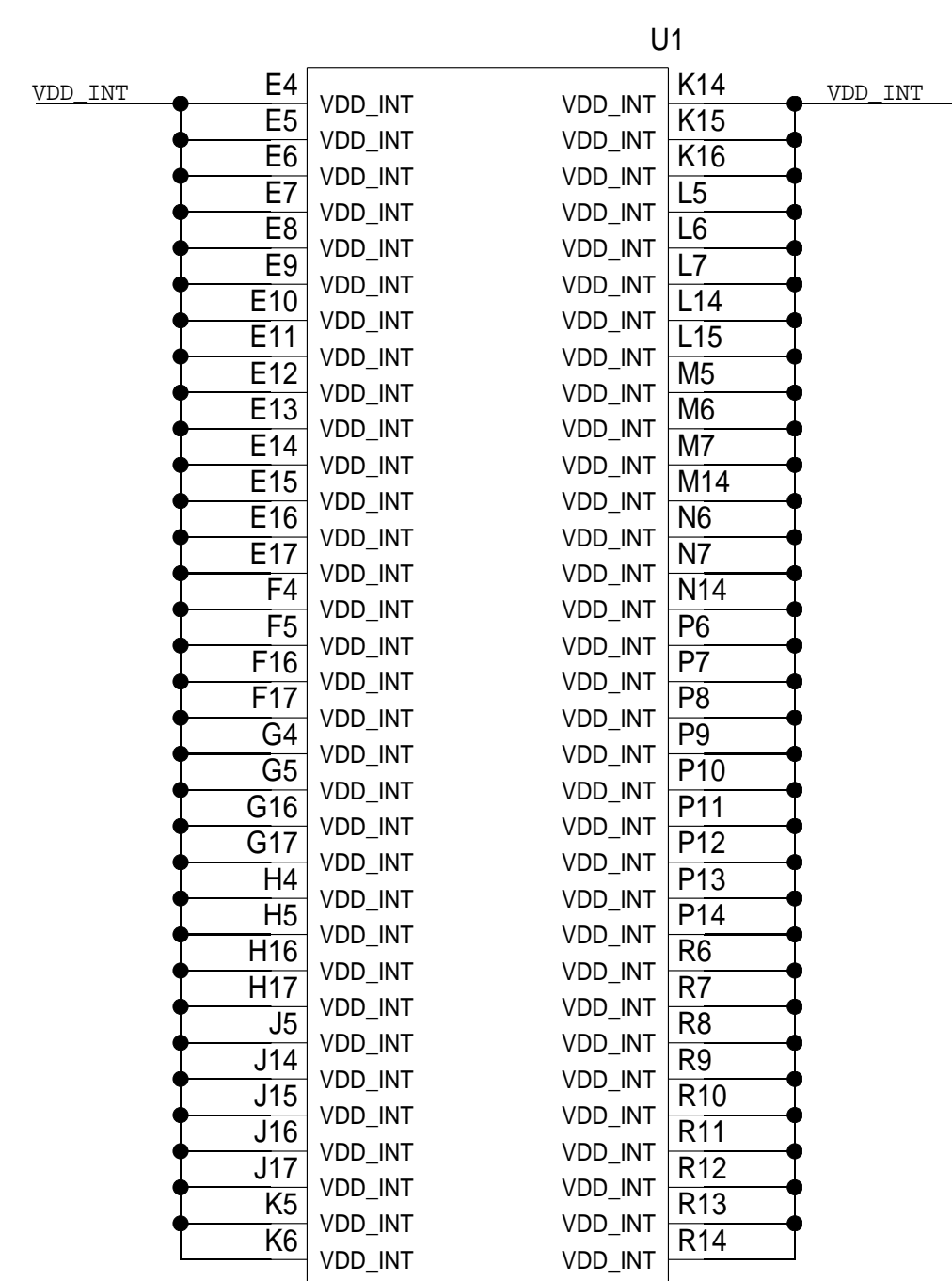


BOOT MODES
0: NO BOOT
1: SFI MASTER BOOT
2: SFI SLAVE BOOT
3: UART BOOT

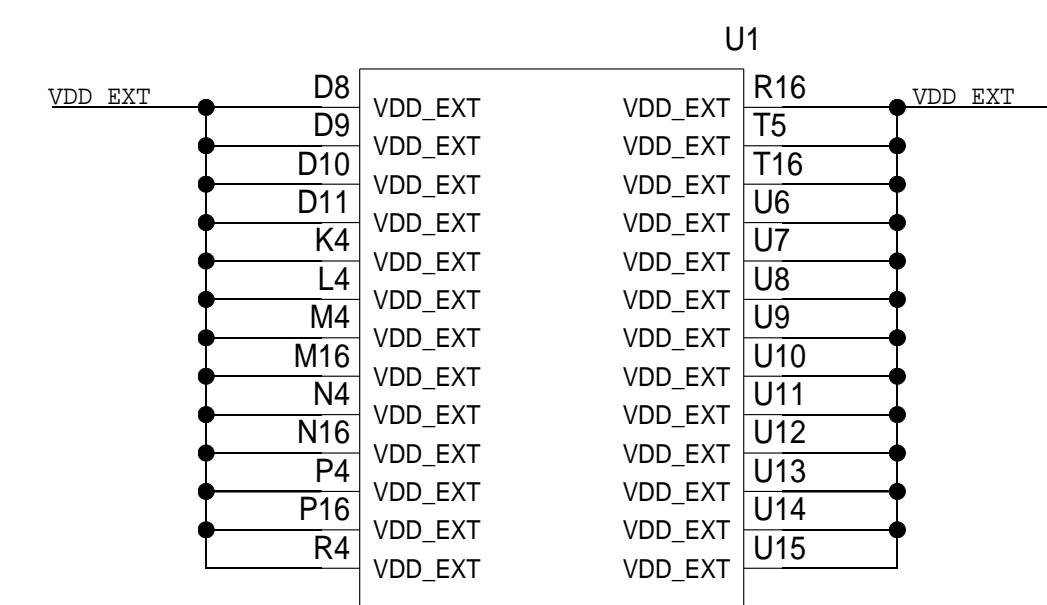


	SCHEMATIC		
	HW TYPE : Customer Evaluation Product(s) : ADSP-21568 : 21568		
DESIGN VIEW <DESIGN_VIEW>	DRAWING NO. 02_074161	REV B	
PTD ENGINEER D. HARRINGTON	SIZE D	SCALE 1:1	SHEET 2 OF 12

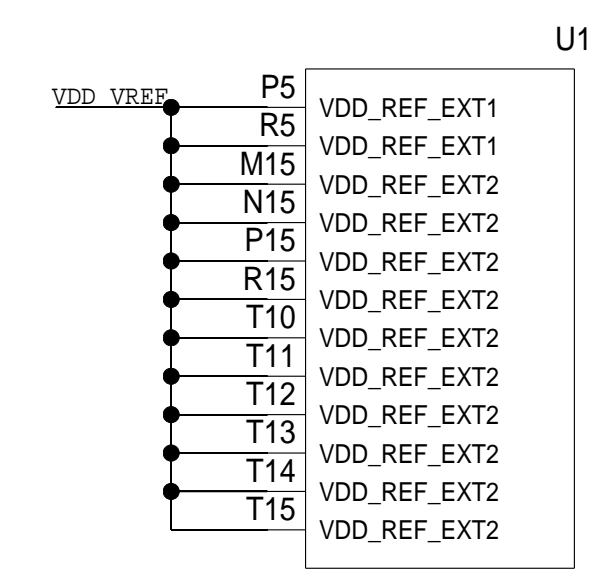
REVISIONS			
REV	DESCRIPTION	DATE	APPROVED



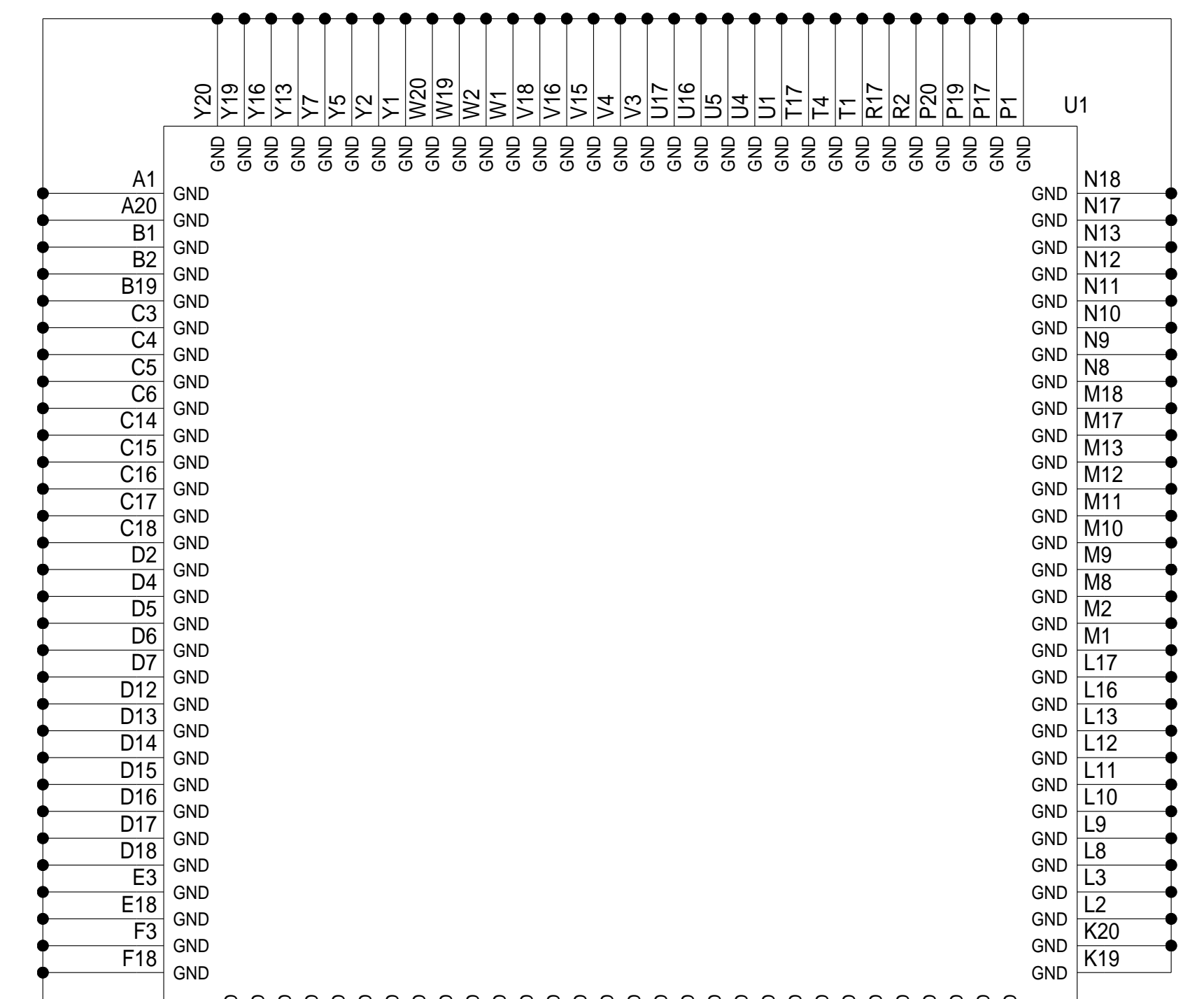
ADSP-21568-ENG



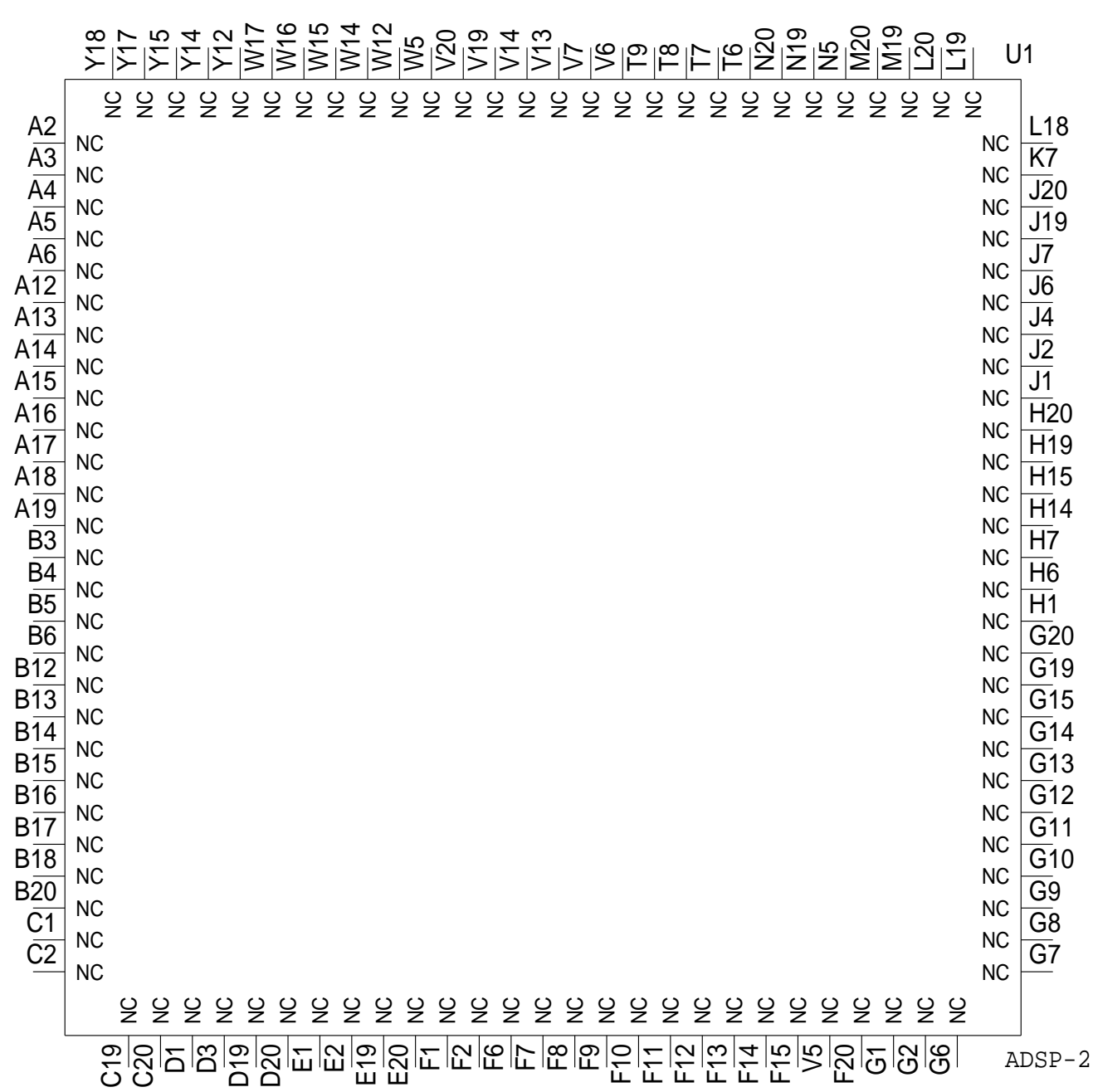
ADSP-21568-ENG



ADSP-21568-ENG



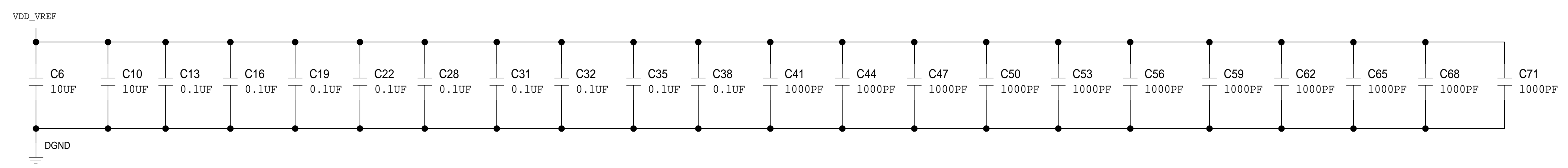
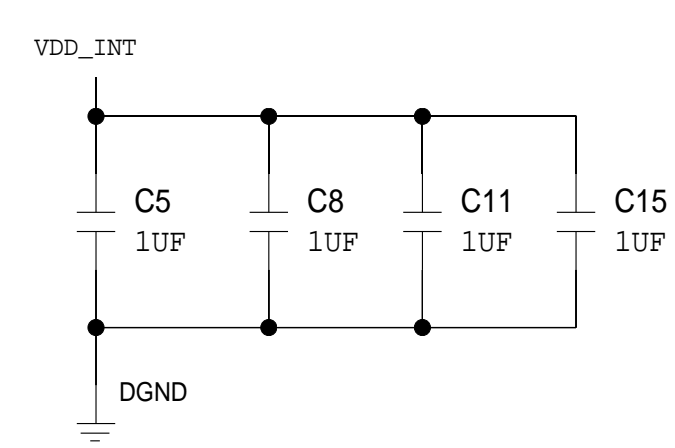
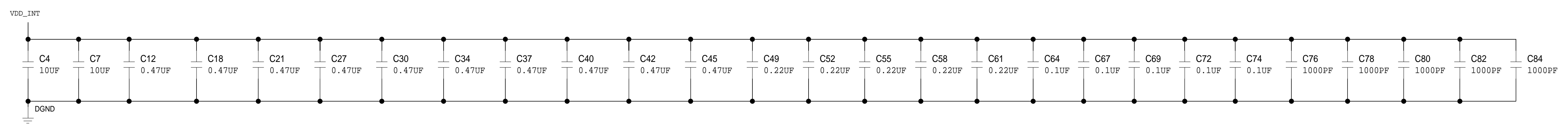
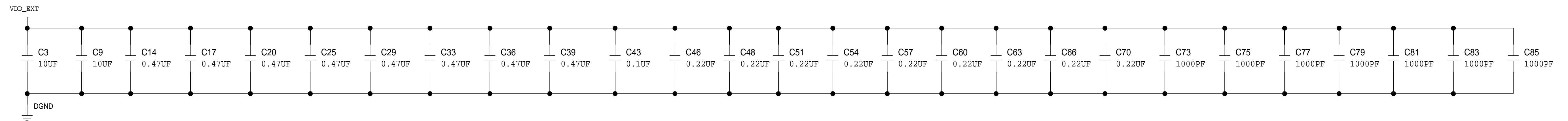
ADSP-21568-ENG



ADSP-21568-ENG

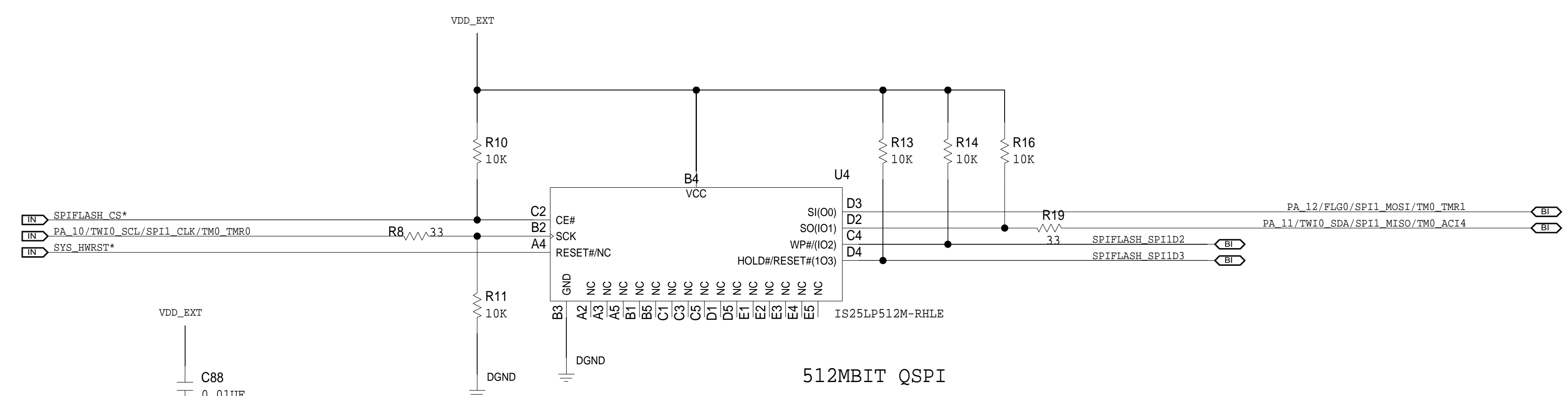
	SCHEMATIC		
	HW TYPE : Customer Evaluation Product(s) : ADSP-21568 : 21568		
<small>THIS DRAWING IS THE PROPERTY OF ANALOG DEVICES INC. IT IS NOT TO BE REPRODUCED OR COPIED, IN WHOLE OR IN PART, OR USED IN FURNISHING INFORMATION TO OTHERS, OR FOR ANY OTHER PURPOSE DETRIMENTAL TO THE INTERESTS OF ANALOG DEVICES. THE EQUIPMENT SHOWN HEREON MAY BE PROTECTED BY PATENTS OWNED OR CONTROLLED BY ANALOG DEVICES.</small>	DESIGN VIEW <DESIGN_VIEW>	DRAWING NO. 02_074161	REV B
PTD ENGINEER D. HARRINGTON	SIZE D	SCALE 1:1	SHEET 3 OF 12

REVISIONS			
REV	DESCRIPTION	DATE	APPROVED

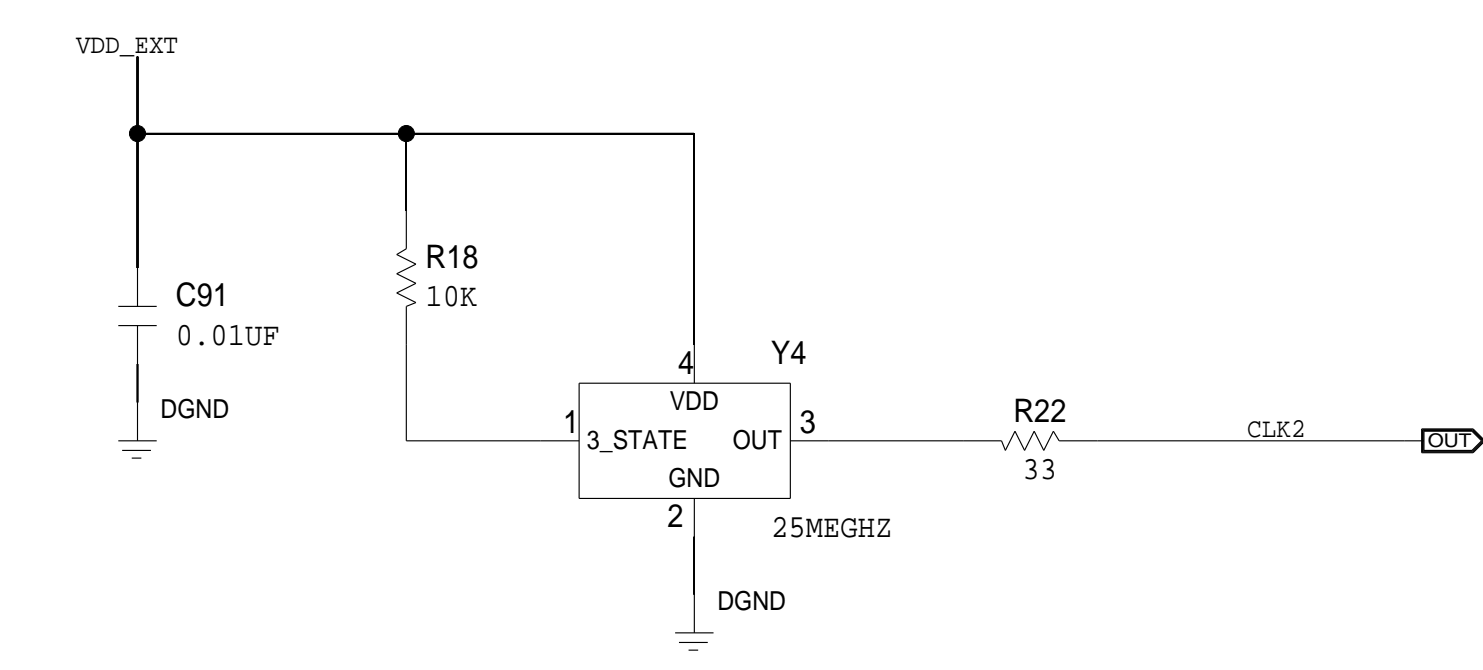
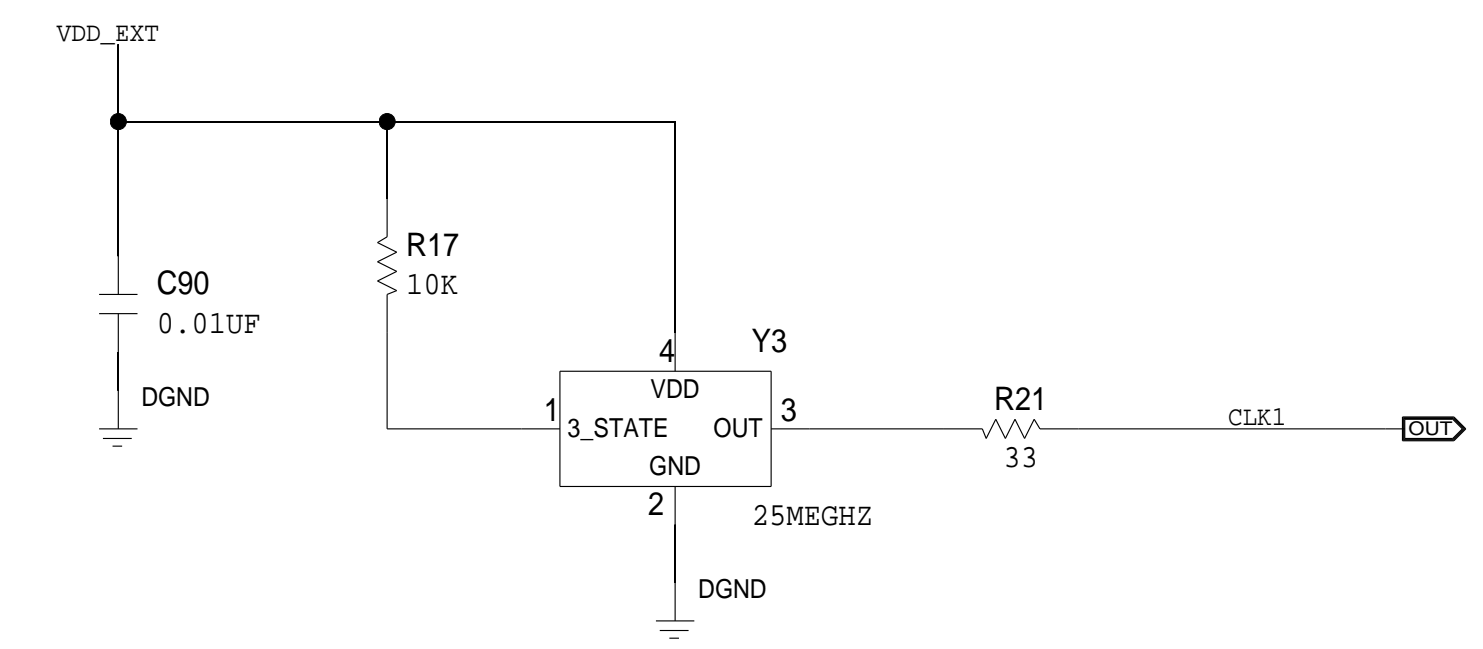
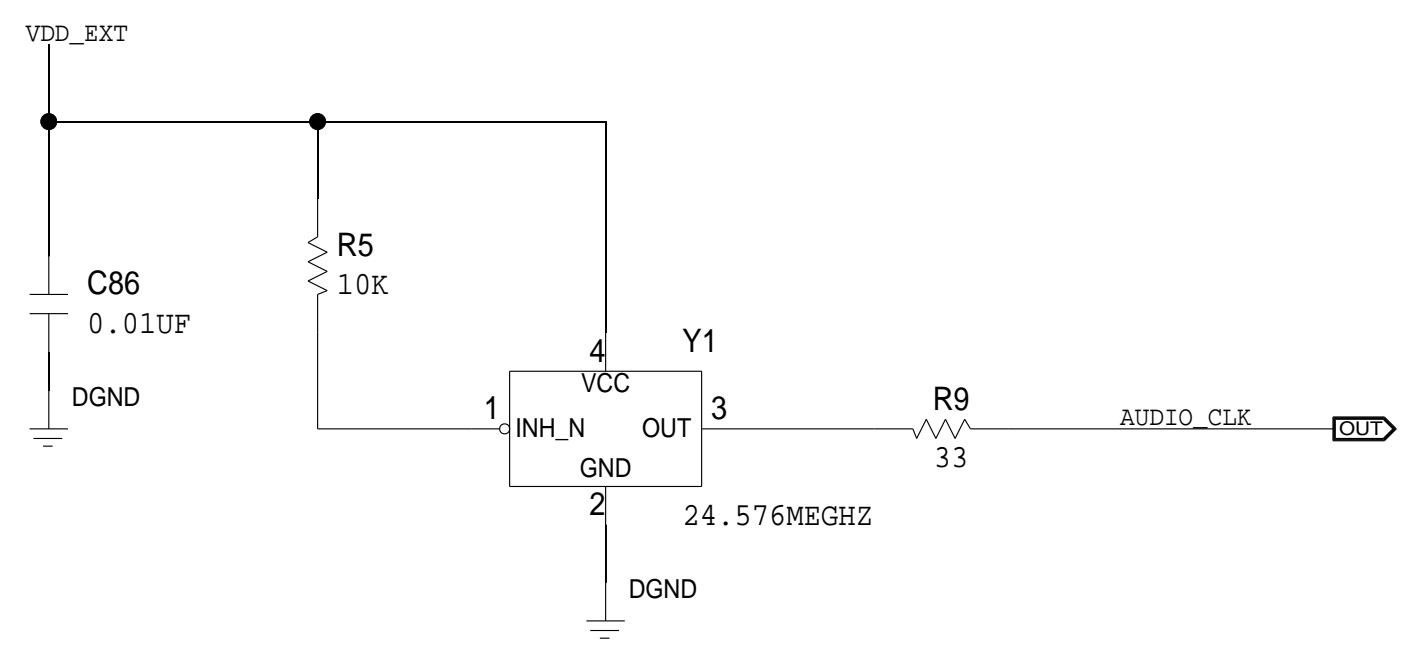
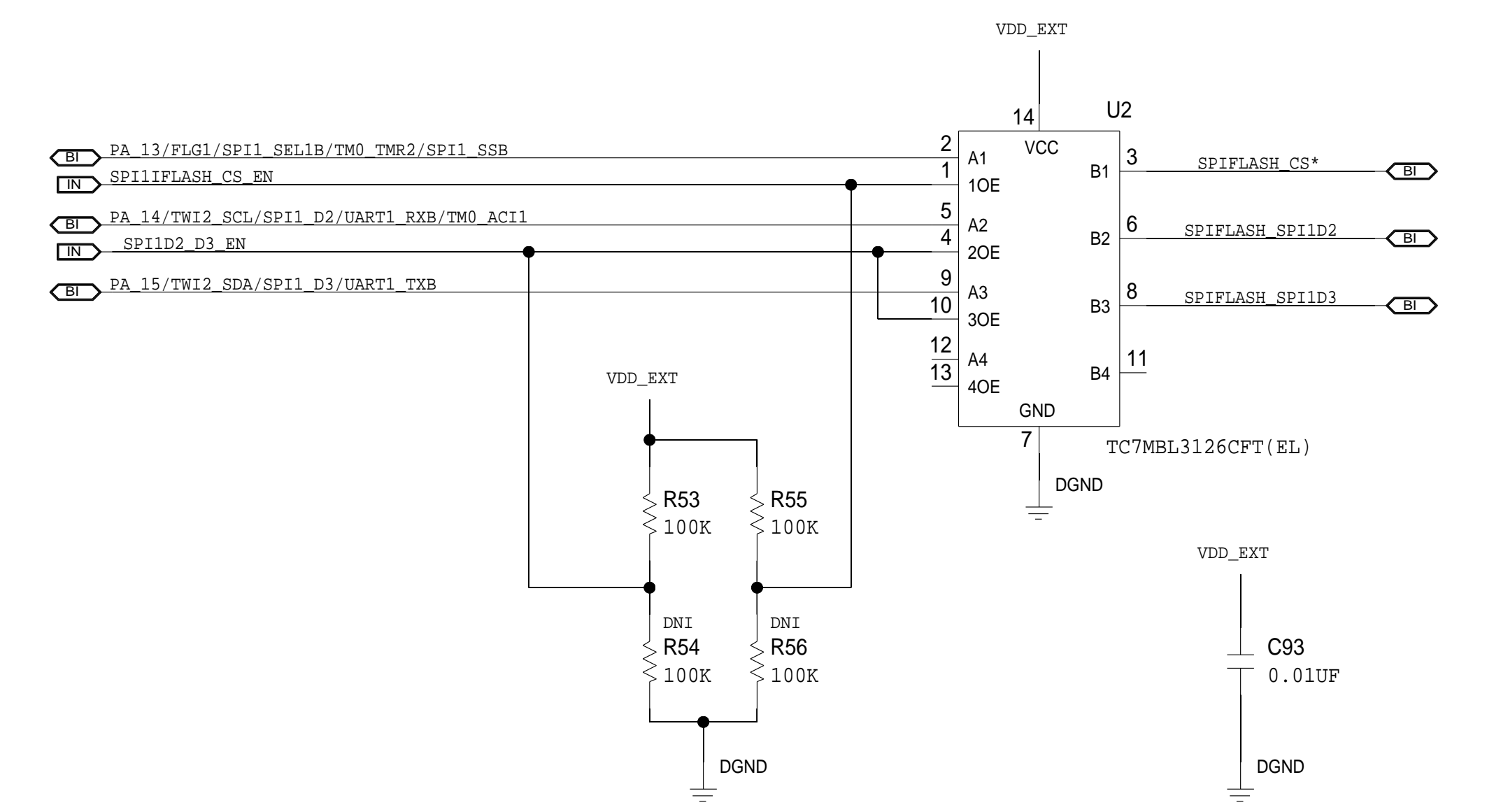


	SCHEMATIC		
	HW TYPE : Customer Evaluation Product(s) : ADSP-21568 : 21568		
DESIGN VIEW <DESIGN_VIEW>	DRAWING NO. 02_074161	REV B	
PTD ENGINEER D. HARRINGTON	SIZE D	SCALE 1:1	SHEET 4 OF 12

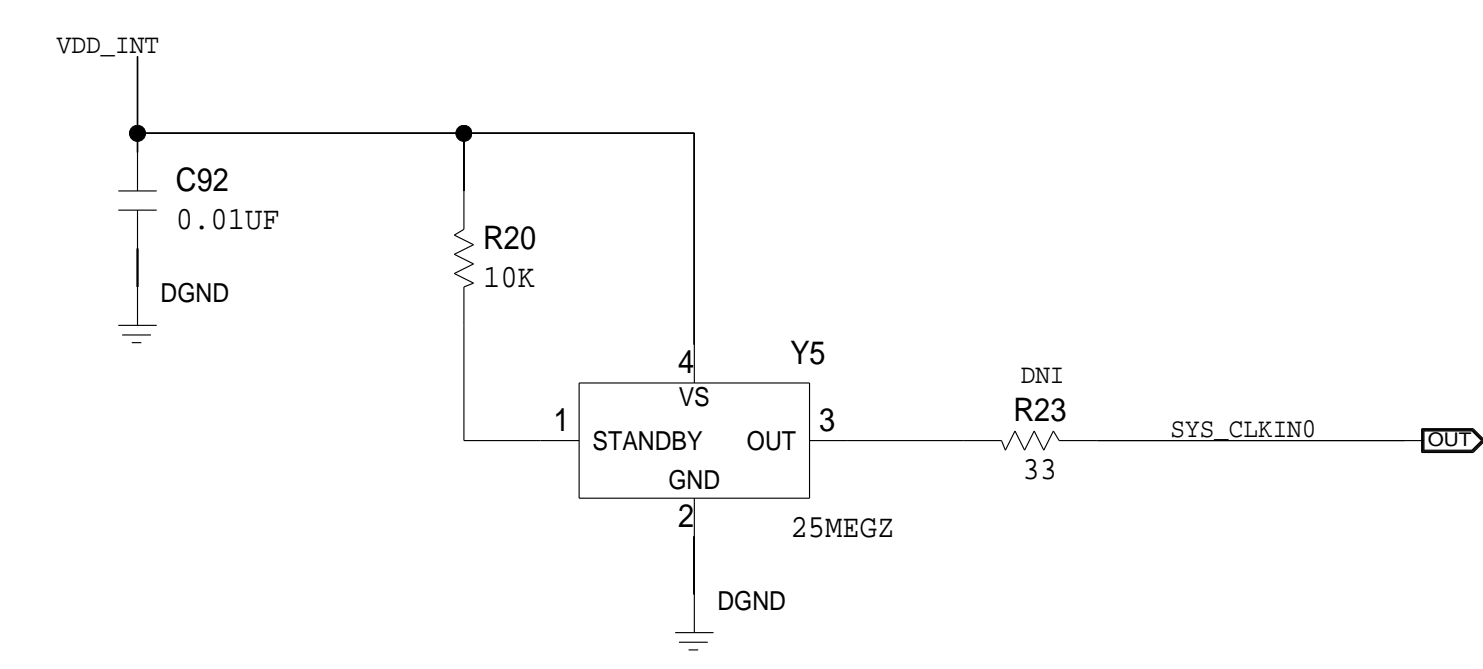
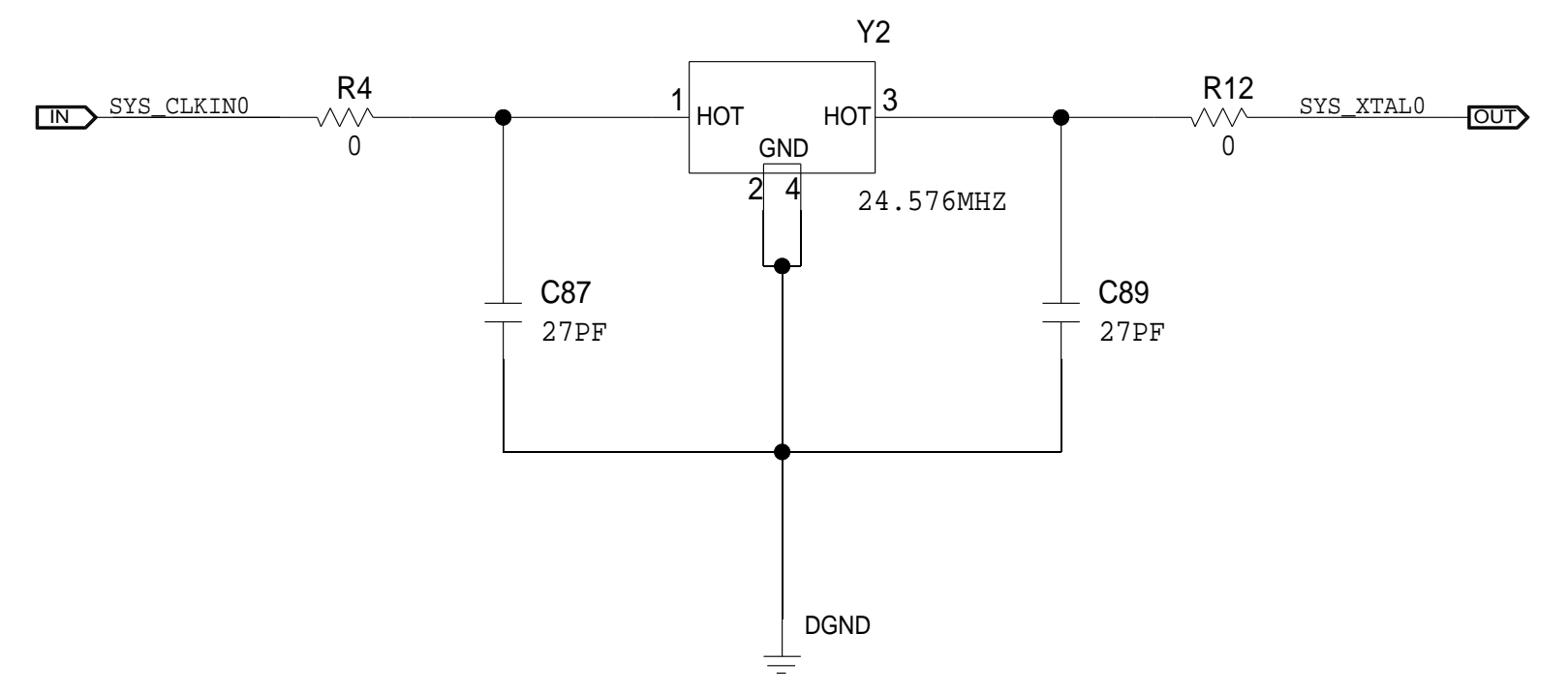
REVISIONS			
REV	DESCRIPTION	DATE	APPROVED



512MBIT QSPI

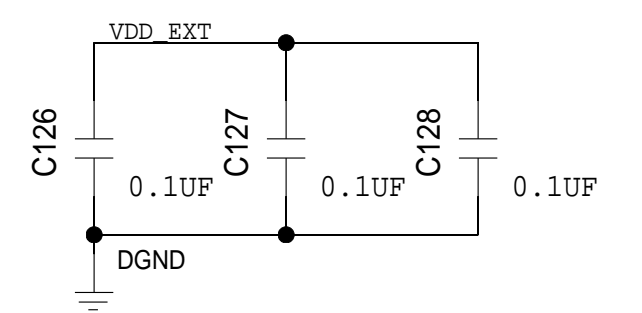
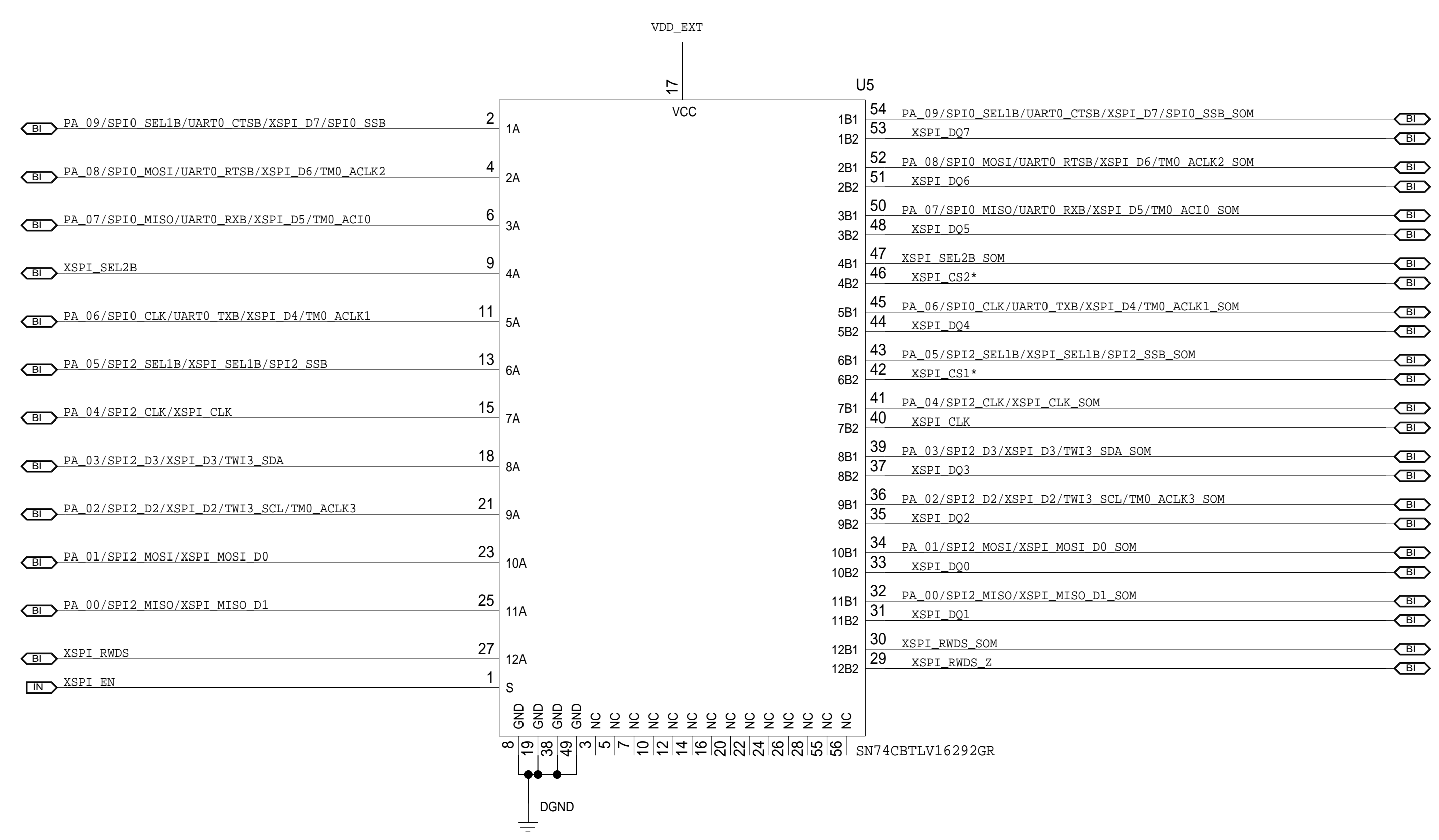
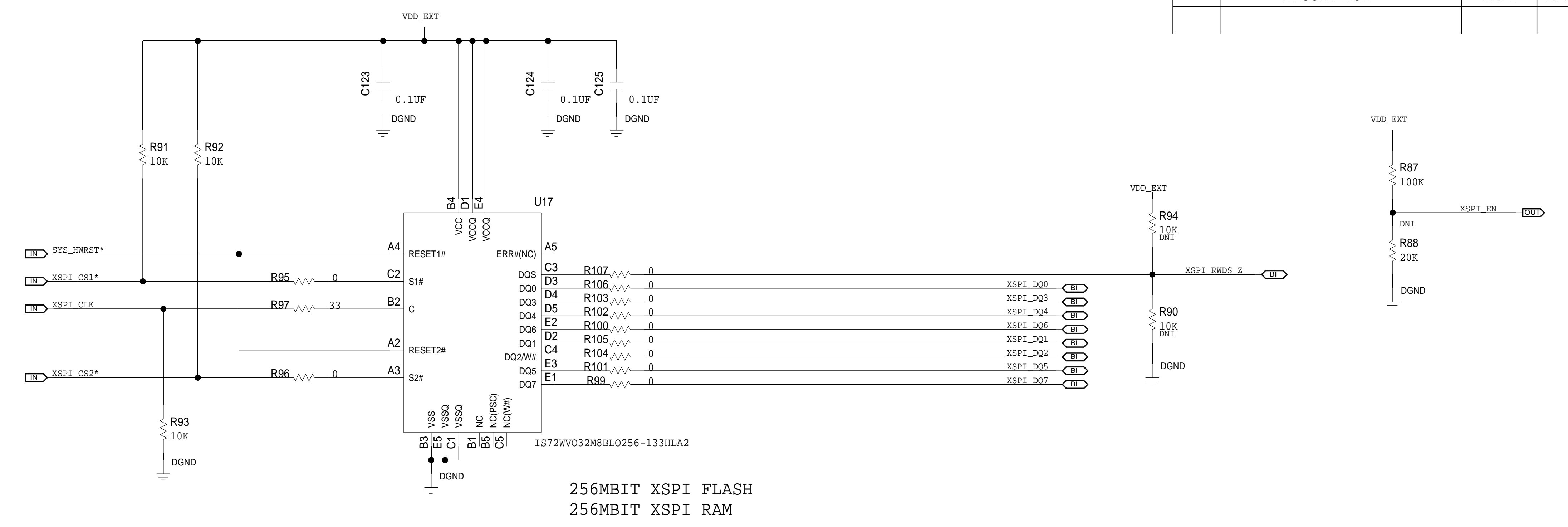


TO USE CRYSTAL POPULATE R4 AND R12, REMOVE R23



	SCHEMATIC		
	HW TYPE : Customer Evaluation Product(s) : ADSP-21568 : 21568		
DESIGN VIEW <DESIGN_VIEW>	DRAWING NO. 02_074161	REV B	
PTD ENGINEER D. HARRINGTON	SIZE D	SCALE 1:1	SHEET 5 OF 12

REVISIONS			
REV	DESCRIPTION	DATE	APPROVED



XSPI FLASH IS ENABLED BY DEFAULT.
 XSPI CONNECTIONS TO SOM INTERFACE CONNECTORS DISABLED BY DEFAULT

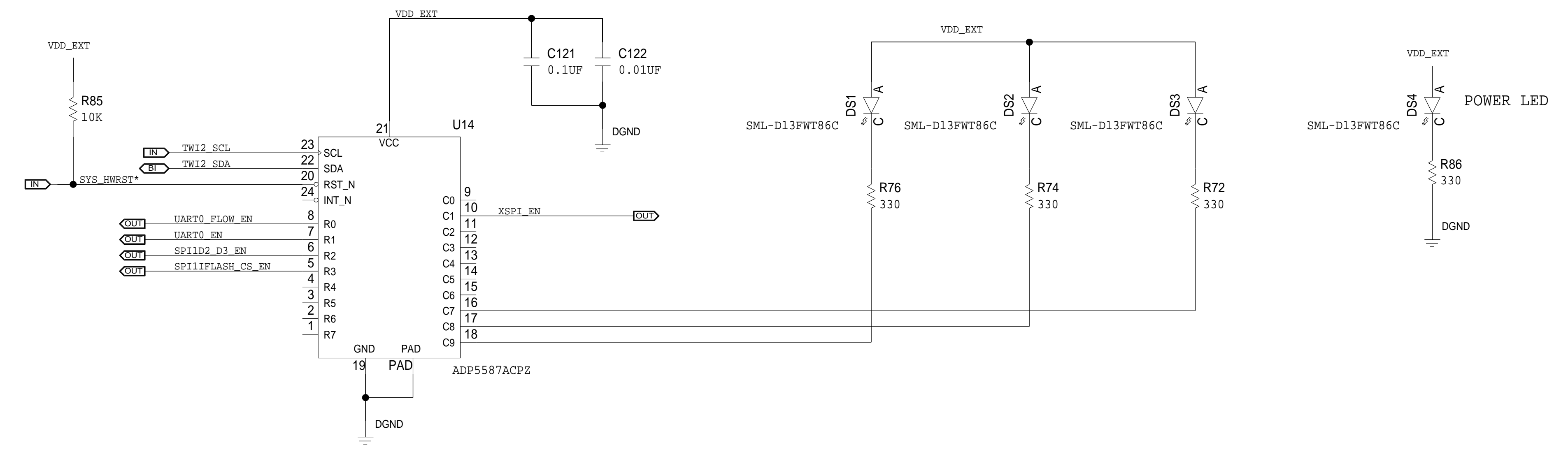
	SCHEMATIC		
	HW TYPE : Customer Evaluation Product(s) : ADSP-21568 : 21568		
DESIGN VIEW <DESIGN_VIEW>	DRAWING NO. 02_074161	REV B	
PTD ENGINEER D. HARRINGTON	SIZE D	SCALE 1:1	SHEET 6 OF 12

REVISIONS			
REV	DESCRIPTION	DATE	APPROVED

DEFAULT SOFTCONFIG STATES

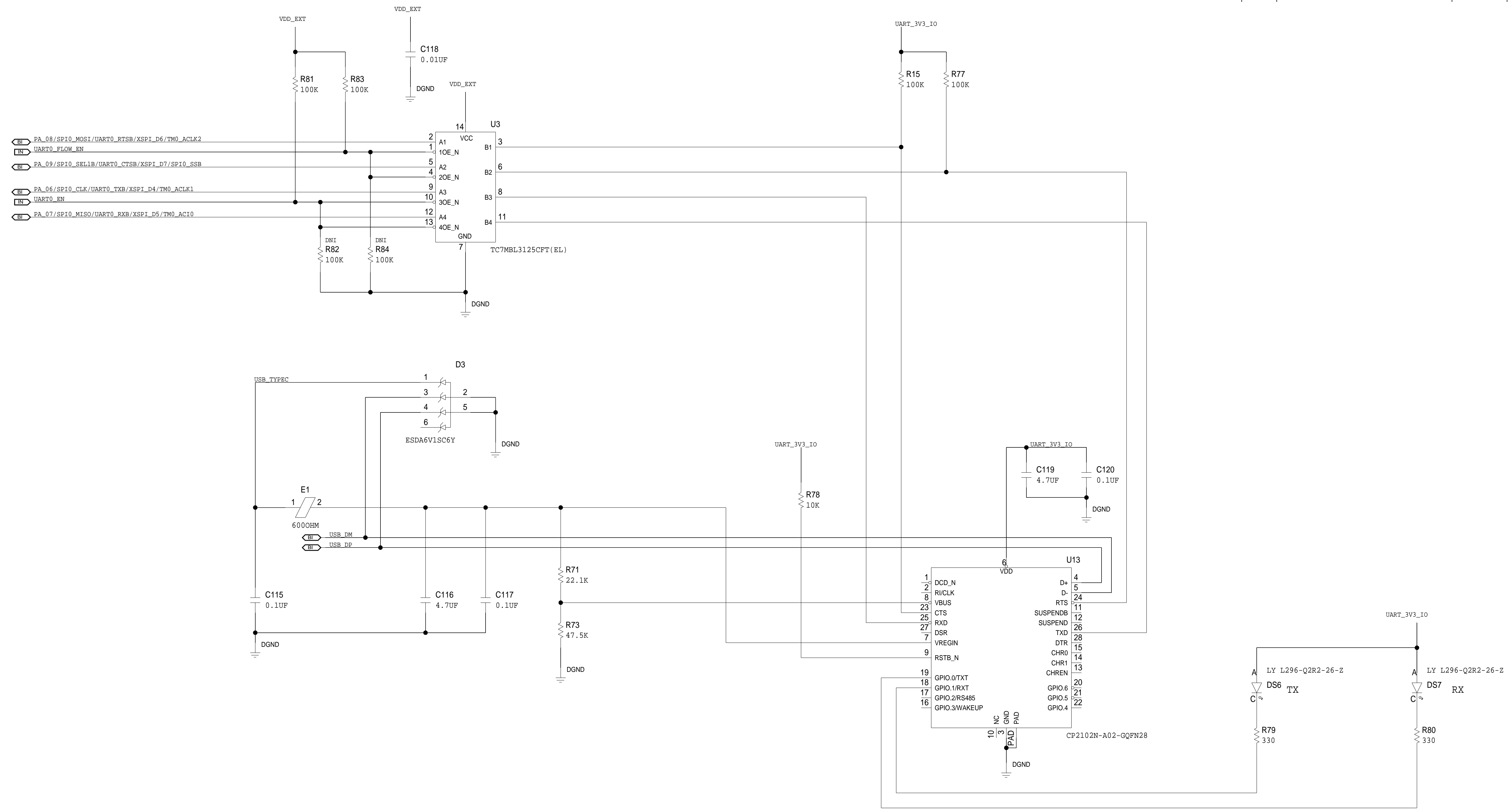
SIGNAL	STATE
UART0_FLOW_EN*	LOW
UART0_EN*	LOW
SPI1D2_D3-EN*	LOW
SPI1FLASH_CS_EN*	LOW
SOM_XSPI_EN*	HIGH
XSPI_EN*	LOW

TWI ADDRESS 0X68



	SCHEMATIC		
	HW TYPE : Customer Evaluation Product(s) : ADSP-21568 : 21568		
<small>THIS DRAWING IS THE PROPERTY OF ANALOG DEVICES INC. IT IS NOT TO BE REPRODUCED OR COPIED, IN WHOLE OR IN PART, OR USED IN FURNISHING INFORMATION TO OTHERS, OR FOR ANY OTHER PURPOSE DETRIMENTAL TO THE INTERESTS OF ANALOG DEVICES. THE EQUIPMENT SHOWN HEREON MAY BE PROTECTED BY PATENTS OWNED OR CONTROLLED BY ANALOG DEVICES.</small>	DESIGN VIEW <DESIGN_VIEW>	DRAWING NO. 02_074161	REV B
PTD ENGINEER D. HARRINGTON	SIZE D	SCALE 1:1	SHEET 7 OF 12

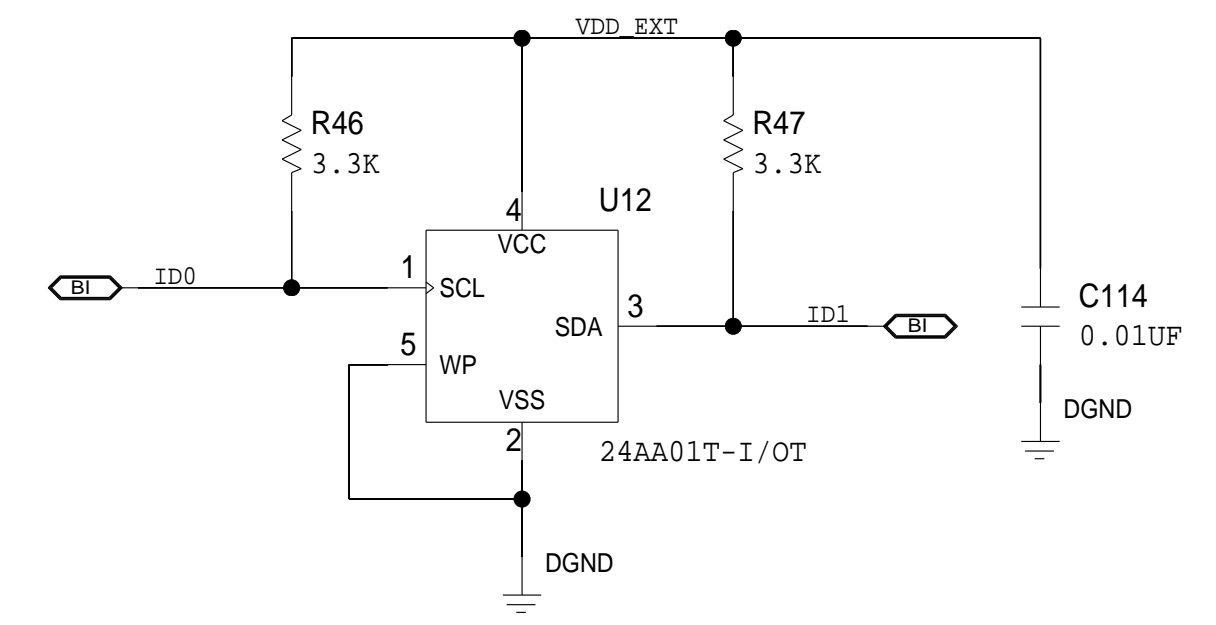
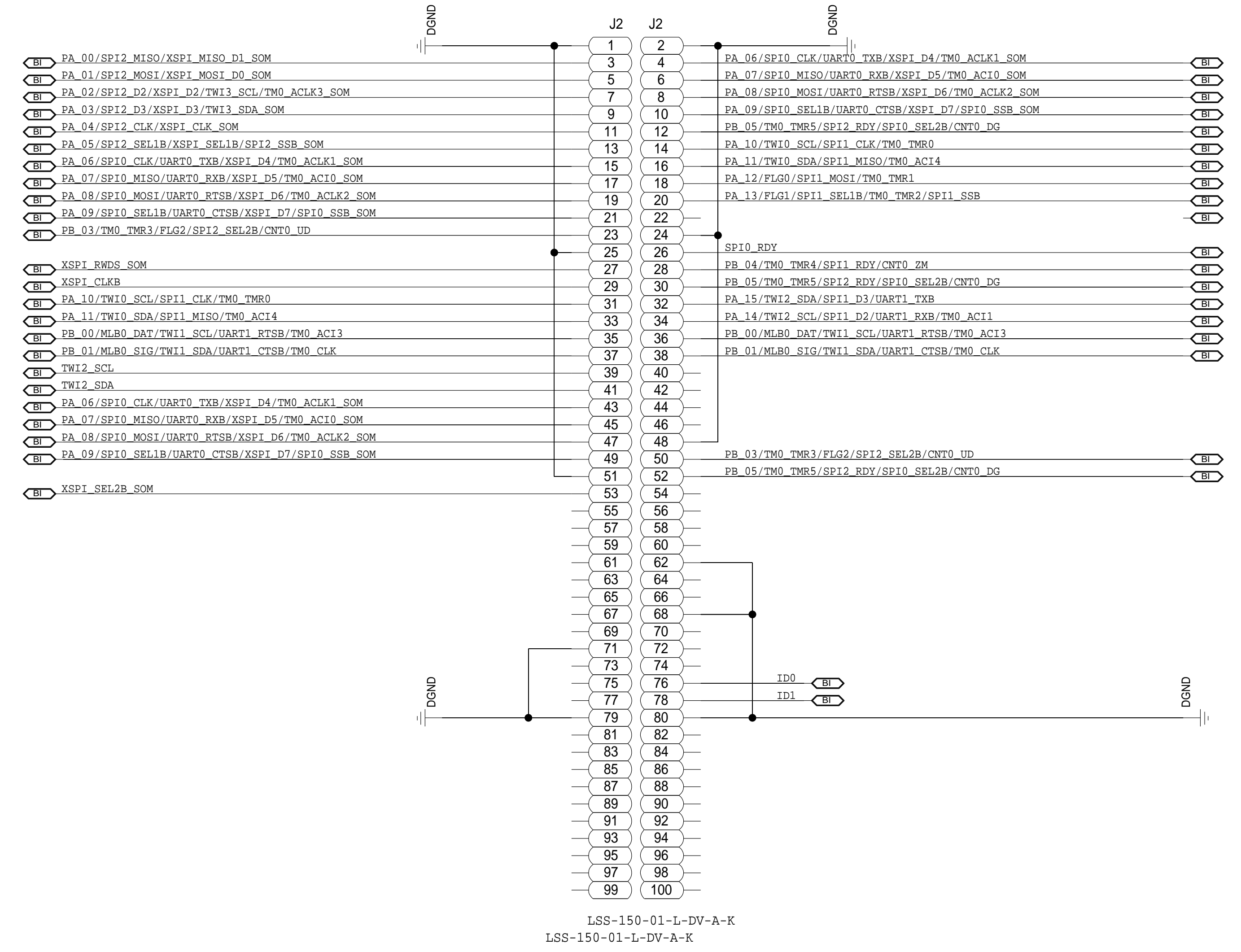
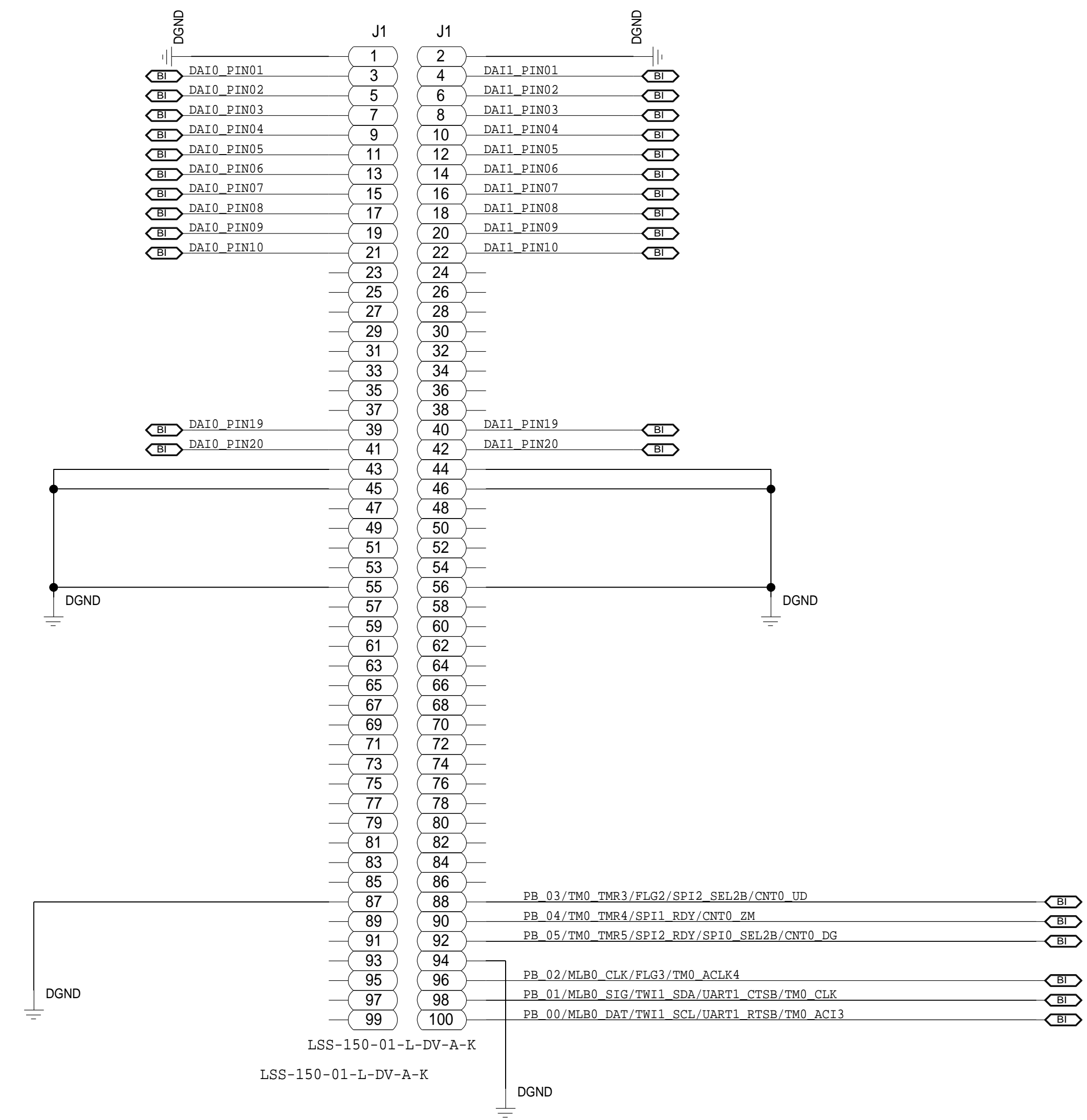
REVISIONS			
REV	DESCRIPTION	DATE	APPROVED



UART IS DISABLED BY DEFAULT.

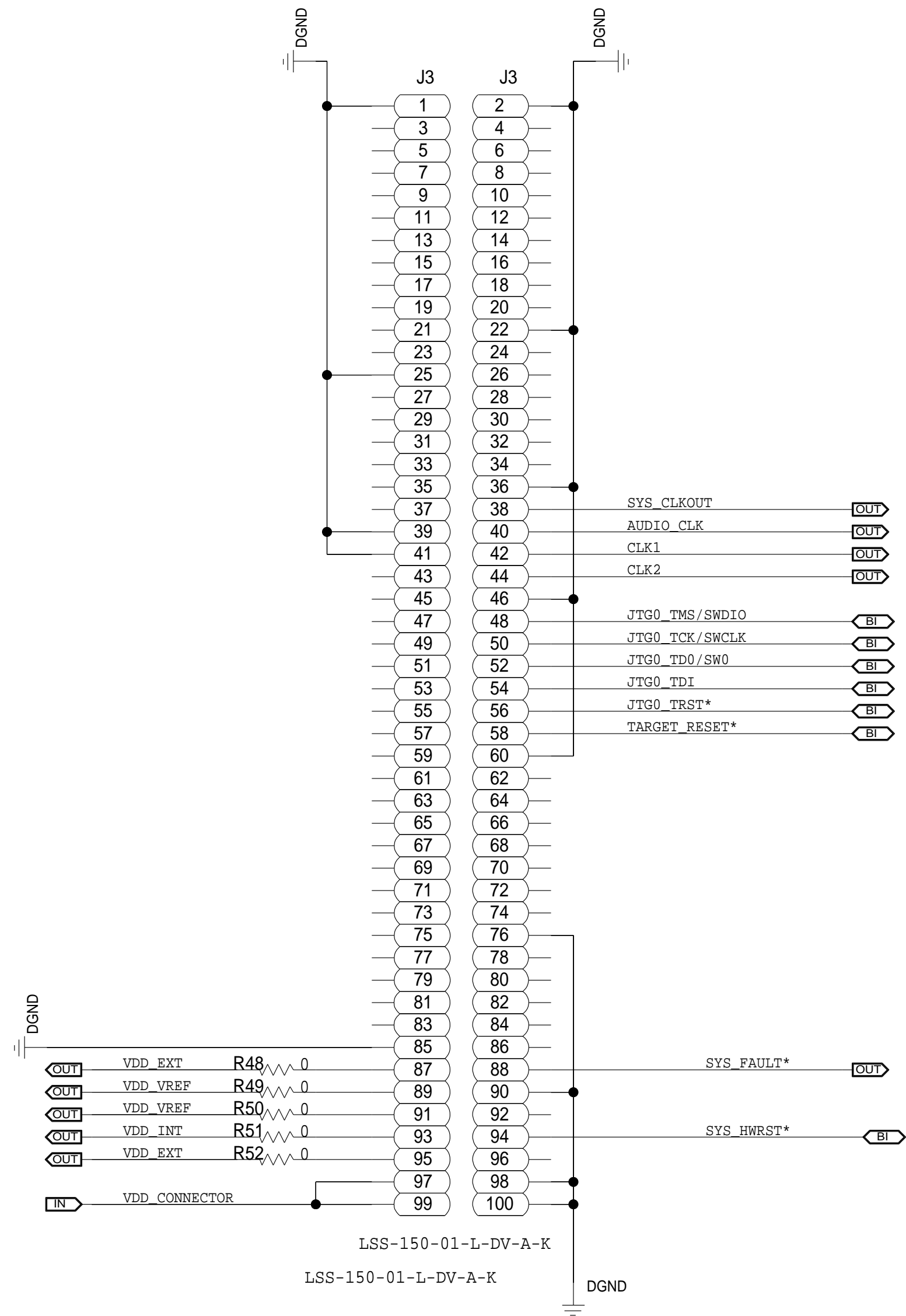
	SCHEMATIC		
	HW TYPE : Customer Evaluation Product(s) : ADSP-21568 : 21568		
DESIGN VIEW <DESIGN_VIEW>	DRAWING NO. 02_074161	REV B	
PTD ENGINEER D. HARRINGTON	SIZE D	SCALE 1:1	SHEET 8 OF 12

REVISIONS			
REV	DESCRIPTION	DATE	APPROVED



	SCHEMATIC		
	HW TYPE : Customer Evaluation Product(s) : ADSP-21568 : 21568		
DESIGN VIEW <DESIGN_VIEW>	DRAWING NO. 02_074161	REV B	
PTD ENGINEER D. HARRINGTON	SIZE D	SCALE 1:1	SHEET 9 OF 12

REVISIONS			
REV	DESCRIPTION	DATE	APPROVED



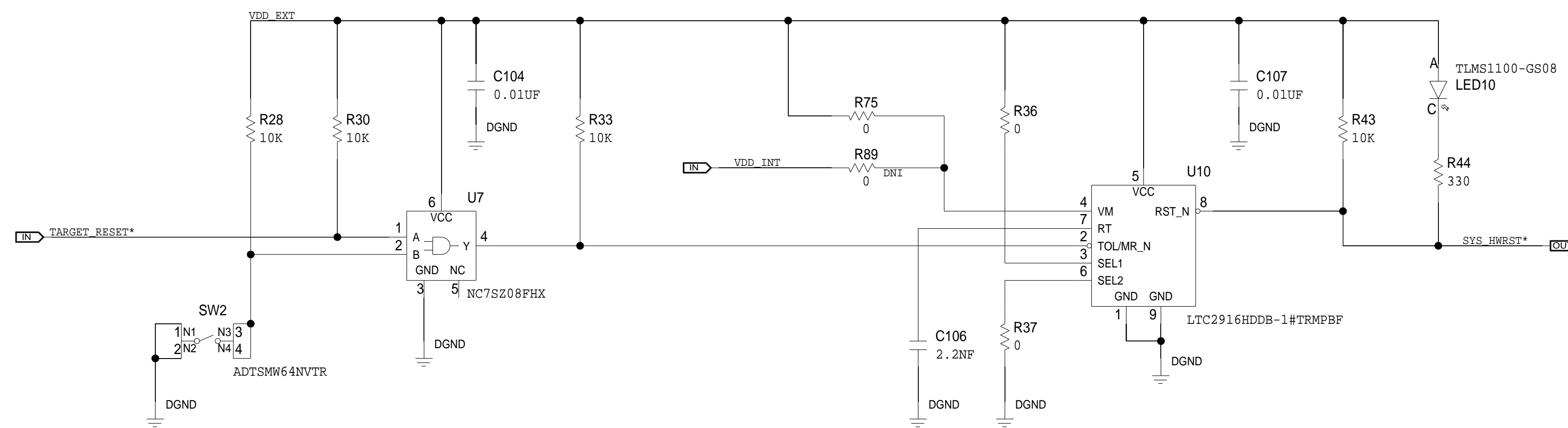
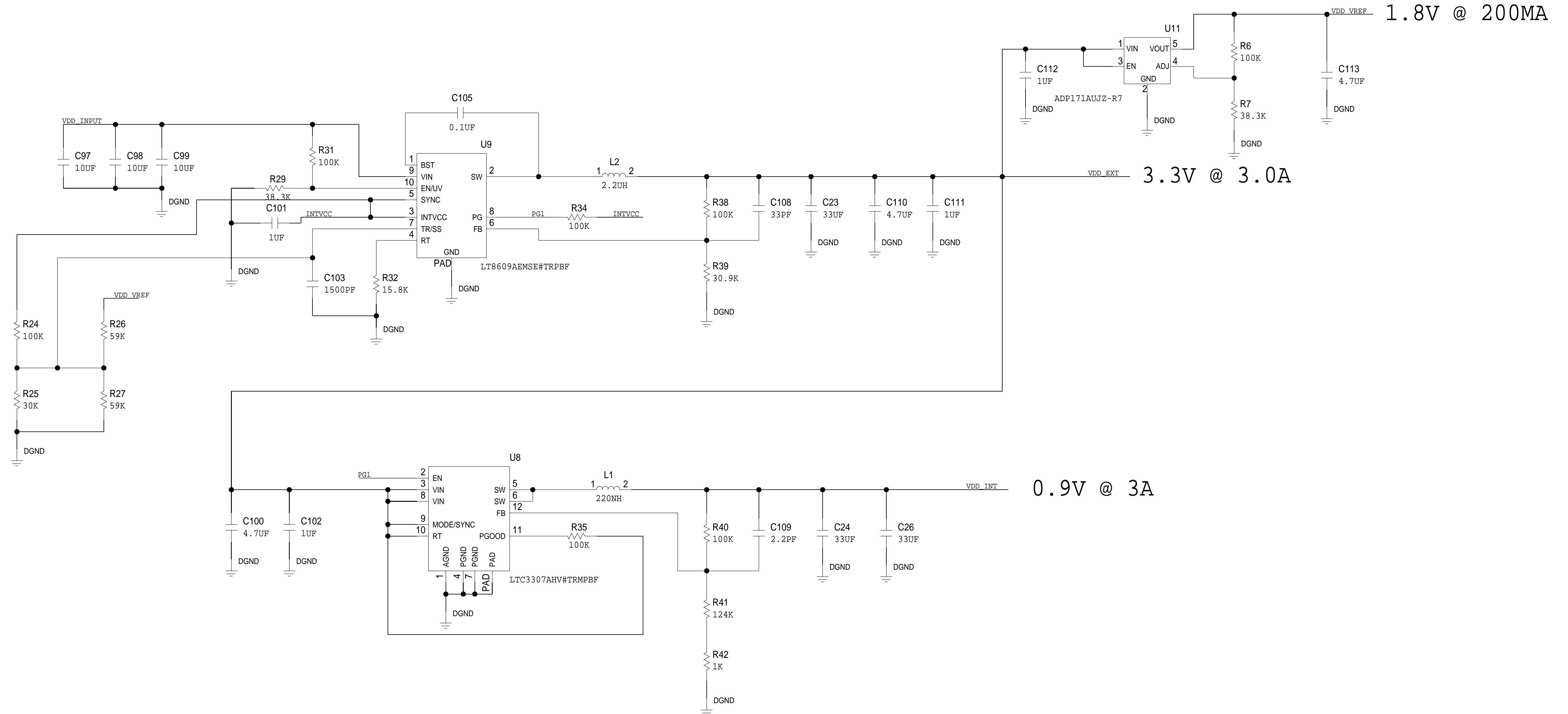
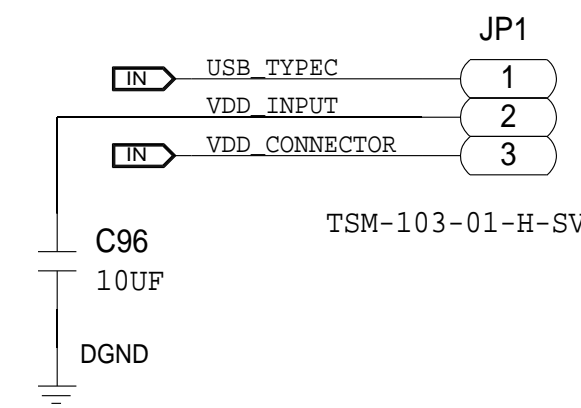
	SCHEMATIC		
	HW TYPE : Customer Evaluation Product(s) : ADSP-21568 : 21568		
<small>THIS DRAWING IS THE PROPERTY OF ANALOG DEVICES INC. IT IS NOT TO BE REPRODUCED OR COPIED IN WHOLE OR IN PART, OR USED IN FURNISHING INFORMATION TO OTHERS, OR FOR ANY OTHER PURPOSE DETRIMENTAL TO THE INTERESTS OF ANALOG DEVICES. THE EQUIPMENT SHOWN HEREON MAY BE PROTECTED BY PATENTS OWNED OR CONTROLLED BY ANALOG DEVICES.</small>	DESIGN VIEW <DESIGN_VIEW>	DRAWING NO. 02_074161	REV B
PTD ENGINEER D. HARRINGTON	SIZE D	SCALE 1:1	SHEET 10 OF 12

POWER INPUT SETTINGS

JP1 PIN 1&2 POWER BY USB

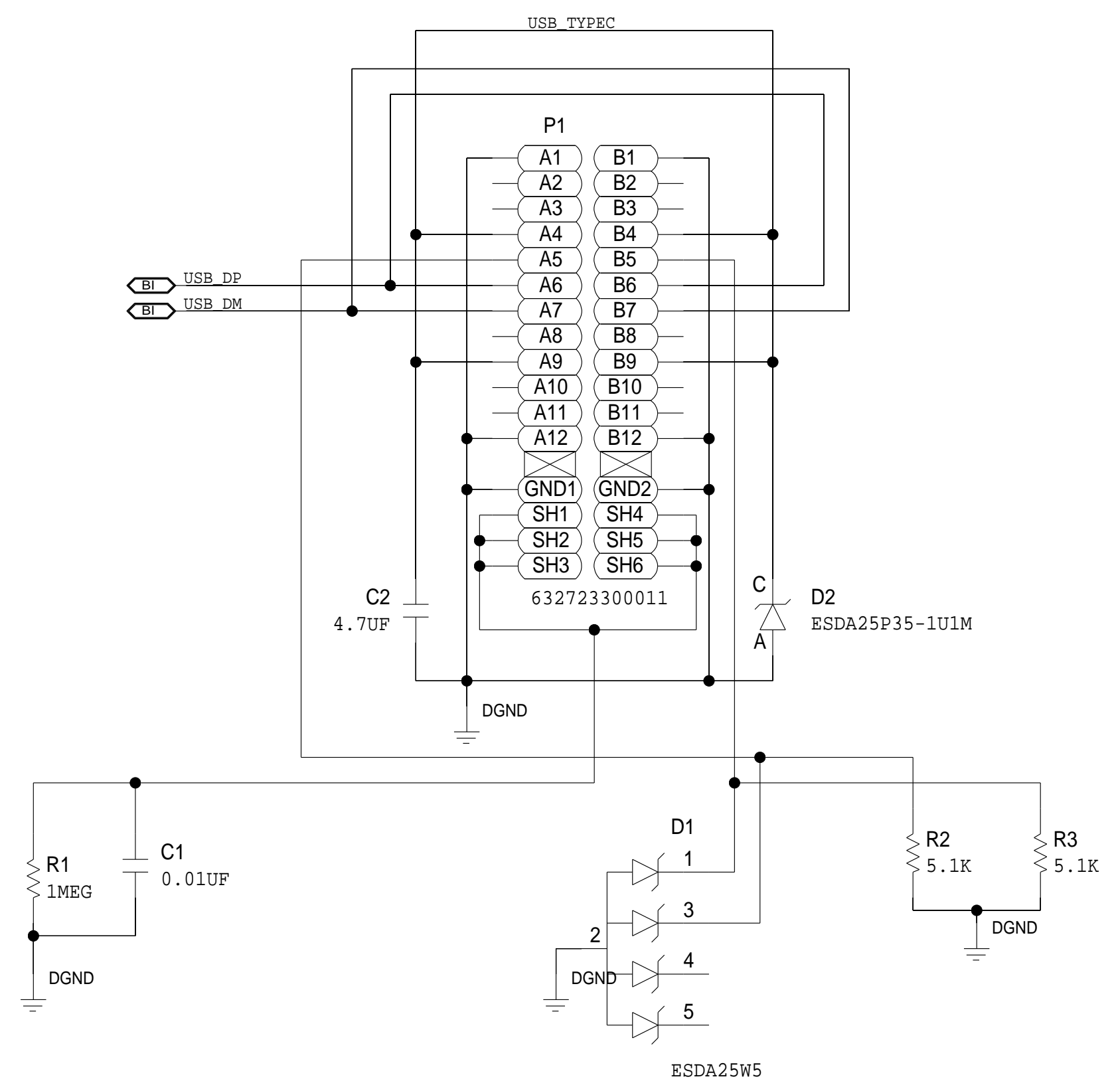
JP1 PIN 2&3 POWER BY SOM CONNECTOR

REVISIONS			
REV	DESCRIPTION	DATE	APPROVED



	SCHEMATIC		
	HW TYPE : Customer Evaluation Product(s) : ADSP-21568 : 21568		
DESIGN VIEW <DESIGN_VIEW>	DRAWING NO. 02_074161	REV B	
PTD ENGINEER D. HARRINGTON	SIZE D	SCALE 1:1	SHEET 11 OF 12

REVISIONS			
REV	DESCRIPTION	DATE	APPROVED



USB PD MODES
5V 3A FIXED MODE - 5.1K PULL DOWN ON CC1 CC2

	SCHEMATIC		
	HW TYPE : Customer Evaluation Product(s) : ADSP-21568 : 21568		
	DESIGN VIEW <DESIGN_VIEW>	DRAWING NO. 02_074161	REV B
PTD ENGINEER D. HARRINGTON	SIZE D	SCALE 1:1	SHEET 12 OF 12