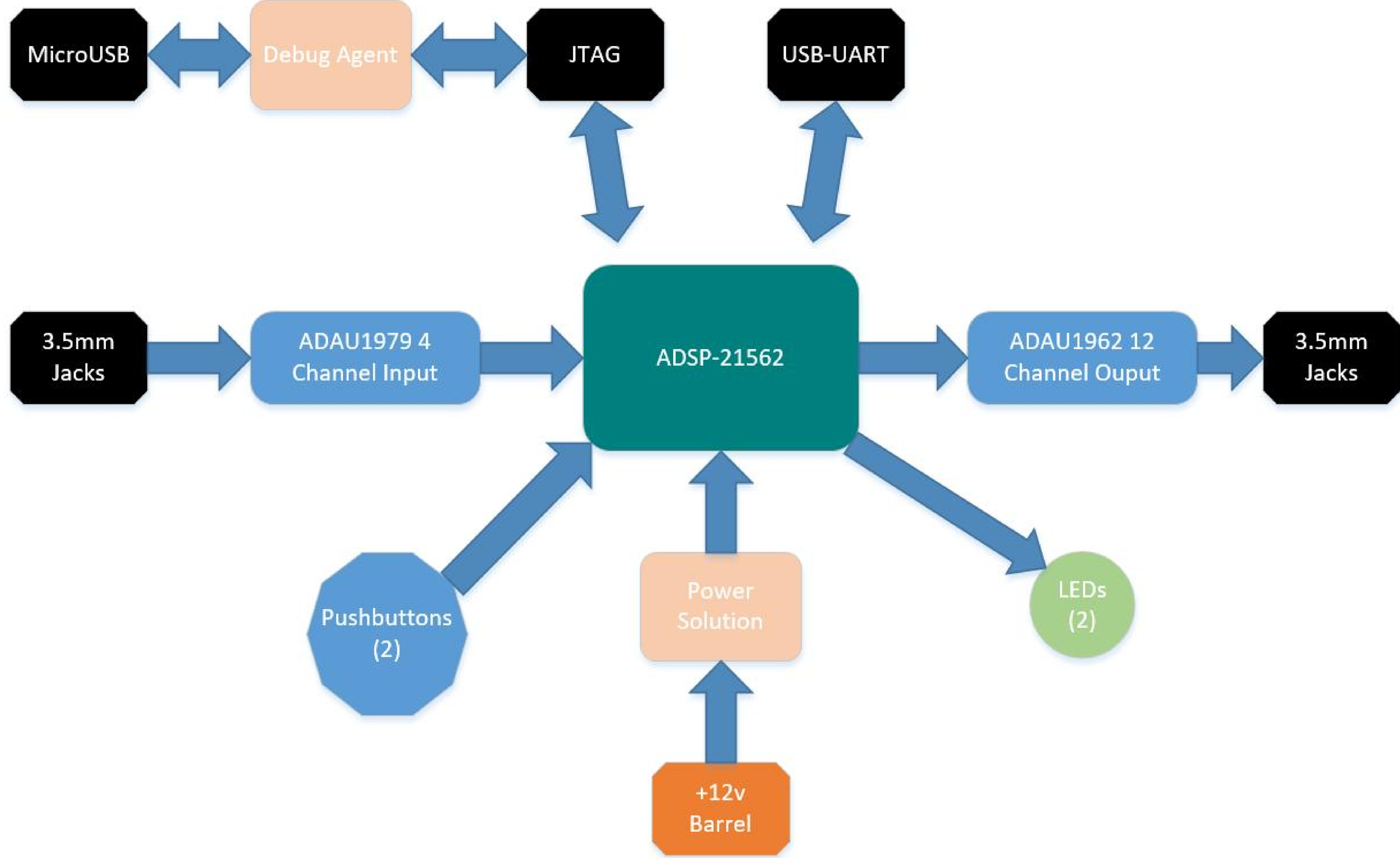
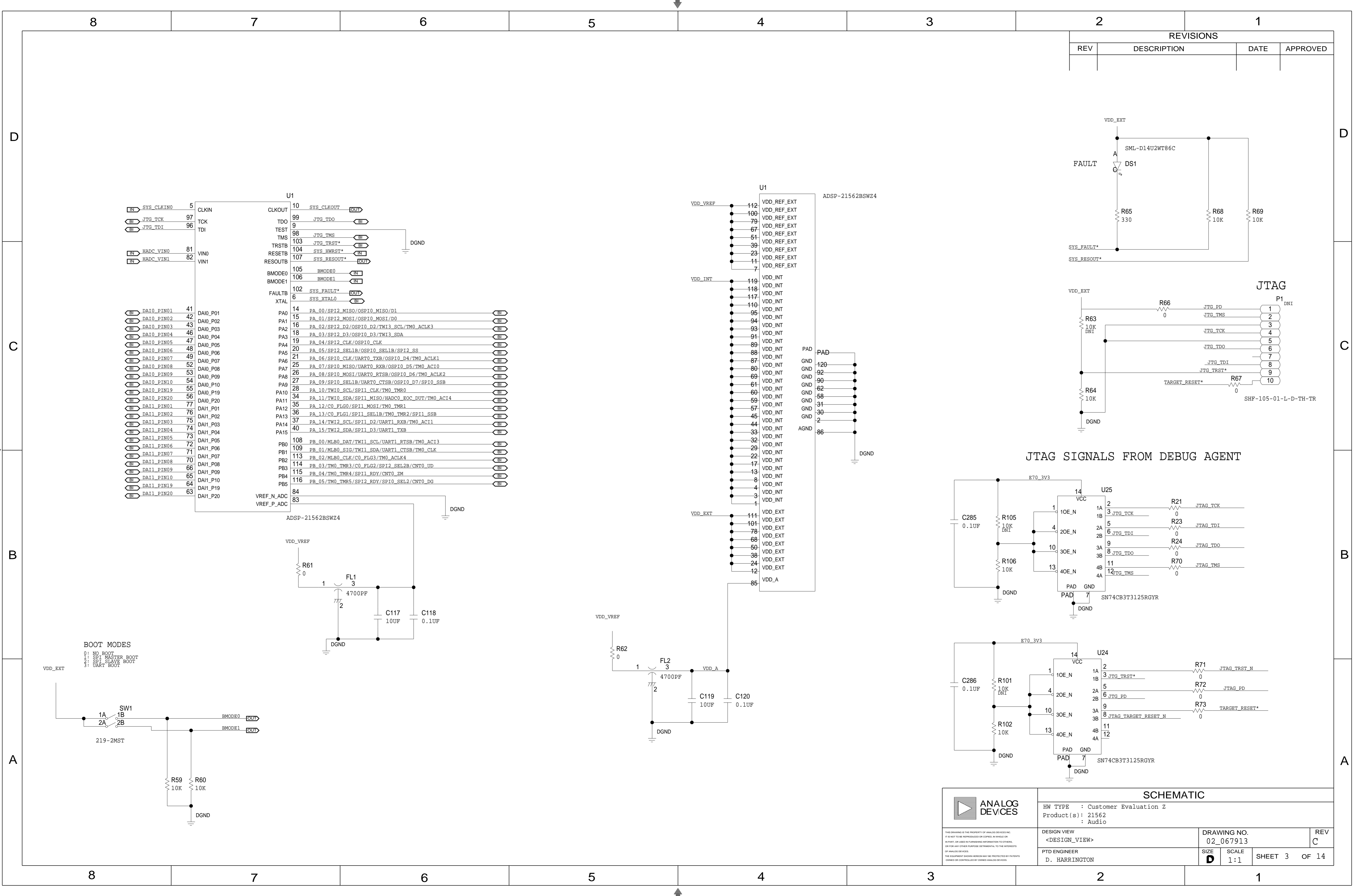


REVISIONS			
REV	DESCRIPTION	DATE	APPROVED



	SCHEMATIC		
	HW TYPE : Customer Evaluation Z Product(s) : 21562 : Audio		
	DESIGN VIEW <DESIGN_VIEW>	DRAWING NO. 02_067913	REV C
	PTD ENGINEER D. HARRINGTON	SIZE D	SCALE 1:1
		SHEET 2 OF 14	

REVISIONS			
REV	DESCRIPTION	DATE	APPROVED

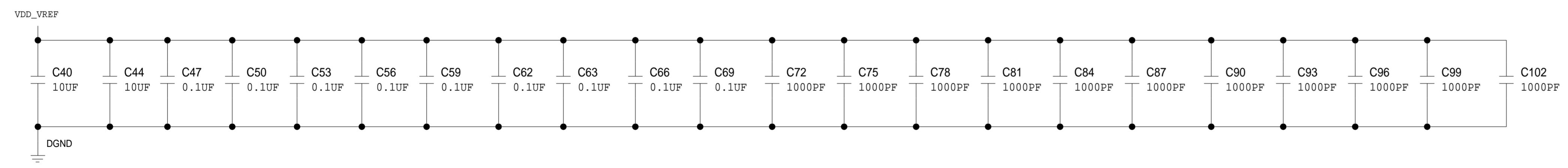
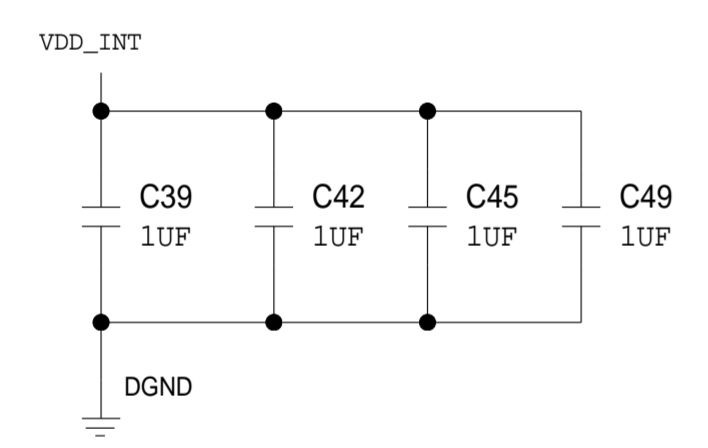
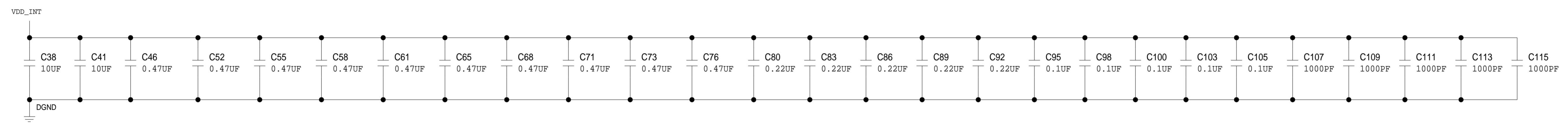
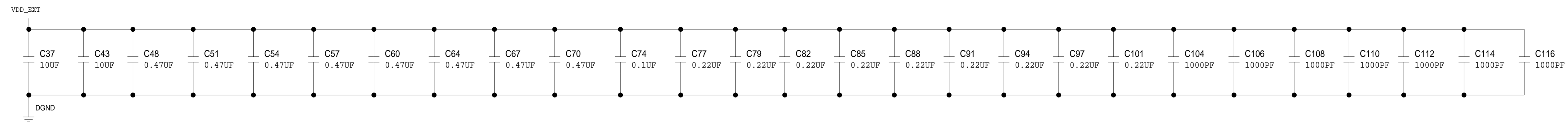


BOOT MODES
 0: NO BOOT
 1: SPI MASTER BOOT
 2: SPI SLAVE BOOT
 3: UART BOOT

JTAG SIGNALS FROM DEBUG AGENT

SCHEMATIC				
HW TYPE : Customer Evaluation Z Product(s) : 21562 : Audio		DESIGN VIEW <DESIGN_VIEW>	DRAWING NO. 02_067913	REV C
PTD ENGINEER D. HARRINGTON		SIZE D	SCALE 1:1	SHEET 3 OF 14

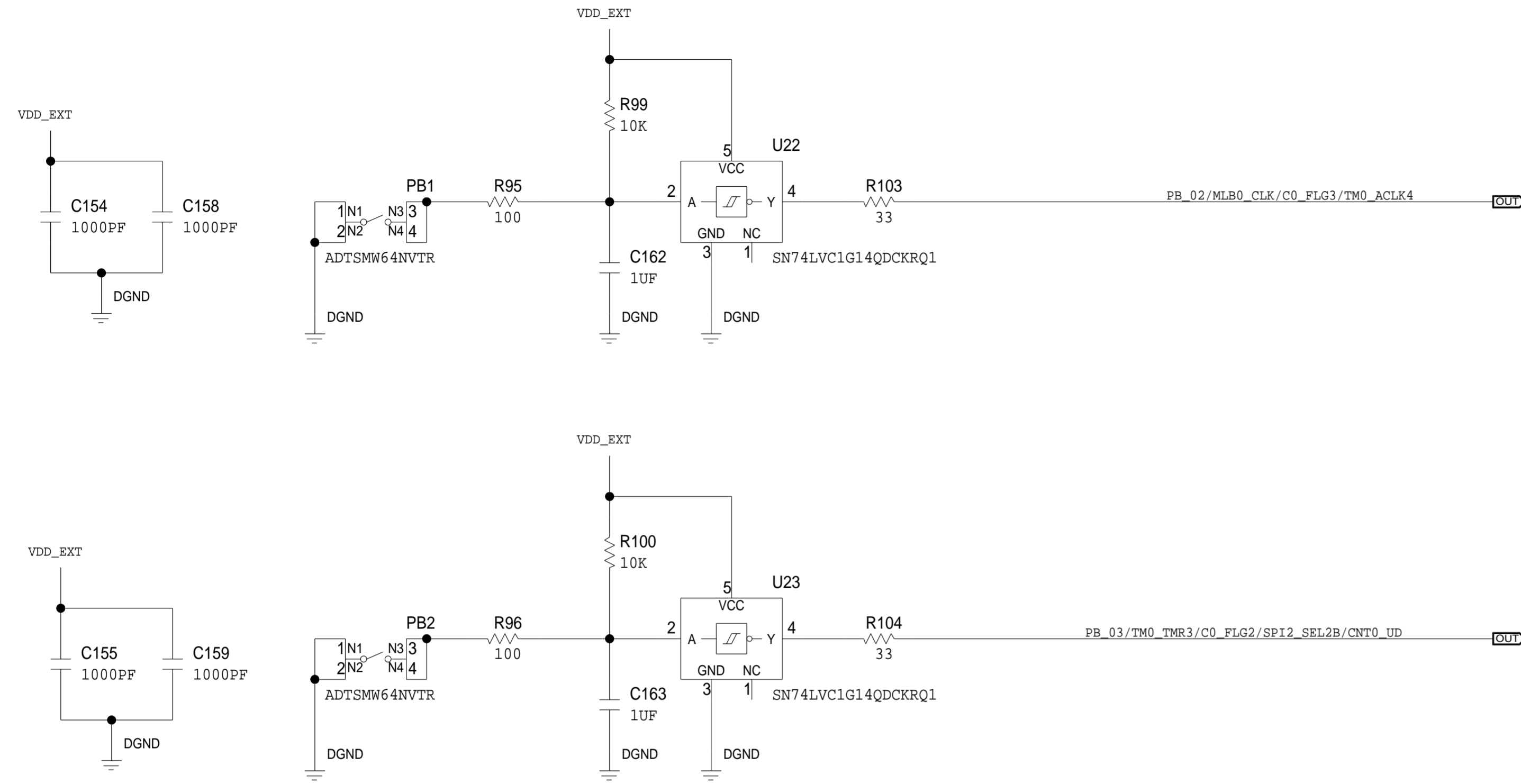
REVISIONS			
REV	DESCRIPTION	DATE	APPROVED



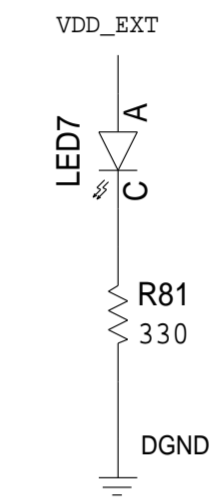
	SCHEMATIC		
	HW TYPE : Customer Evaluation Z Product(s): 21562 : Audio		
	DESIGN VIEW <DESIGN_VIEW>	DRAWING NO. 02_067913	REV C
	PTD ENGINEER D. HARRINGTON	SIZE D	SCALE 1:1
		SHEET 4 OF 14	

REVISIONS			
REV	DESCRIPTION	DATE	APPROVED

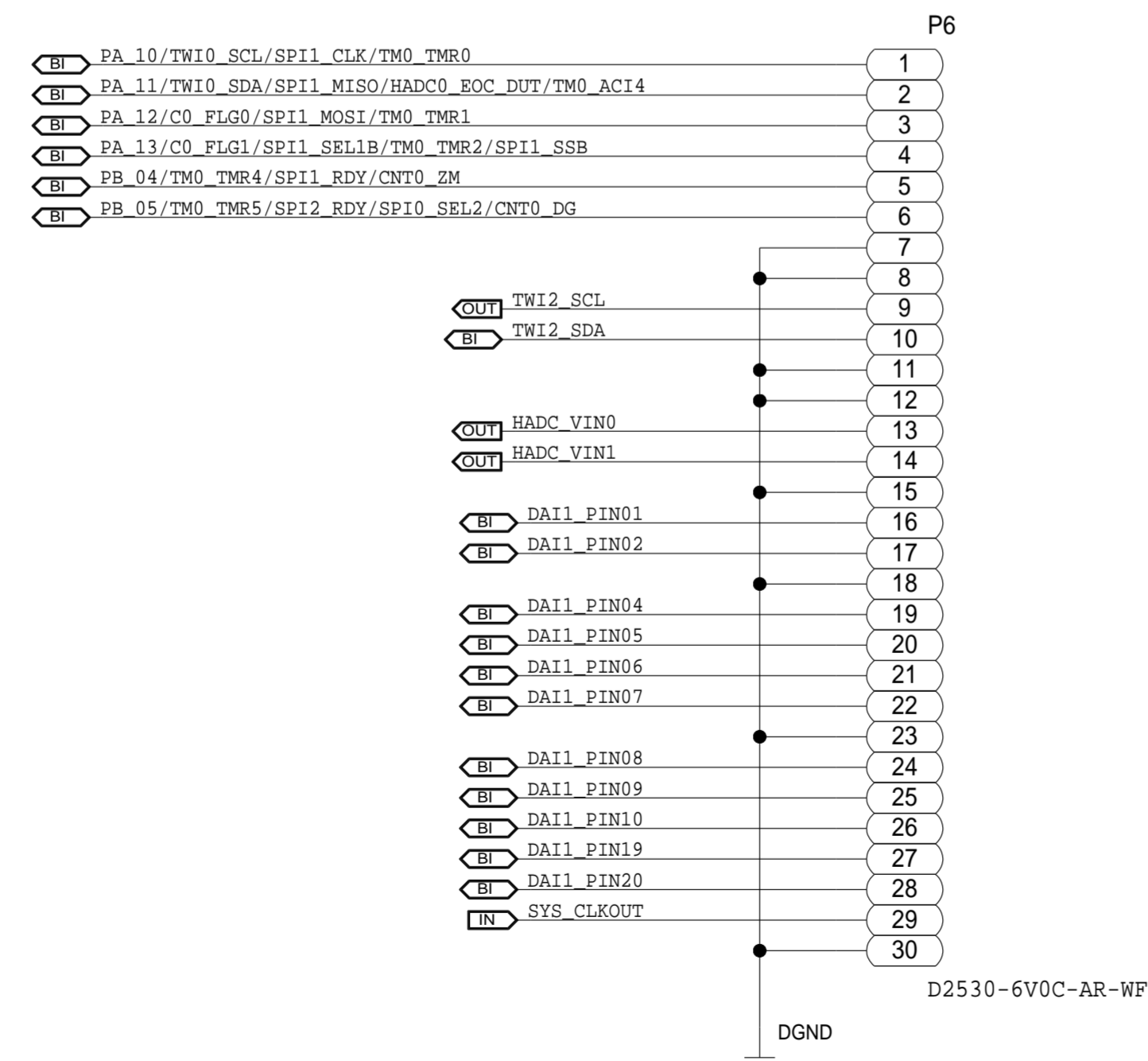
PUSHBUTTONS



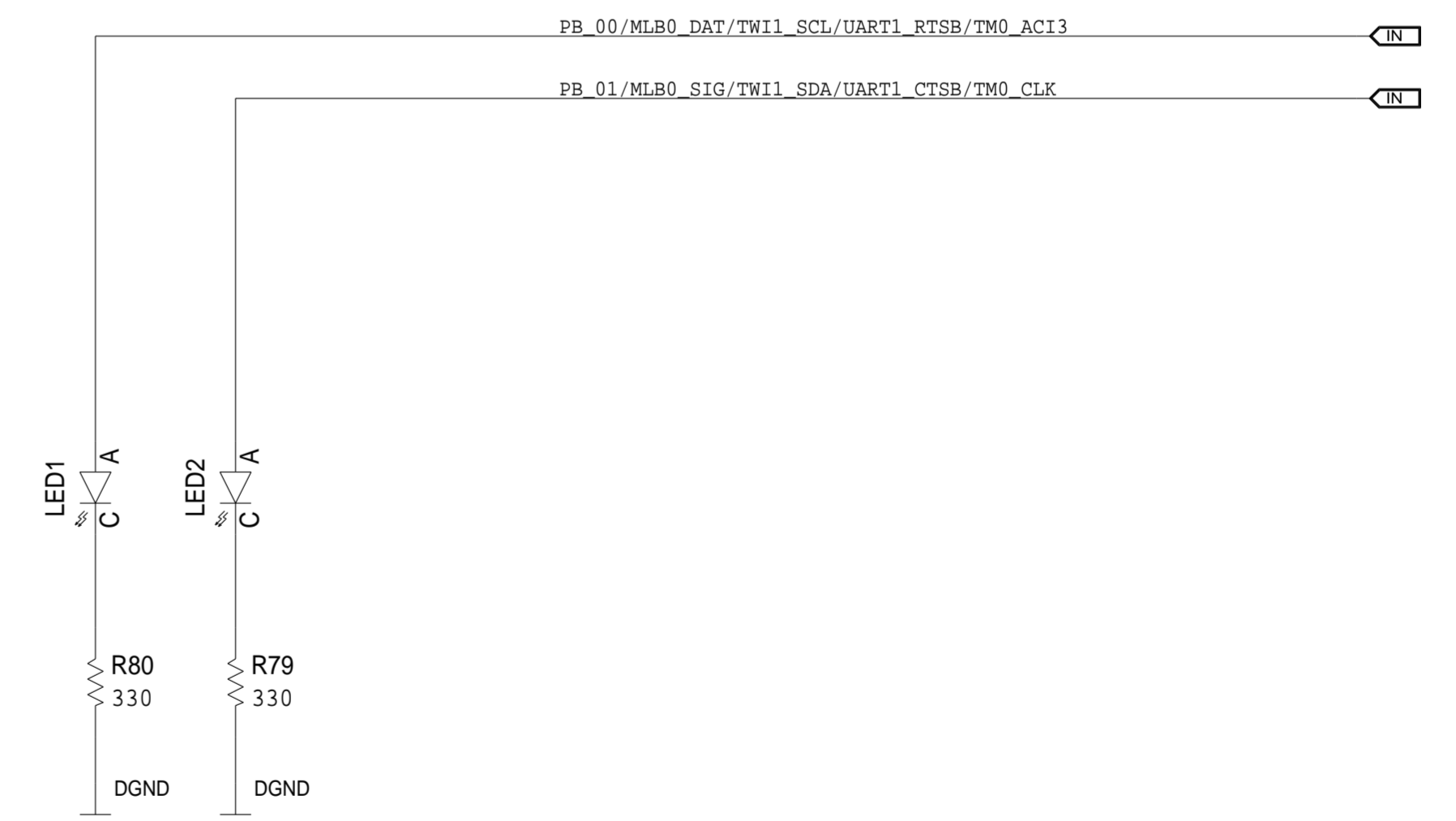
POWER LED



IO HEADER

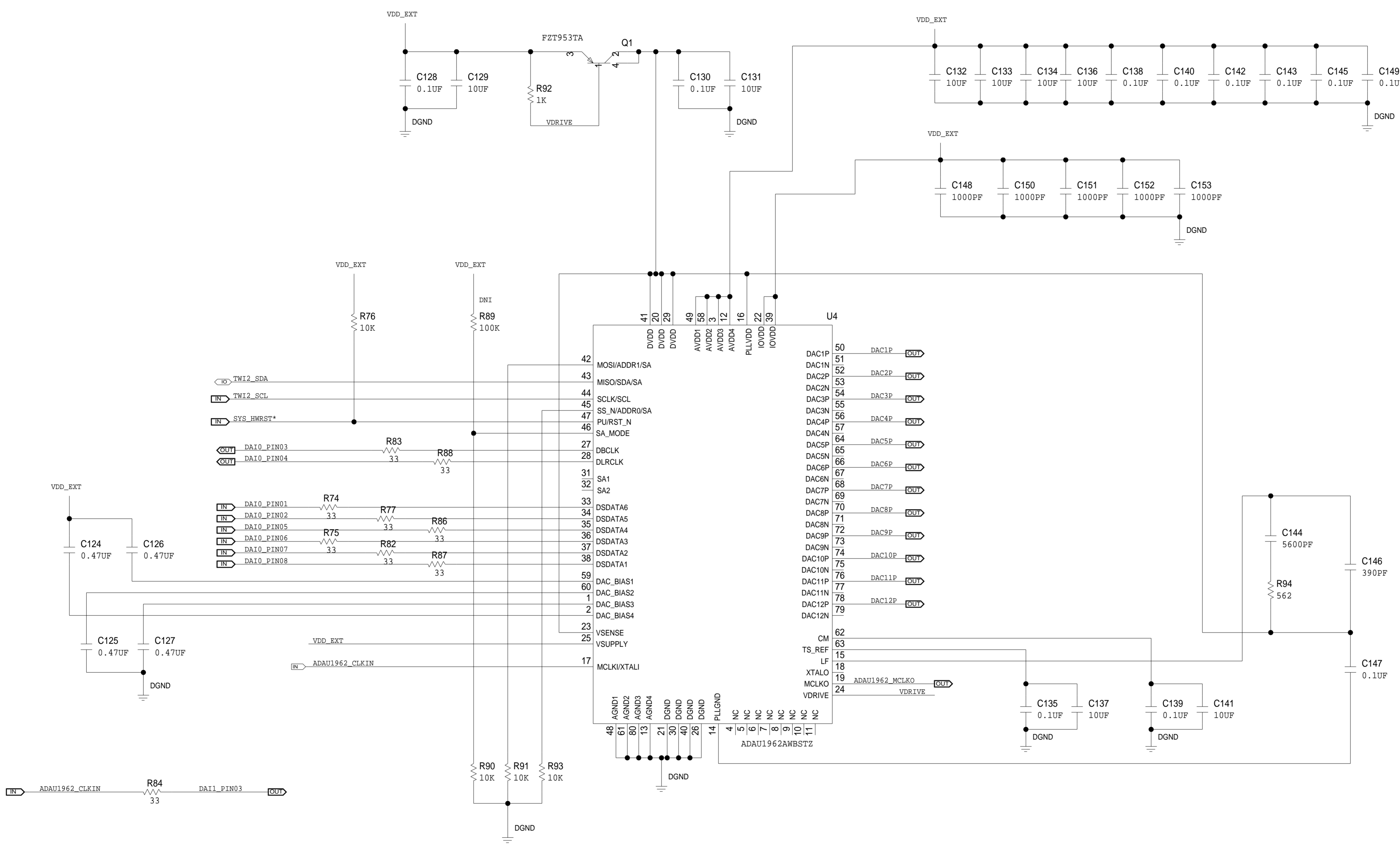


GPIO LED



	SCHEMATIC		
	HW TYPE : Customer Evaluation Z Product(s): 21562 : Audio		
	DESIGN VIEW <DESIGN_VIEW>	DRAWING NO. 02_067913	REV C
PTD ENGINEER D. HARRINGTON	SIZE D	SCALE 1:1	SHEET 6 OF 14

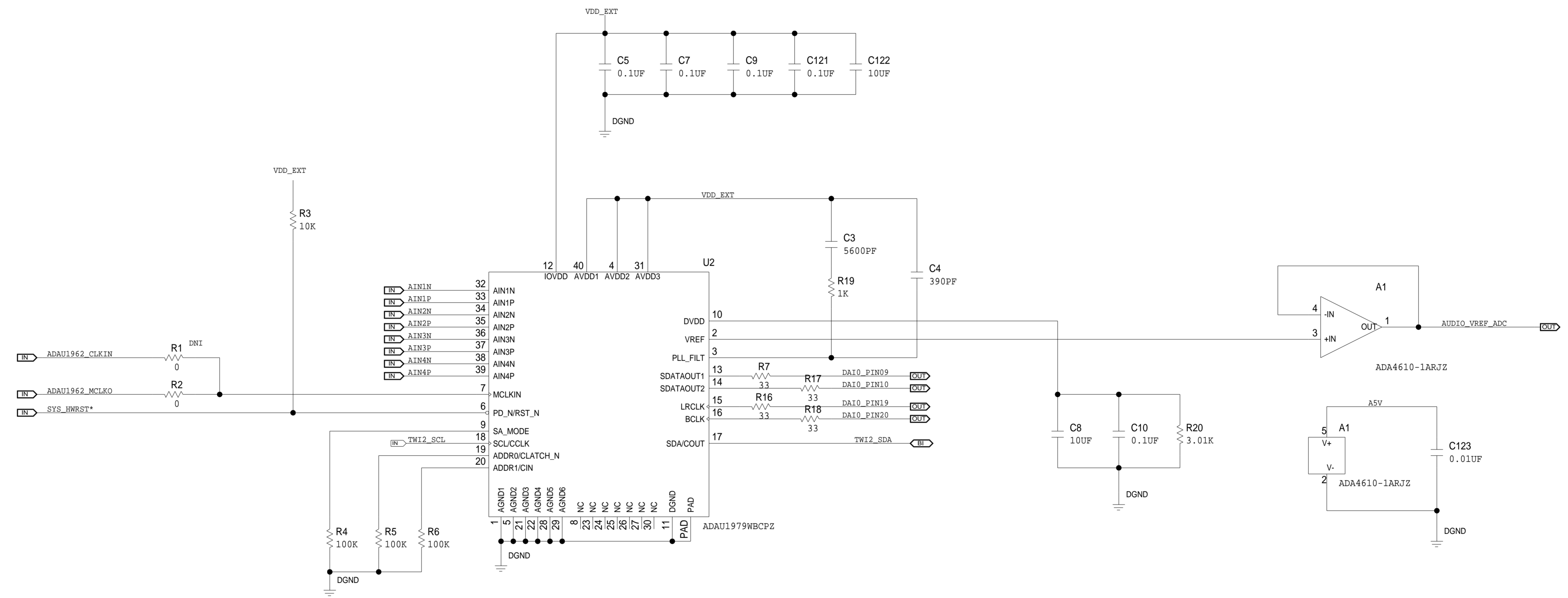
REVISIONS			
REV	DESCRIPTION	DATE	APPROVED



TWI ADDRESS 0000100X
 X IS THE R/W BIT. READ - 1, WRITE - 0

	SCHEMATIC		
	HW TYPE : Customer Evaluation Z Product(s) : 21562 : Audio		
	DESIGN VIEW <DESIGN_VIEW>	DRAWING NO. 02_067913	REV C
	PTD ENGINEER D. HARRINGTON	SIZE D	SCALE 1:1
		SHEET 8 OF 14	

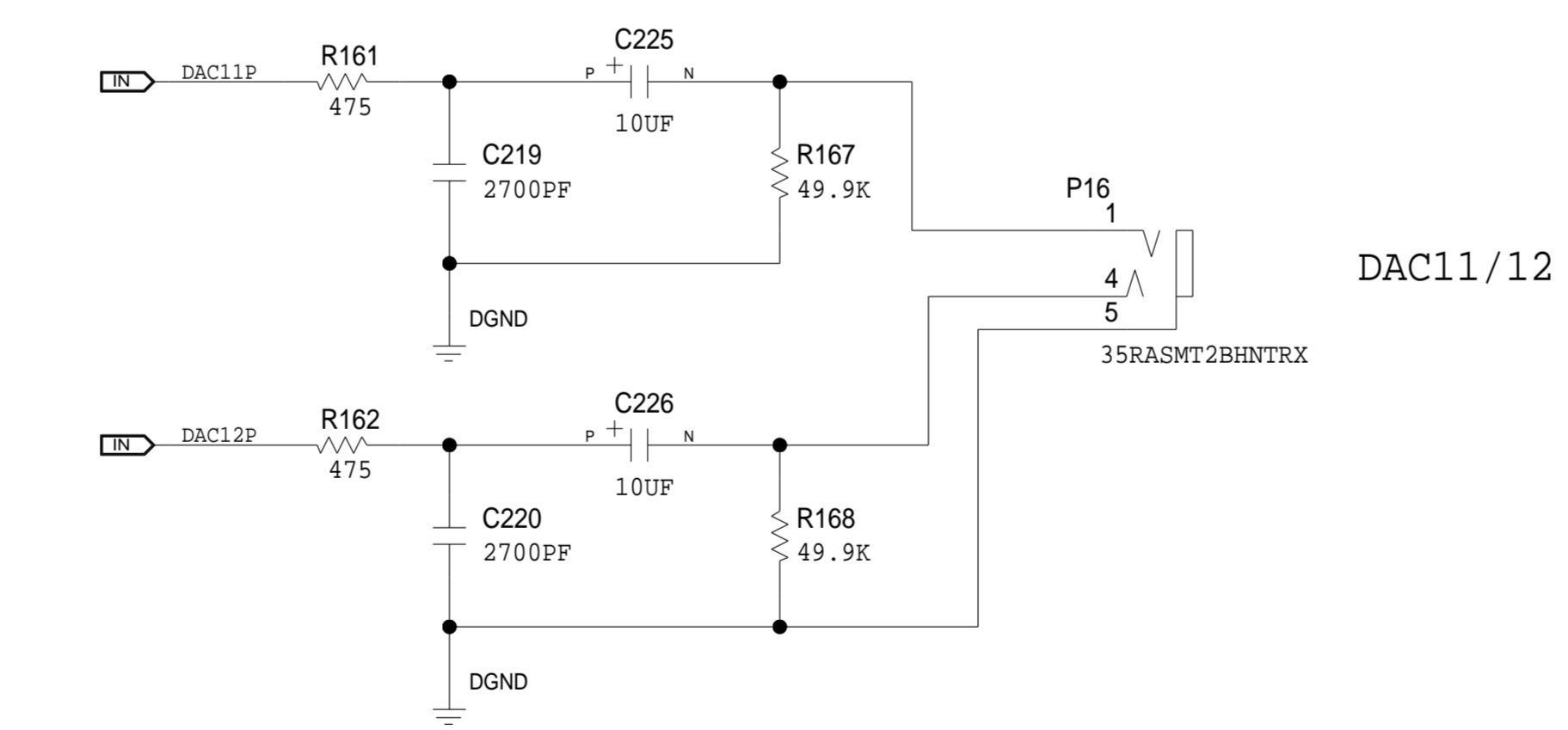
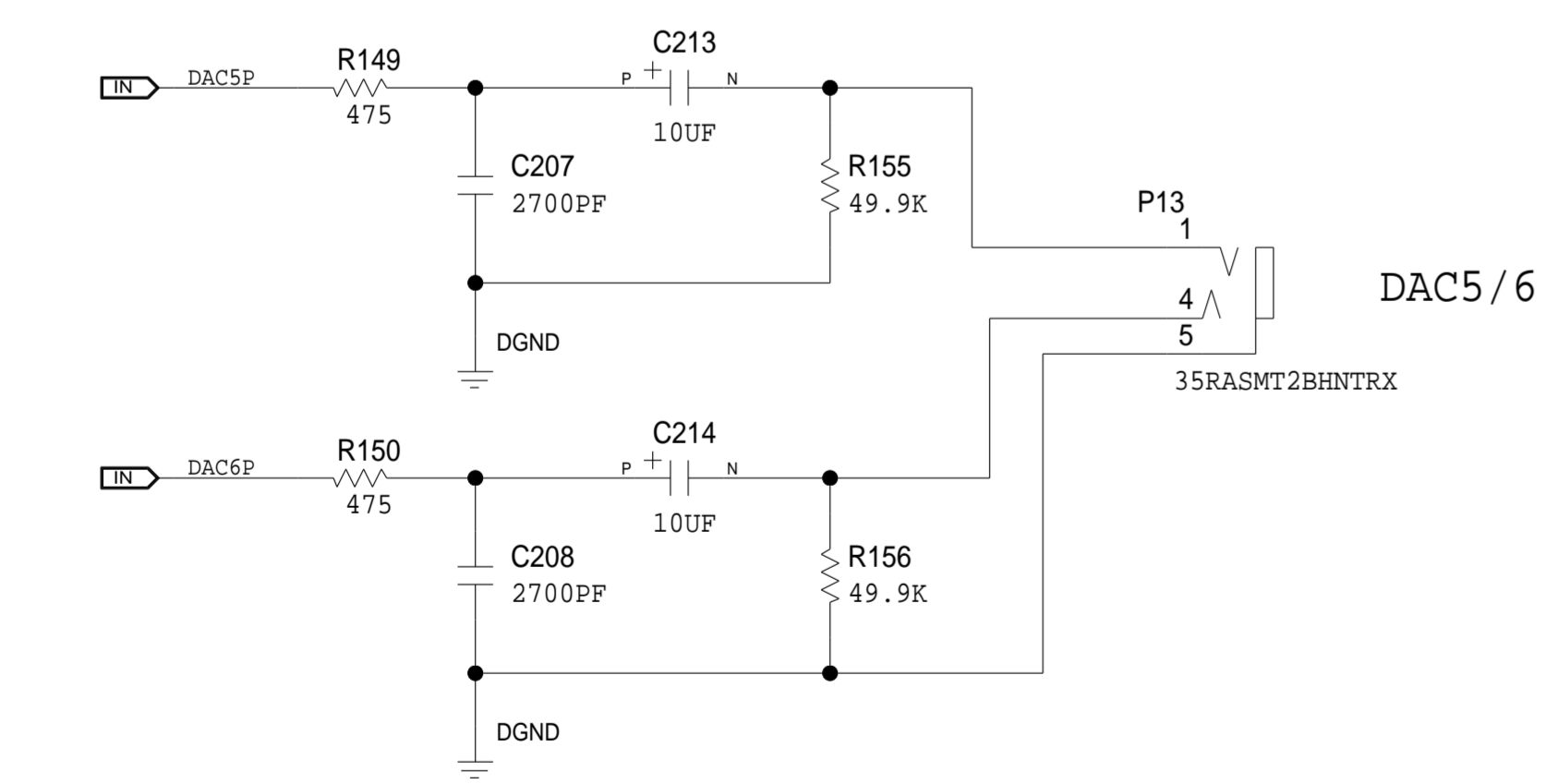
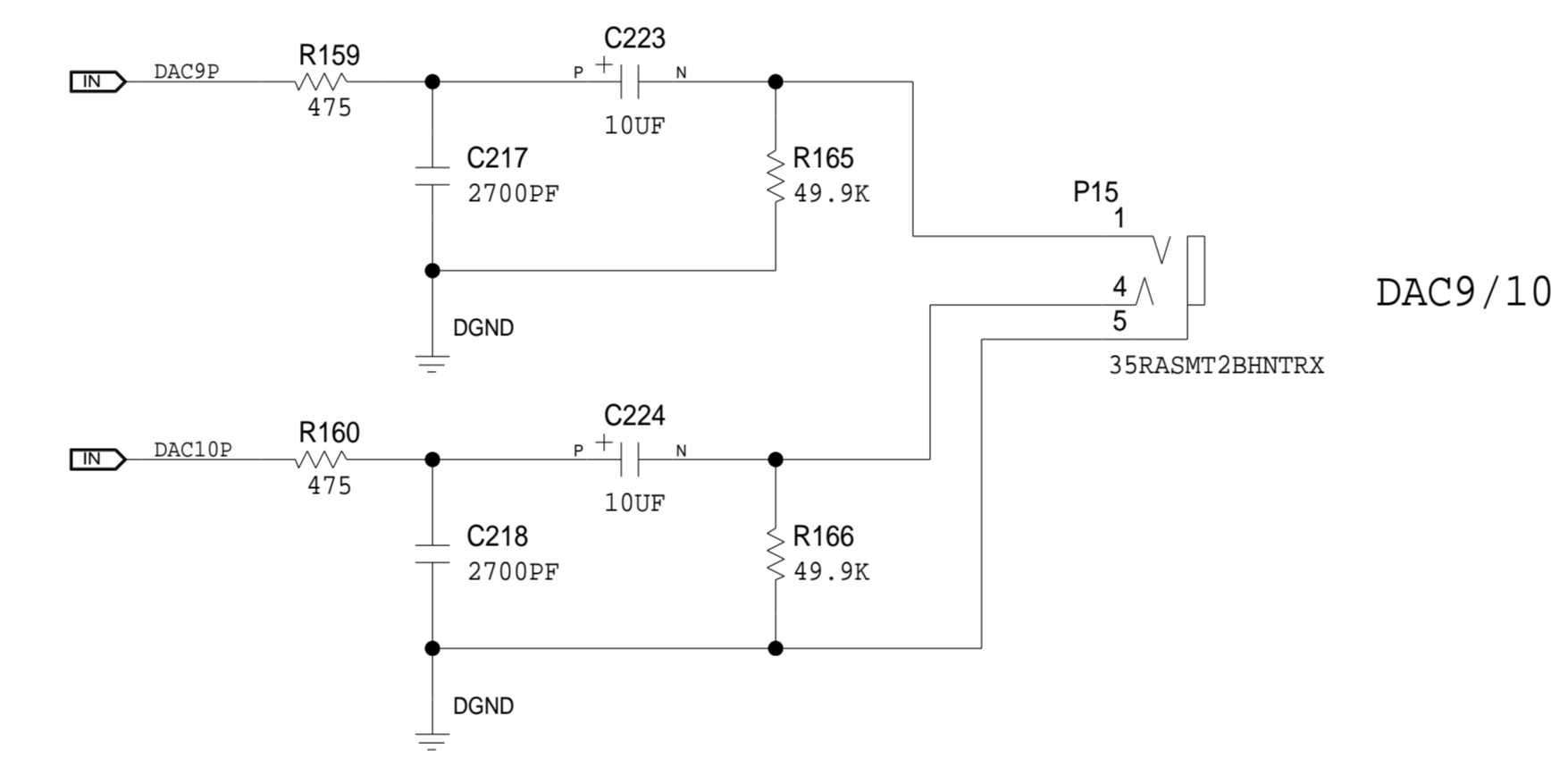
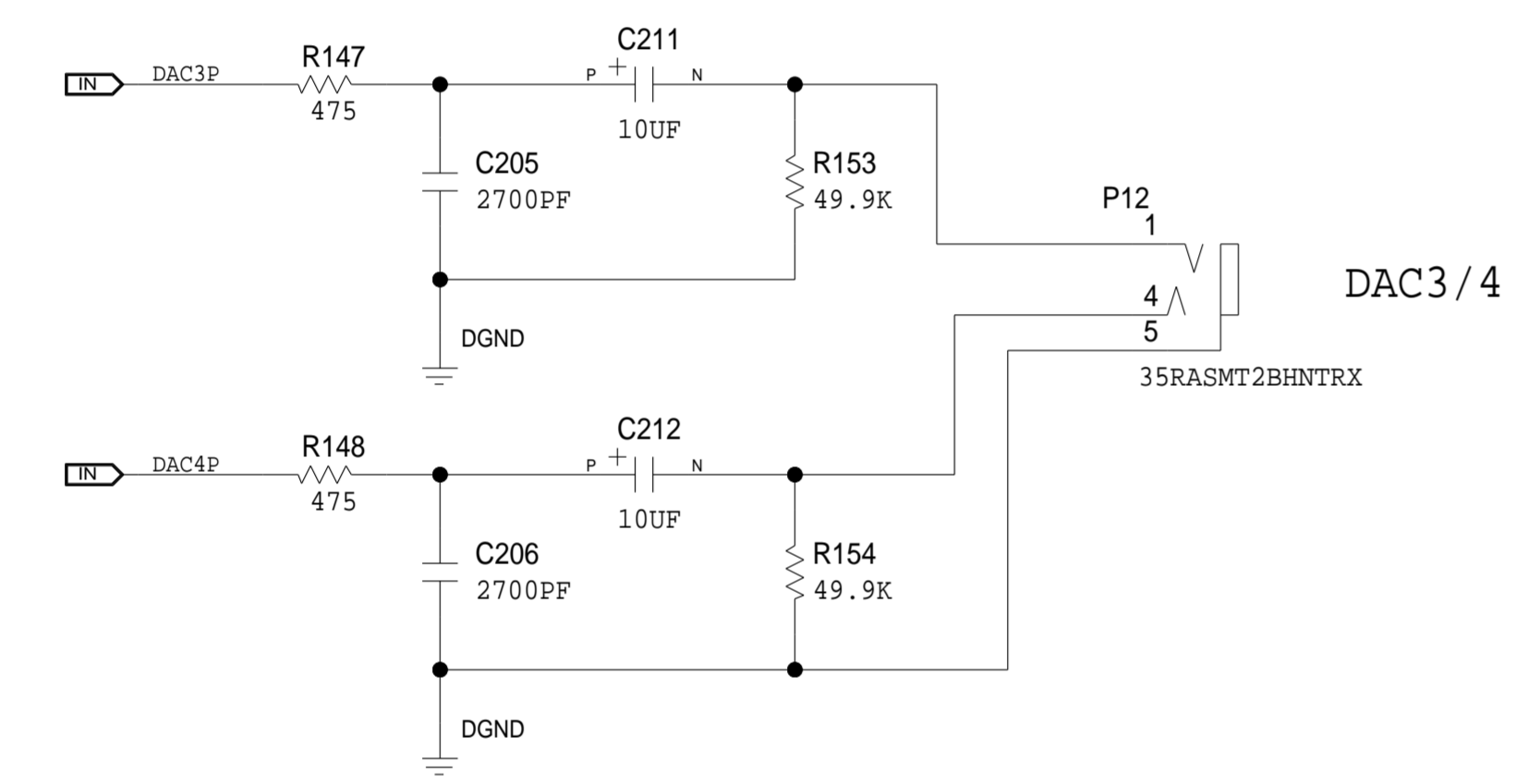
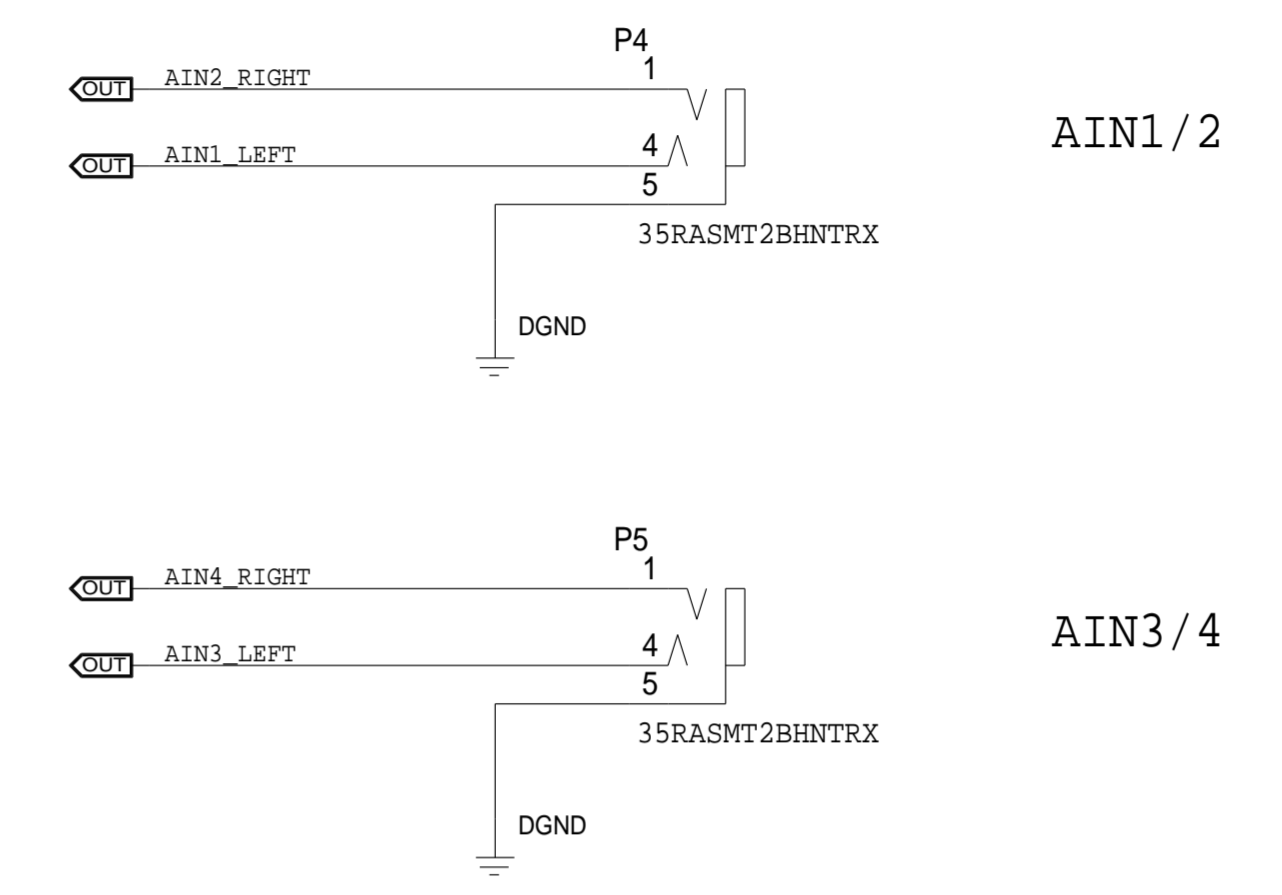
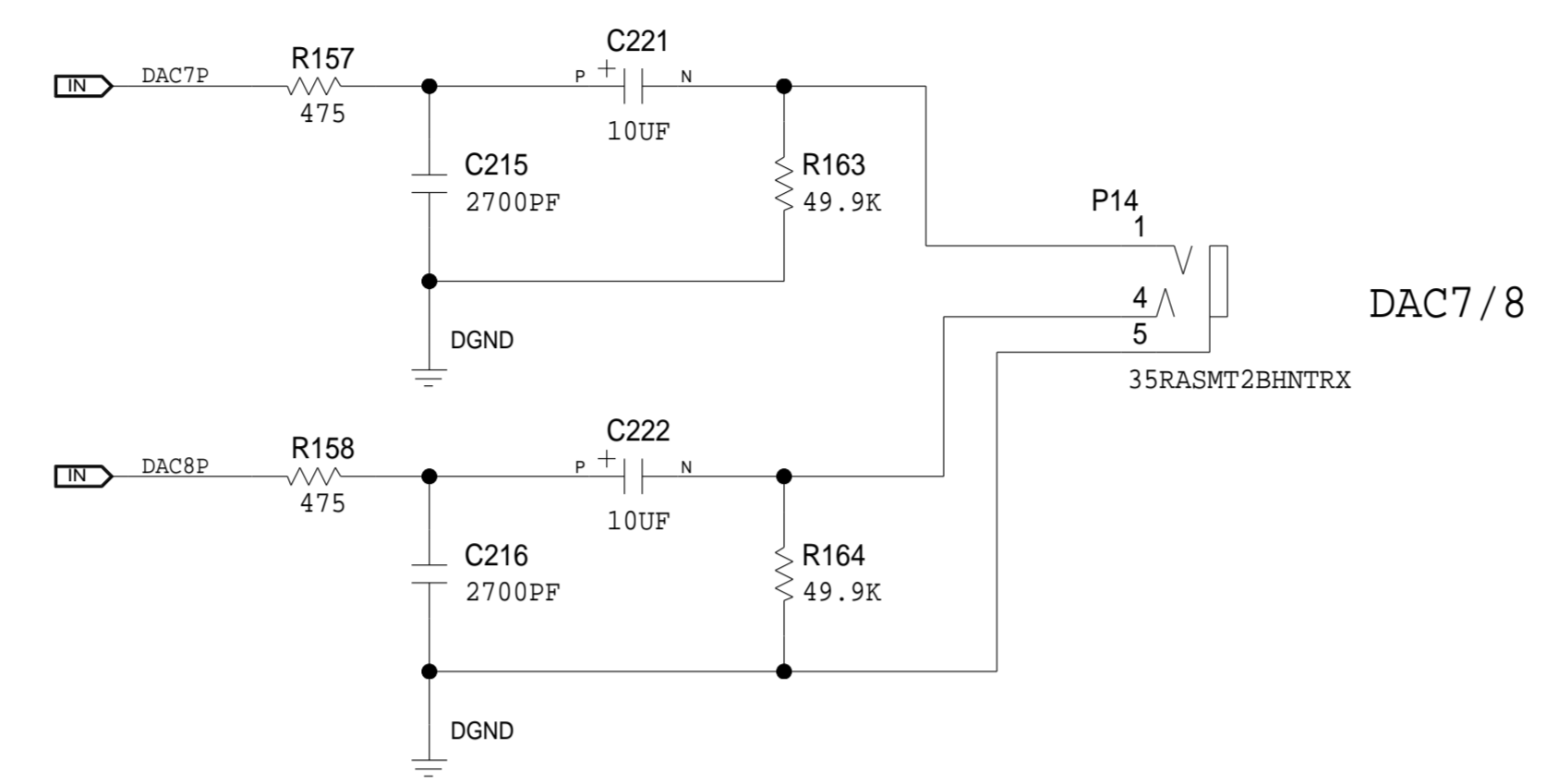
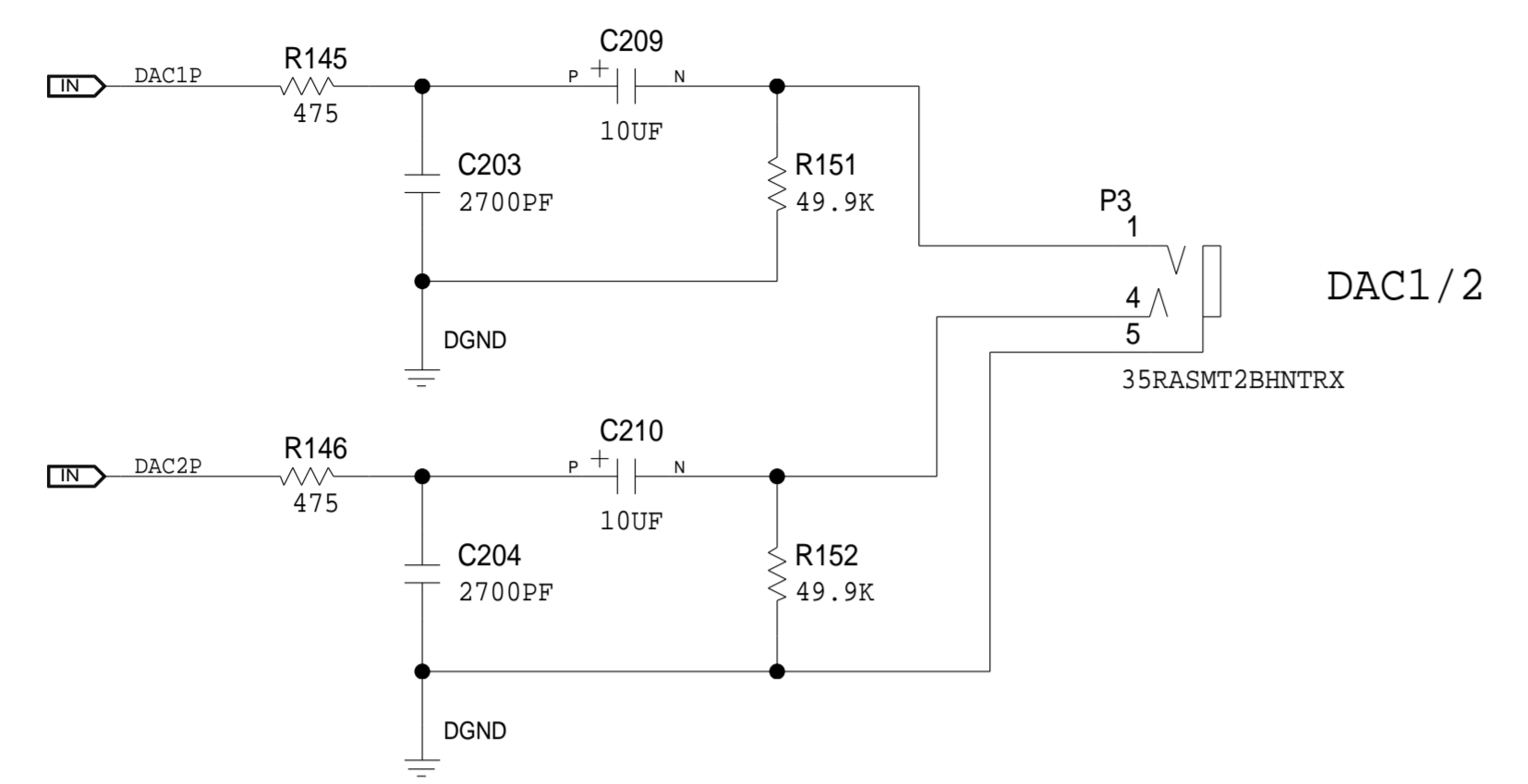
REVISIONS			
REV	DESCRIPTION	DATE	APPROVED



TWI ADDRESS 0010001X
 X IS THE R/W BIT. READ - 1, WRITE - 0

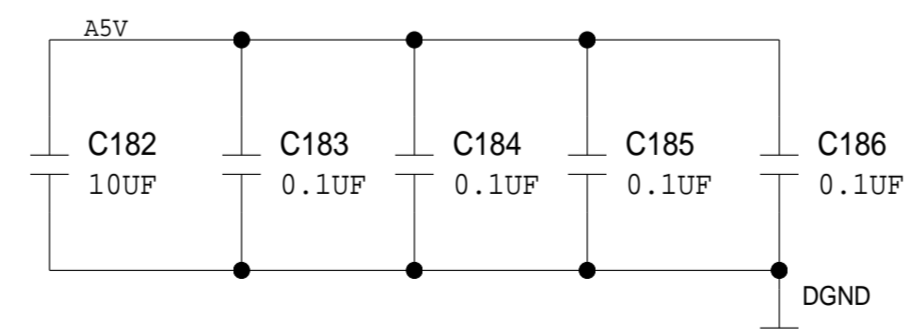
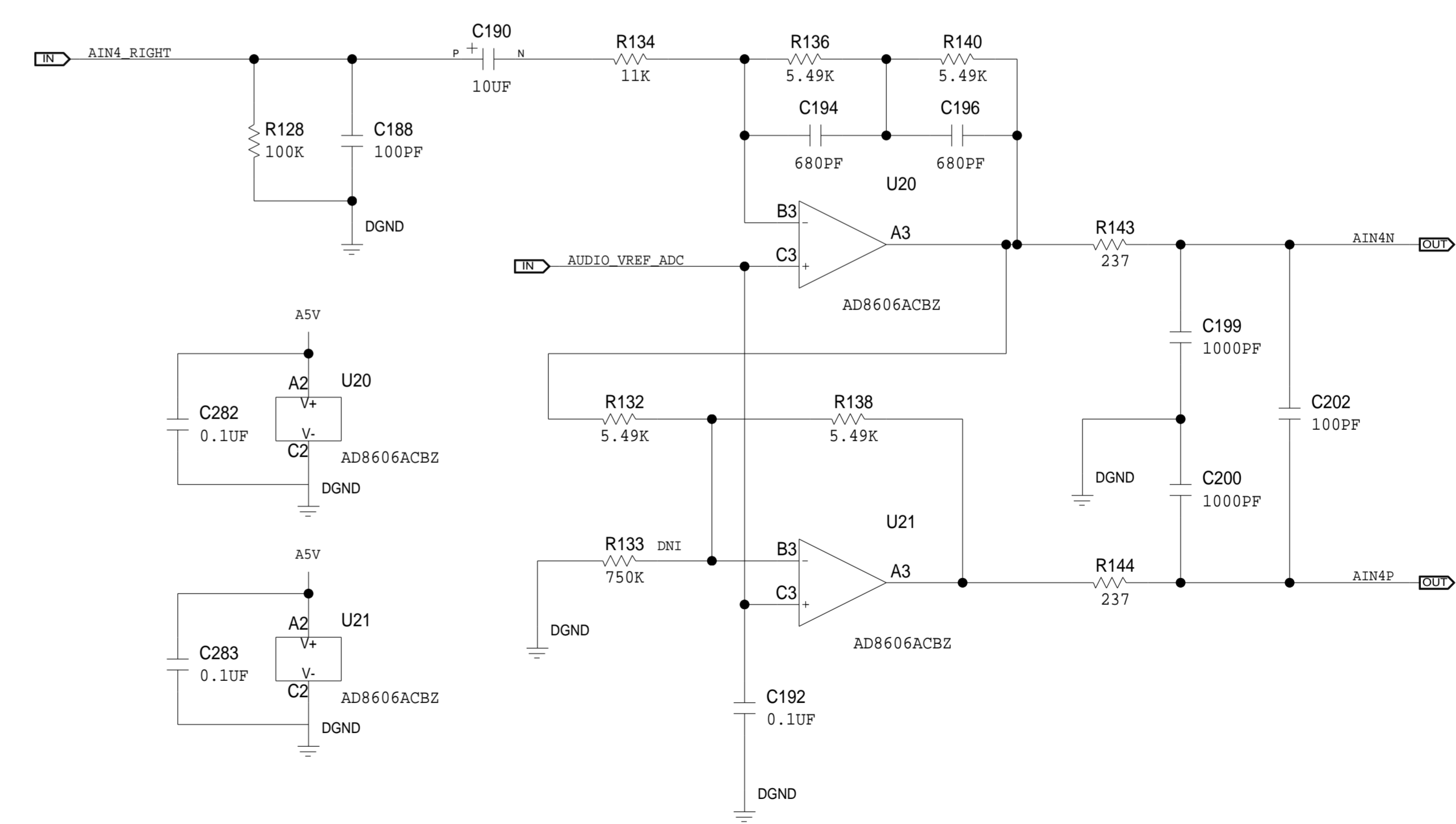
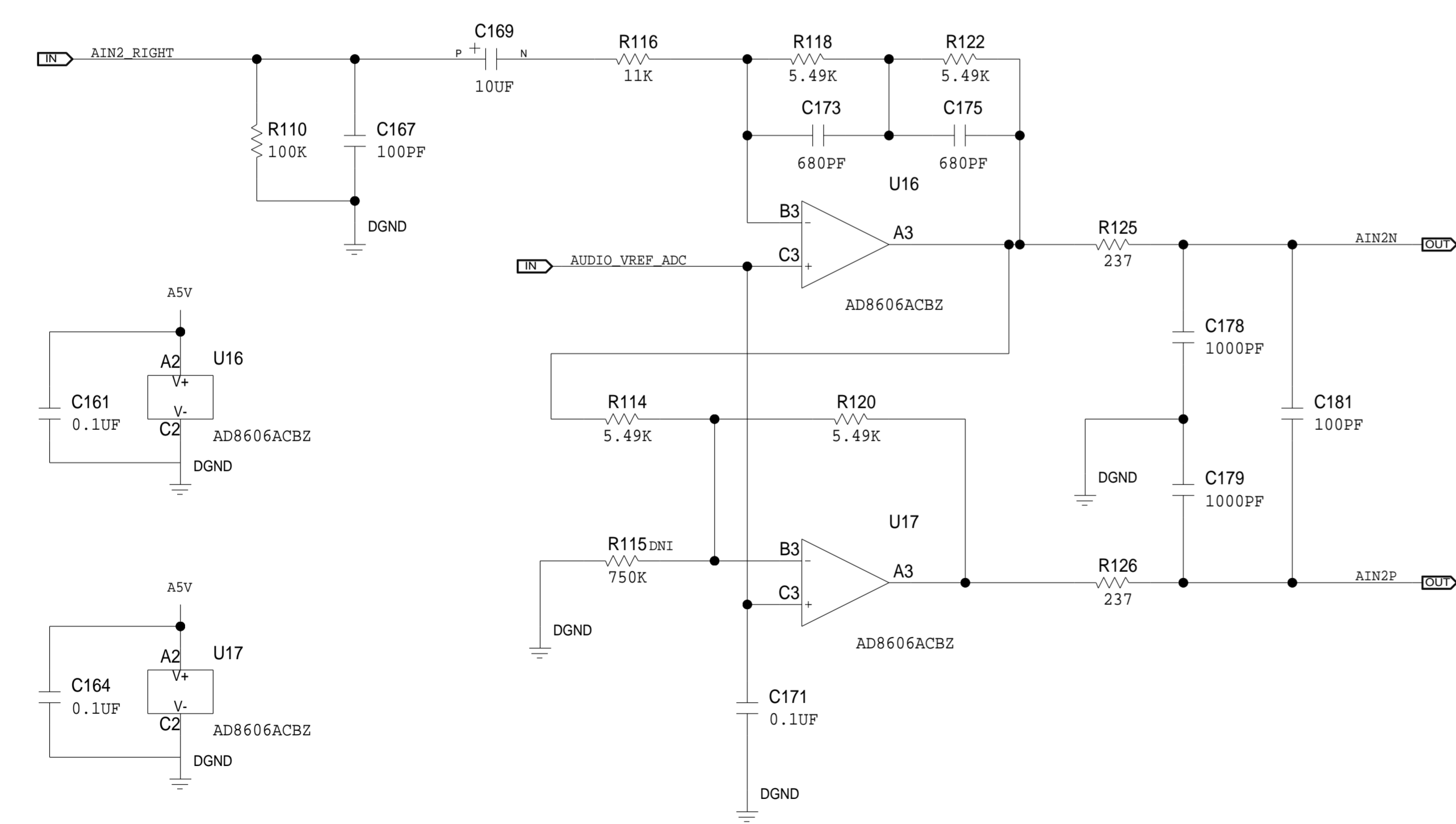
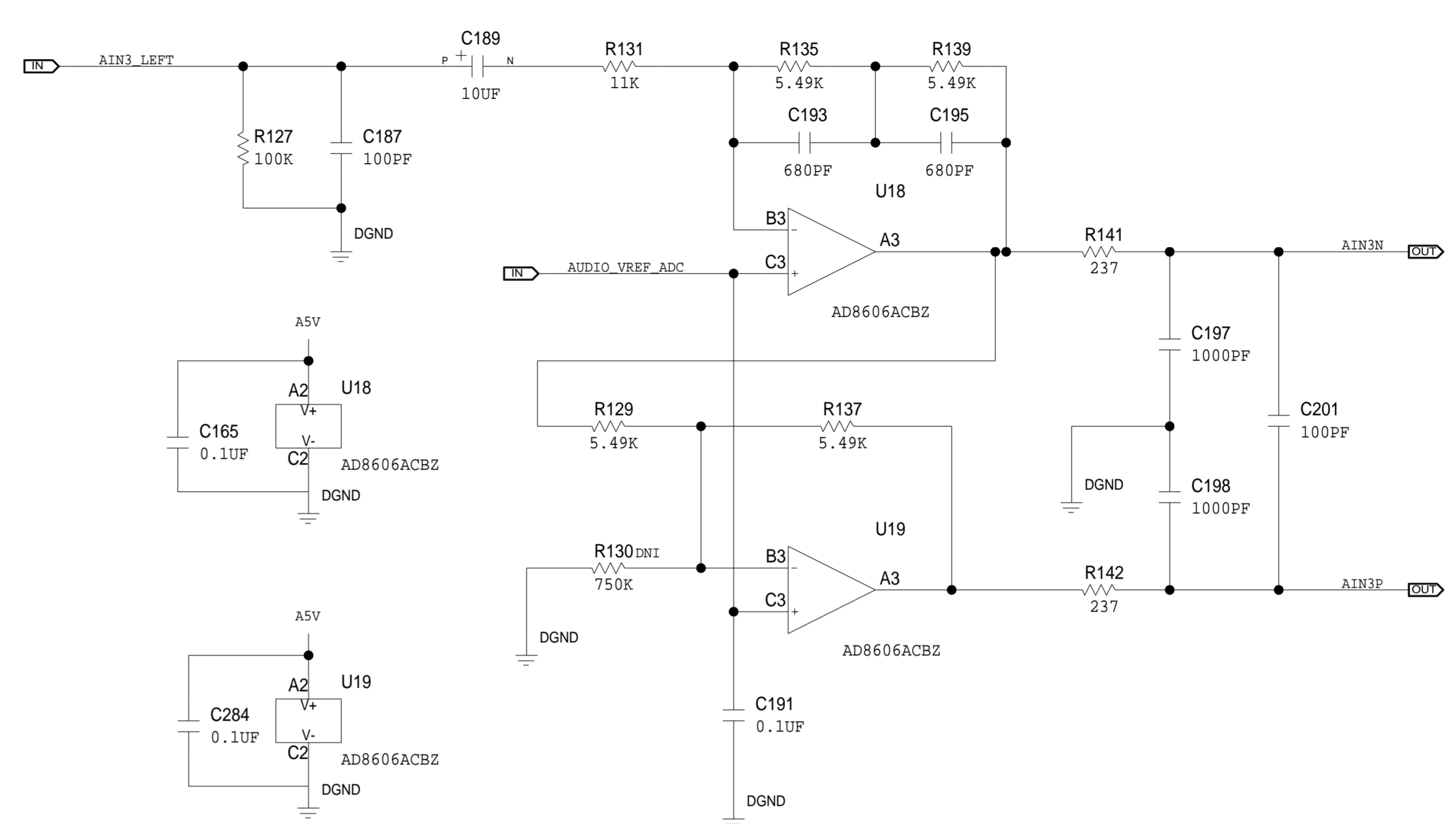
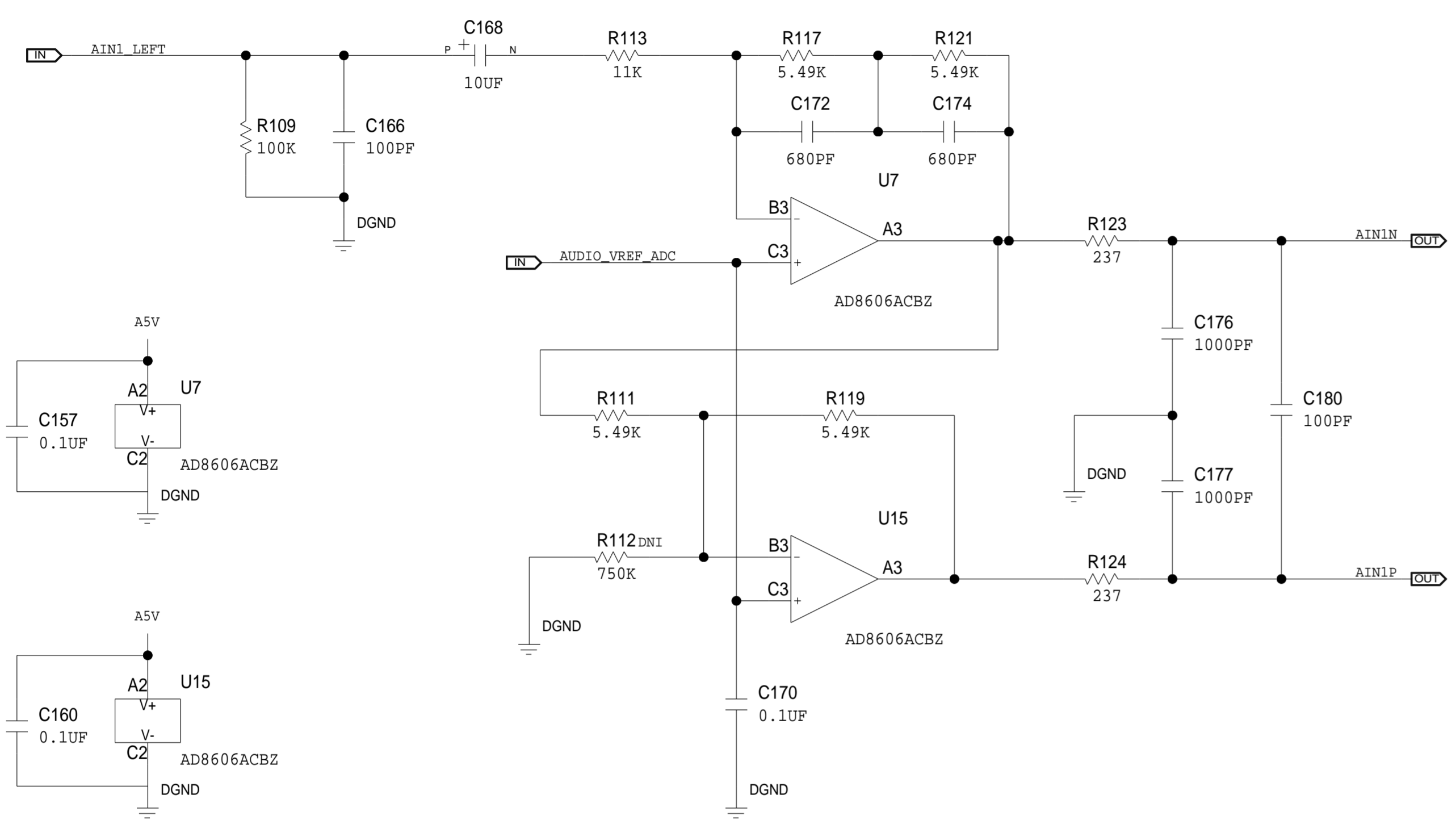
	SCHEMATIC		
	HW TYPE : Customer Evaluation Z Product(s) : 21562 : Audio		
	DESIGN VIEW <DESIGN_VIEW>	DRAWING NO. 02_067913	REV C
	PTD ENGINEER D. HARRINGTON	SIZE D	SCALE 1:1
		SHEET 9 OF 14	

REVISIONS			
REV	DESCRIPTION	DATE	APPROVED



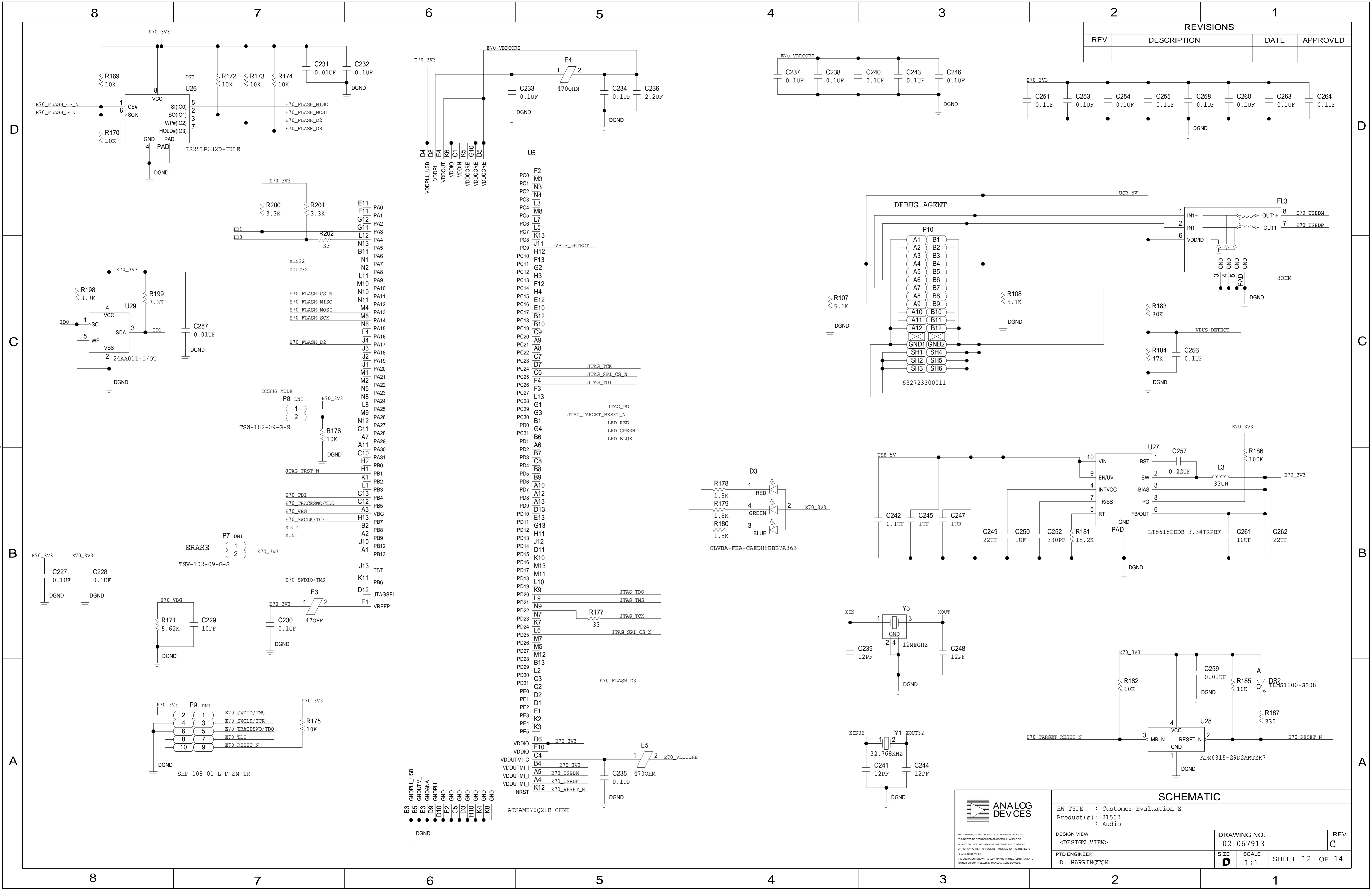
	SCHEMATIC		
	HW TYPE : Customer Evaluation Z Product(s) : 21562 : Audio		
	DESIGN VIEW <DESIGN_VIEW>	DRAWING NO. 02_067913	REV C
	PTD ENGINEER D. HARRINGTON	SIZE D	SCALE 1:1
		SHEET 10 OF 14	

REVISIONS			
REV	DESCRIPTION	DATE	APPROVED



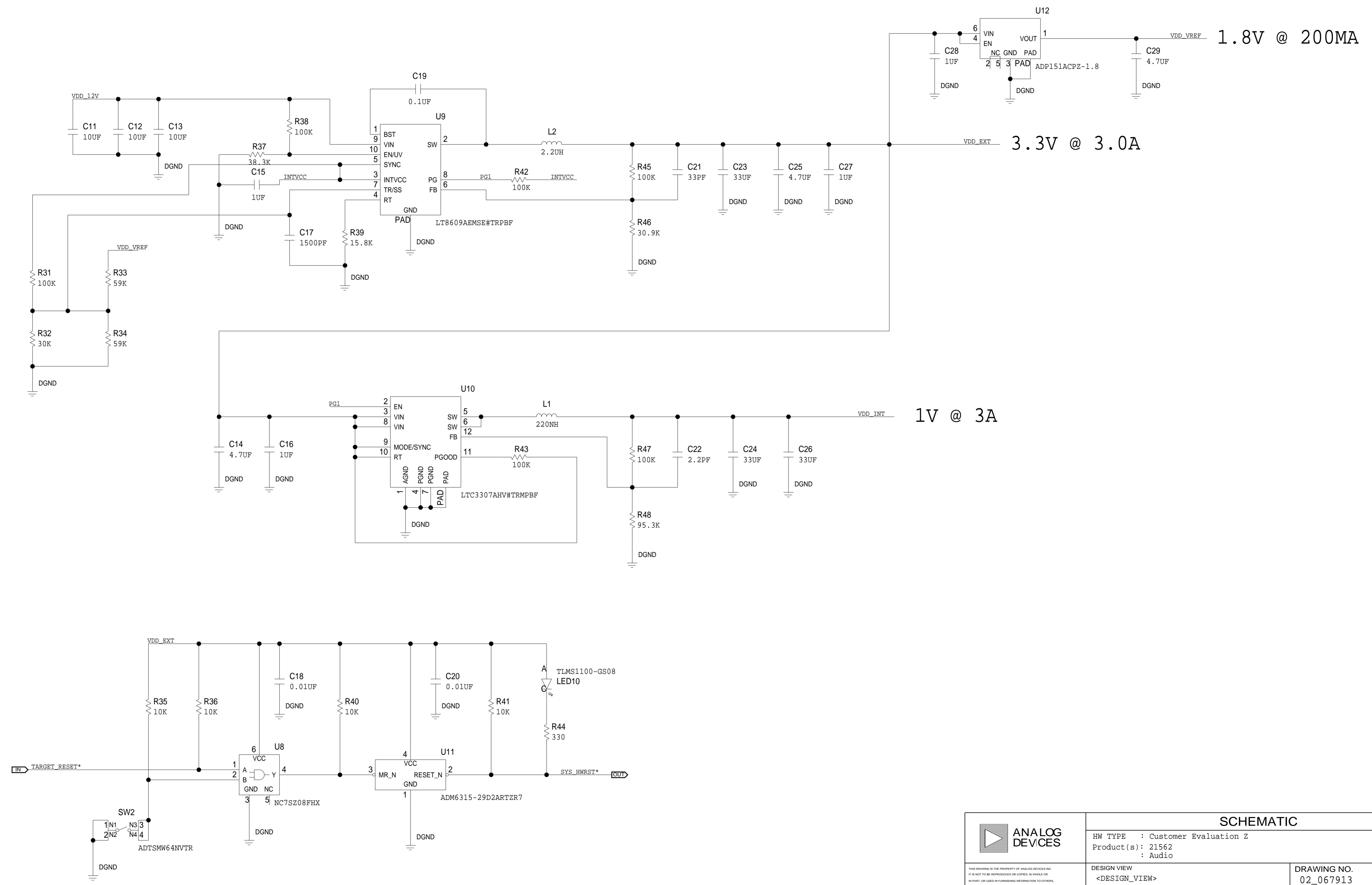
	SCHEMATIC		
	HW TYPE : Customer Evaluation Z Product(s) : 21562 : Audio		
DESIGN VIEW <DESIGN_VIEW>	DRAWING NO. 02_067913	REV C	
PTD ENGINEER D. HARRINGTON	SIZE D	SCALE 1:1	SHEET 11 OF 14

REVISIONS			
REV	DESCRIPTION	DATE	APPROVED



	SCHEMATIC		
	HW TYPE : Customer Evaluation Z Product(s) : 21562 : Audio		
DESIGN VIEW <DESIGN_VIEW>	DRAWING NO. 02_067913	REV C	
PTD ENGINEER D. HARRINGTON	SIZE D	SCALE 1:1	SHEET 12 OF 14

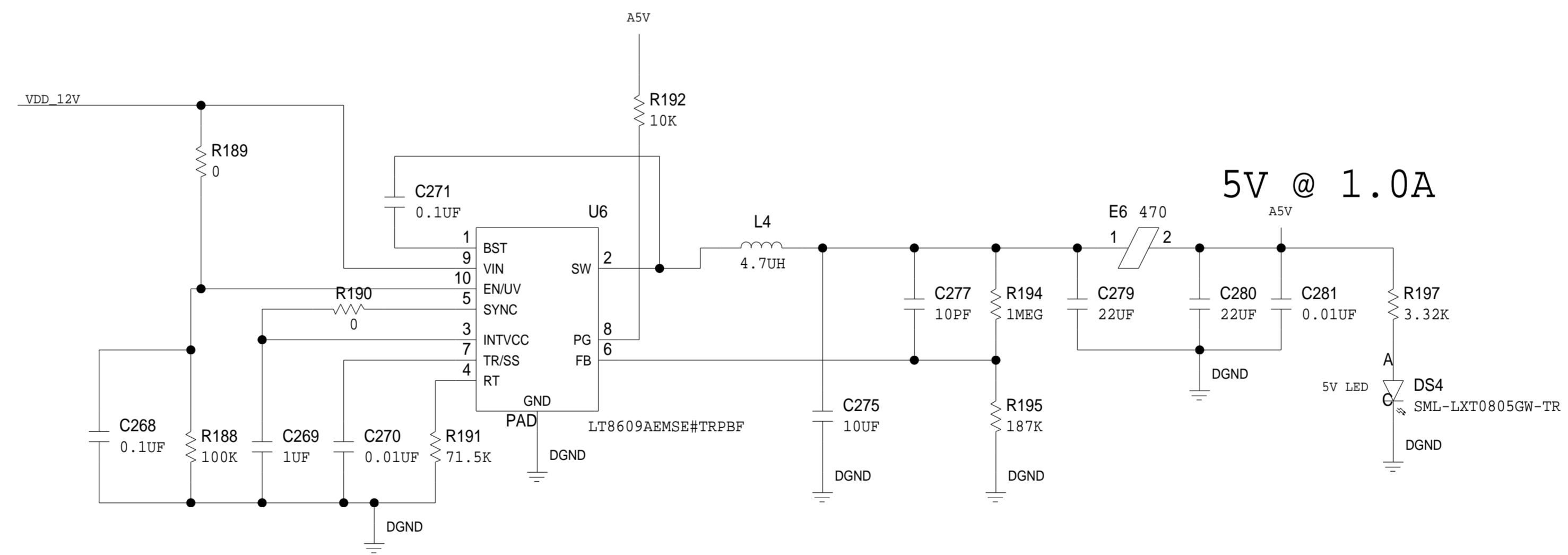
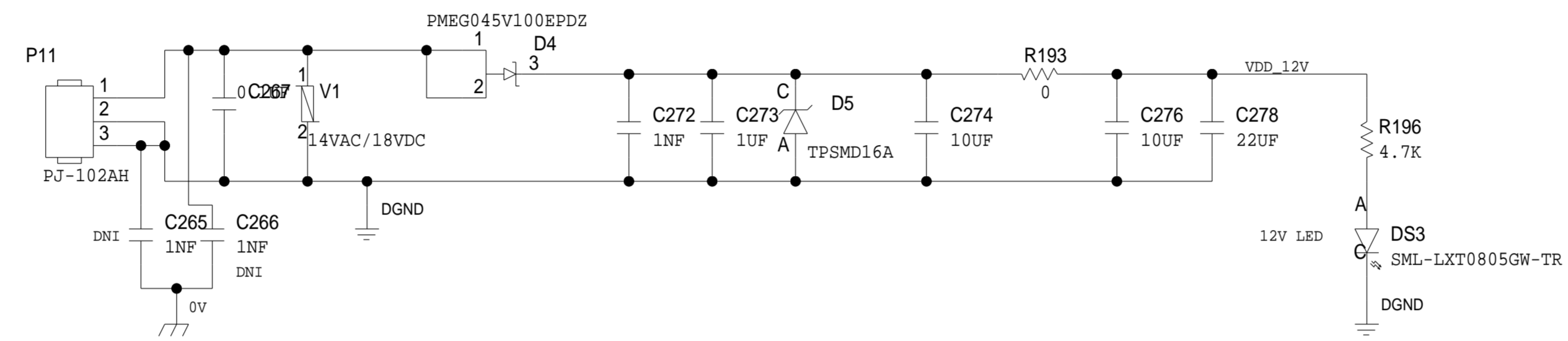
REVISIONS			
REV	DESCRIPTION	DATE	APPROVED



SCHEMATIC			
HW TYPE : Customer Evaluation Z Product(s) : 21562 : Audio		DRAWING NO. 02_067913	
DESIGN VIEW <DESIGN_VIEW>		REV C	REV C
PTD ENGINEER D. HARRINGTON		SIZE D	SCALE 1:1
		SHEET 13 OF 14	

ANALOG DEVICES
THIS DRAWING IS THE PROPERTY OF ANALOG DEVICES INC. IT IS NOT TO BE REPRODUCED OR COPIED, IN WHOLE OR IN PART, OR USED IN ANY MANNER WITHOUT THE WRITTEN PERMISSION OF ANALOG DEVICES. THE EQUIPMENT SHOWN HEREIN MAY BE PROTECTED BY PATENTS OWNED OR CONTROLLED BY ANALOG DEVICES.

REVISIONS			
REV	DESCRIPTION	DATE	APPROVED



	SCHEMATIC		
	HW TYPE : Customer Evaluation Z Product(s) : 21562 : Audio		
	DESIGN VIEW <DESIGN_VIEW>	DRAWING NO. 02_067913	REV C
	PTD ENGINEER D. HARRINGTON	SIZE D	SCALE 1:1
		SHEET 14 OF 14	