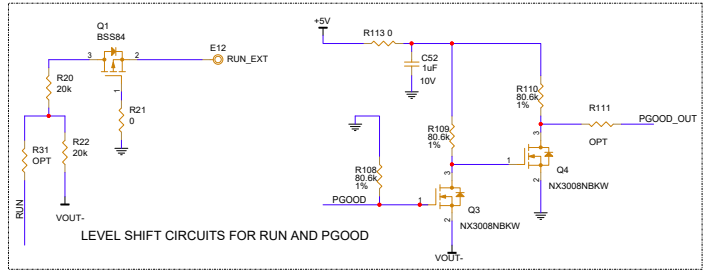
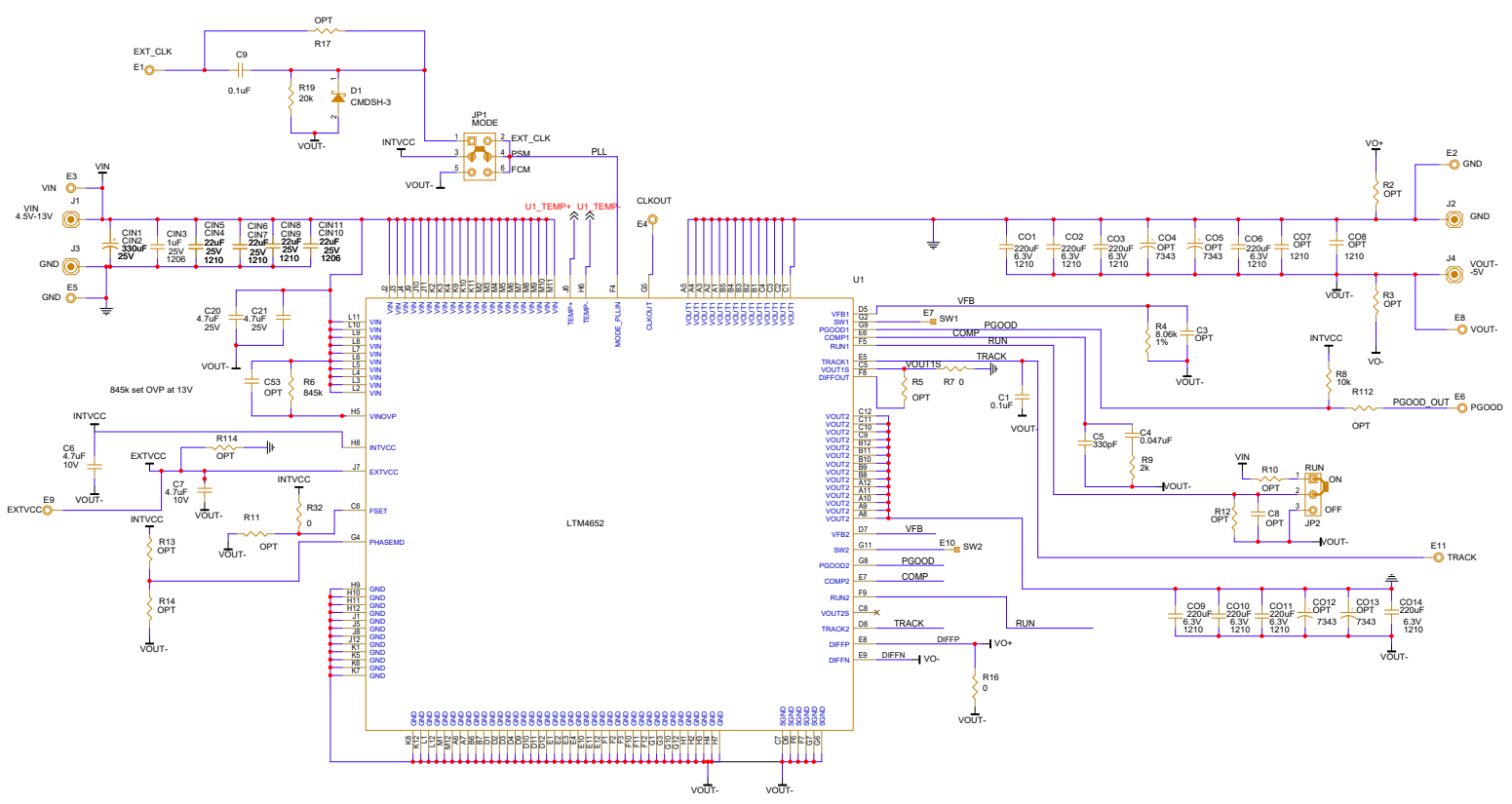


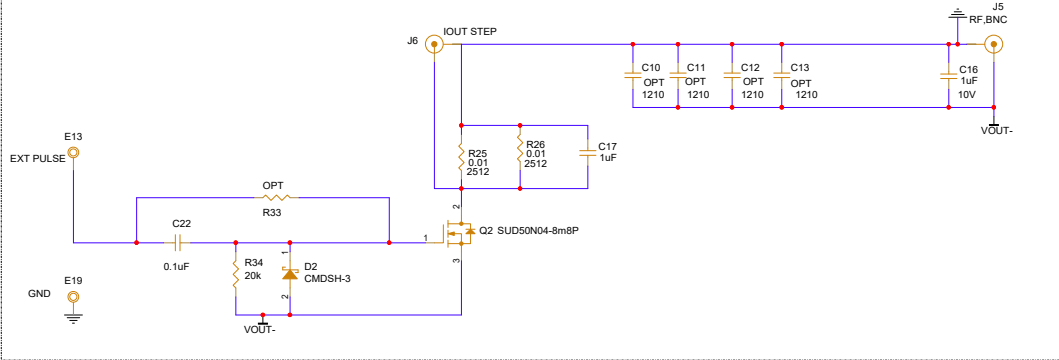
REVISION HISTORY				
ECO	REV	DESCRIPTION	APPROVED	DATE
	2	PRODUCTION	Jing L.	03-09-2022



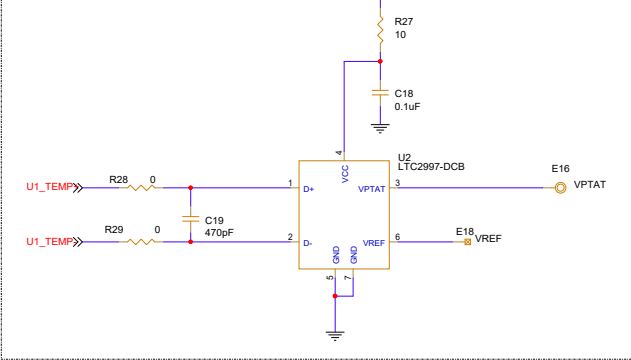
NOTE: UNLESS OTHERWISE SPECIFIED,
1. ALL CAPACITORS, RESISTORS 0603.

CUSTOMER NOTICE		APPROVALS		
<small>ANALOG DEVICES HAS MADE A BEST EFFORT TO DESIGN A CIRCUIT THAT MEETS CUSTOMER-SUPPLIED SPECIFICATIONS. HOWEVER, IT REMAINS THE CUSTOMER'S RESPONSIBILITY TO VERIFY PROPER AND RELIABLE OPERATION OF THE ACTUAL APPLICATION. COMPONENT SUBSTITUTION AND PRINTED CIRCUIT BOARD LAYOUT MAY SIGNIFICANTLY AFFECT CIRCUIT PERFORMANCE OR RELIABILITY. CONTACT ANALOG DEVICES APPLICATIONS ENGINEERING FOR ASSISTANCE.</small>				
<small>THIS CIRCUIT IS PROPRIETARY TO ANALOG DEVICES AND SUPPLIED FOR USE WITH ANALOG DEVICES PARTS.</small>		PCB DES: XZ APP ENG: Lmg.J.	TITLE: SCHEMATIC HIGH EFFICIENCY, +/- 32A INVERTING DC/DC μMODULE REGULATOR IC NO. LTM4652EY SKU NO. DC3230A SCHEMATIC NO. AND REVISION: 710-DC3230A_REV02 SIZE: N/A DATE: Monday, August 22, 2022 SHEET 1 OF 2	

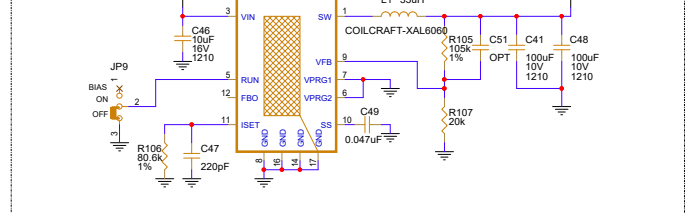
DYNAMIC LOAD CIRCUIT



TEMPERATURE SENSE



5V BIAS



PCA ADDITIONAL PARTS

- MP1 STANDOFF,NYLON,SNAP-ON,0.25" (6.4mm)
- MP2 STANDOFF,NYLON,SNAP-ON,0.25" (6.4mm)
- MP3 STANDOFF,NYLON,SNAP-ON,0.25" (6.4mm)
- MP4 STANDOFF,NYLON,SNAP-ON,0.25" (6.4mm)
- LB1 BOARD S/N LABEL 895-0154

CUSTOMER NOTICE

ANALOG DEVICES HAS MADE A BEST EFFORT TO DESIGN A CIRCUIT THAT MEETS CUSTOMER-SUPPLIED SPECIFICATIONS; HOWEVER, IT REMAINS THE CUSTOMER'S RESPONSIBILITY TO TEST PROPERLY AND RELIABLE OPERATION IN THE ACTUAL APPLICATION. COMPONENT SUBSTITUTION AND PRINTED CIRCUIT BOARD LAYOUT MAY SIGNIFICANTLY AFFECT CIRCUIT PERFORMANCE OR RELIABILITY. CONTACT ANALOG DEVICES APPLICATIONS ENGINEERING FOR ASSISTANCE.

THIS CIRCUIT IS PROPRIETARY TO ANALOG DEVICES AND SUPPLIED FOR USE WITH ANALOG DEVICES PARTS.

APPROVALS

PCB DES.	HZ
APP ENG.	Ling J.



TITLE: SCHEMATIC HIGH EFFICIENCY, +/- 32A INVERTING DC/DC μMODULE REGULATOR

IC NO. LTM4652EY	SCHEMATIC NO. AND REVISION: 710-DC3230A_REV02
SKU NO. DC3230A	
SIZE: N/A	DATE: Monday, August 22, 2022
	SHEET 2 OF 2