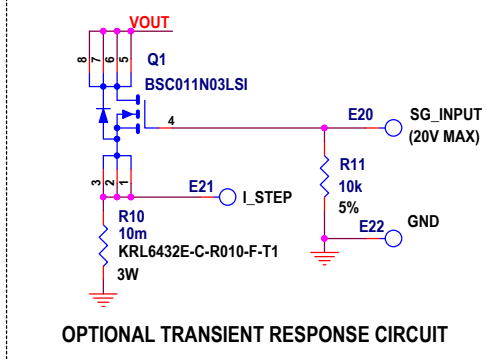
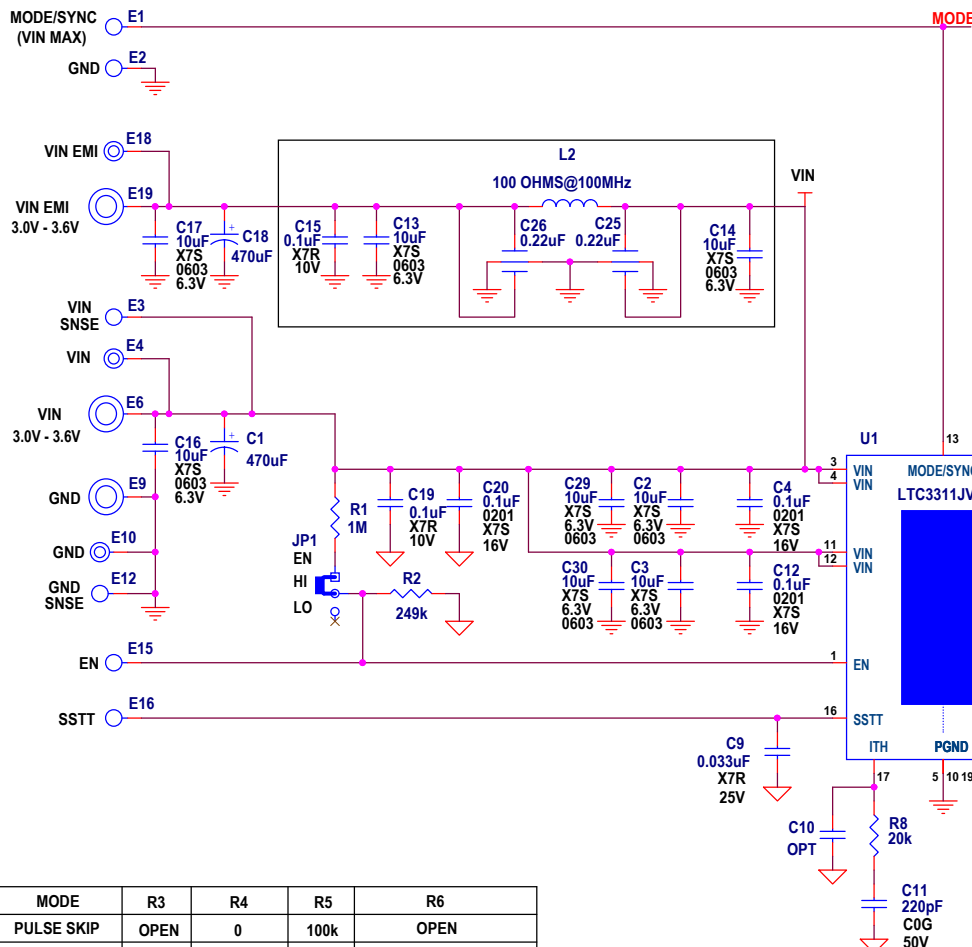
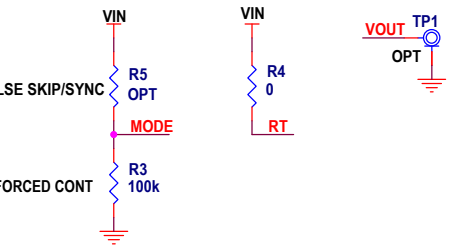


REVISION HISTORY				
ECO	REV	DESCRIPTION	APPROVED	DATE
-	01	PRODUCTION	WL	10-12-21



MODE	R3	R4	R5	R6
PULSE SKIP	OPEN	0	100k	OPEN
FORCED CONT.	100k	0 or OPEN *	OPEN	POPULATED OR OPEN **

\* IF R6 IS POPULATED R4 MUST BE OPEN.  
 \*\* MODE/SYNC PIN IS CLOCK OUTPUT WHEN R6 IS POPULATED.



PCA ADDITIONAL PARTS	
MP1	STANDOFF,NYLON,SNAP-ON,0.50"
MP2	STANDOFF,NYLON,SNAP-ON,0.50"
MP3	STANDOFF,NYLON,SNAP-ON,0.50"
MP4	STANDOFF,NYLON,SNAP-ON,0.50"
PCB1	PCB, DC3217A REV01
LB1	LABEL

NOTES: UNLESS OTHERWISE SPECIFIED  
 1. RESISTORS: OHMS, 0402, 1%, 1/16W  
 2. CAPACITORS: 0402

**CUSTOMER NOTICE**  
 ANALOG DEVICES HAS MADE A BEST EFFORT TO DESIGN A CIRCUIT THAT MEETS CUSTOMER-SUPPLIED SPECIFICATIONS; HOWEVER, IT REMAINS THE CUSTOMER'S RESPONSIBILITY TO VERIFY PROPER AND RELIABLE OPERATION IN THE ACTUAL APPLICATION. COMPONENT SUBSTITUTION AND PRINTED CIRCUIT BOARD LAYOUT MAY SIGNIFICANTLY AFFECT CIRCUIT PERFORMANCE OR RELIABILITY. CONTACT ANALOG DEVICES APPLICATIONS ENGINEERING FOR ASSISTANCE.

THIS CIRCUIT IS PROPRIETARY TO ANALOG DEVICES AND SUPPLIED FOR USE WITH ANALOG DEVICES PARTS.

APPROVALS	
PCB DES.	NC
APP ENG.	WL

**ADI Power by Linear™**  
[www.analog.com](http://www.analog.com)

**TITLE: SCHEMATIC**  
**3.3V TO 0.75V AT 12.5A, 2MHz AUTOMOTIVE LOW EMI BUCK REGULATOR**

IC NO. LTC3311-0.75	SCHEMATIC NO. AND REVISION: <b>710-DC3217A_REV01</b>
SKU NO. DC3217A	
SIZE: N/A	DATE: 10-12-21

SHEET 1 OF 1