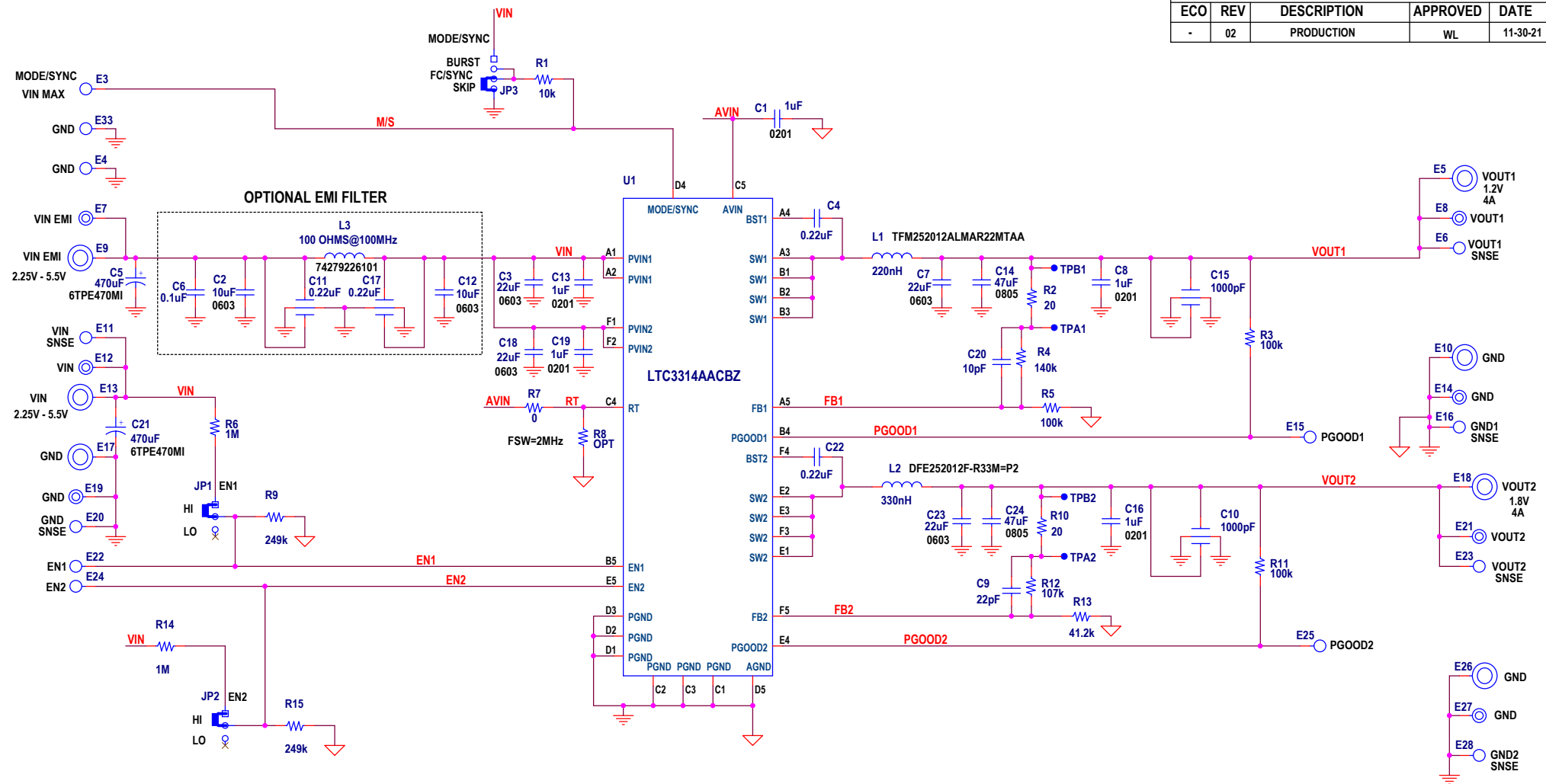
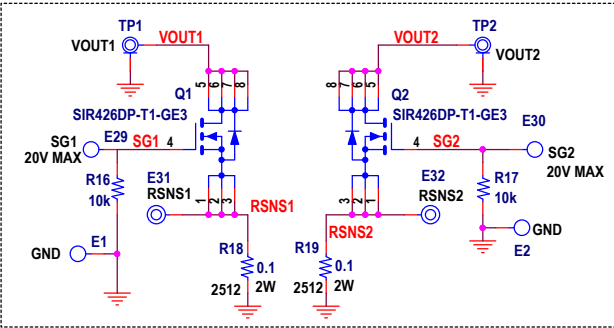


| REVISION HISTORY |     |             |          |          |
|------------------|-----|-------------|----------|----------|
| ECO              | REV | DESCRIPTION | APPROVED | DATE     |
| -                | 02  | PRODUCTION  | WL       | 11-30-21 |



**OPTIONAL TRANSIENT RESPONSE CIRCUIT**



**PCA ADDITIONAL PARTS**

|      |                              |
|------|------------------------------|
| MP1  | STANDOFF,NYLON,SNAP-ON,0.50" |
| MP2  | STANDOFF,NYLON,SNAP-ON,0.50" |
| MP3  | STANDOFF,NYLON,SNAP-ON,0.50" |
| MP4  | STANDOFF,NYLON,SNAP-ON,0.50" |
| LB1  | LABEL                        |
| PCB1 | PCB, DC3204A REV02           |

NOTES: UNLESS OTHERWISE SPECIFIED  
 1. RESISTORS: OHMS, 0402, 1%, 1/16W  
 2. CAPACITORS: 0402

**CUSTOMER NOTICE**

ANALOG DEVICES HAS MADE A BEST EFFORT TO DESIGN A CIRCUIT THAT MEETS CUSTOMER-SUPPLIED SPECIFICATIONS; HOWEVER, IT REMAINS THE CUSTOMER'S RESPONSIBILITY TO VERIFY PROPER AND RELIABLE OPERATION IN THE ACTUAL APPLICATION. COMPONENT SUBSTITUTION AND PRINTED CIRCUIT BOARD LAYOUT MAY SIGNIFICANTLY AFFECT CIRCUIT PERFORMANCE OR RELIABILITY. CONTACT ANALOG DEVICES APPLICATIONS ENGINEERING FOR ASSISTANCE.

THIS CIRCUIT IS PROPRIETARY TO ANALOG DEVICES AND SUPPLIED FOR USE WITH ANALOG DEVICES PARTS.

**APPROVALS**

|          |    |
|----------|----|
| PCB DES. | NC |
| APP ENG. | WL |
|          |    |
|          |    |
|          |    |
|          |    |



|  |  |
|--|--|
| <b>TITLE: SCHEMATIC</b><br>3.3VIN, DUAL 4A, 2MHz, SYNCHRONOUS BUCK<br>REGULATOR WITH 1.2V AND 1.8V OUTPUTS |  |
| <b>IC NO.</b> LTC3314A<br><b>SKU NO.</b> DC3204A   | <b>SCHEMATIC NO. AND REVISION:</b><br><b>710-DC3204A_REV02</b> |
| <b>SIZE:</b> N/A<br><b>DATE:</b> 11-30-21  | <b>SHEET</b> 1 <b>OF</b> 1                                     |