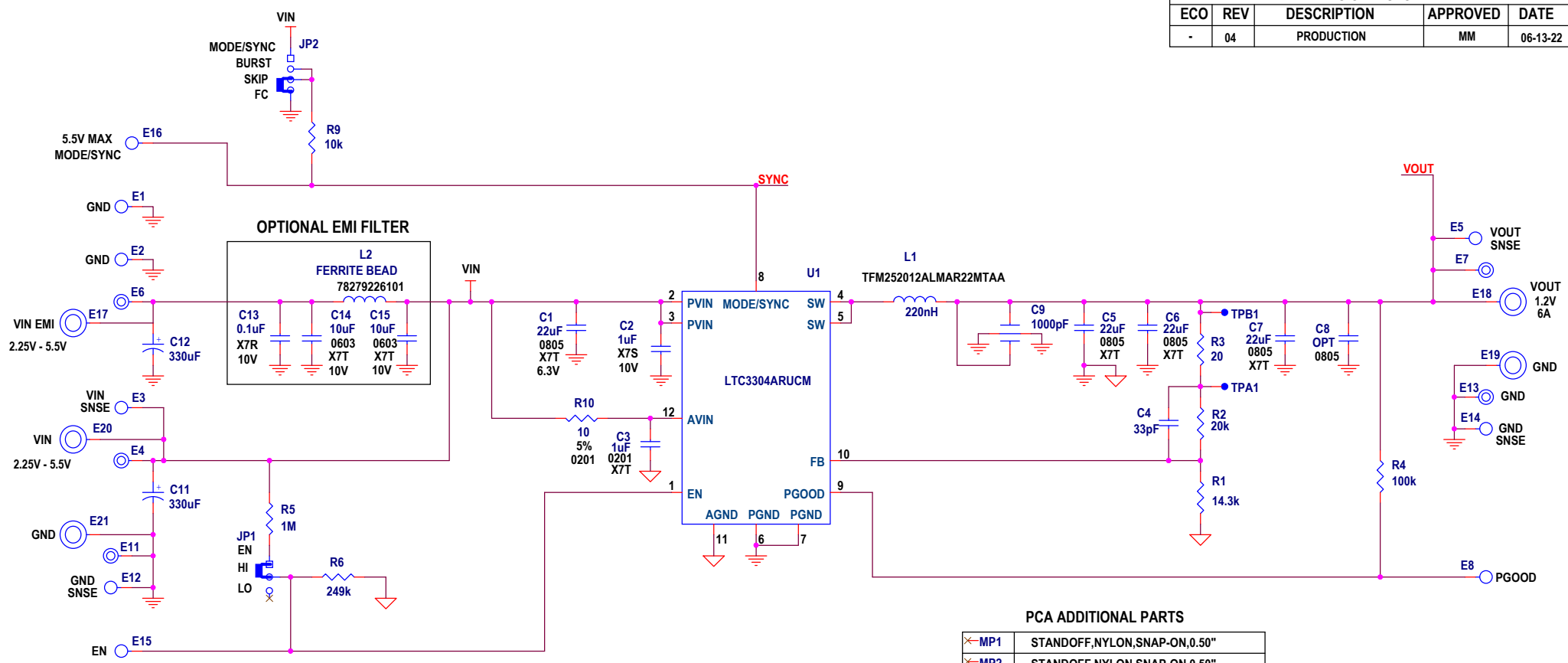


REVISION HISTORY				
ECO	REV	DESCRIPTION	APPROVED	DATE
-	04	PRODUCTION	MM	06-13-22

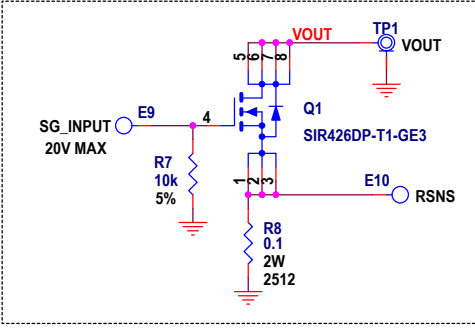


**PCA ADDITIONAL PARTS**

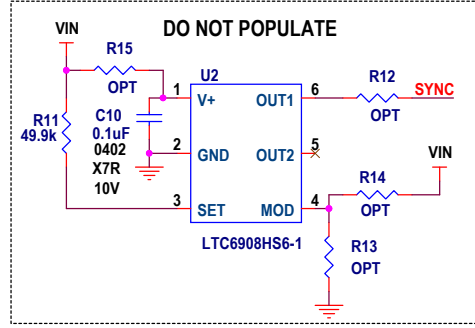
MP1	STANDOFF,NYLON,SNAP-ON,0.50"
MP2	STANDOFF,NYLON,SNAP-ON,0.50"
MP3	STANDOFF,NYLON,SNAP-ON,0.50"
MP4	STANDOFF,NYLON,SNAP-ON,0.50"
LB1	LABEL
PCB1	PCB, DC3203A REV04

NOTES: UNLESS OTHERWISE SPECIFIED  
 1. RESISTORS: OHMS, 0402, 1%, 1/16W  
 2. CAPACITORS: 0402, 6.3V

**OPTIONAL TRANSIENT RESPONSE CIRCUIT**



**OPTIONAL SPREAD SPECTRUM CLOCK CIRCUIT**



**CUSTOMER NOTICE**

ANALOG DEVICES HAS MADE A BEST EFFORT TO DESIGN A CIRCUIT THAT MEETS CUSTOMER-SUPPLIED SPECIFICATIONS; HOWEVER, IT REMAINS THE CUSTOMER'S RESPONSIBILITY TO VERIFY PROPER AND RELIABLE OPERATION IN THE ACTUAL APPLICATION. COMPONENT SUBSTITUTION AND PRINTED CIRCUIT BOARD LAYOUT MAY SIGNIFICANTLY AFFECT CIRCUIT PERFORMANCE OR RELIABILITY. CONTACT ANALOG DEVICES APPLICATIONS ENGINEERING FOR ASSISTANCE.

THIS CIRCUIT IS PROPRIETARY TO ANALOG DEVICES AND SUPPLIED FOR USE WITH ANALOG DEVICES PARTS.

**APPROVALS**

PCB DES.	NC
APP ENG.	MM



TITLE: SCHEMATIC	
3.3V TO 1.2V AT 6A 2MHz SYNCHRONOUS STEP-DOWN REGULATOR	
IC NO. LTC3304A	SCHEMATIC NO. AND REVISION: 710-DC3203A_REV04
SKU NO. DC3203A	
SIZE: N/A	DATE: 09-29-21
	SHEET 1 OF 1