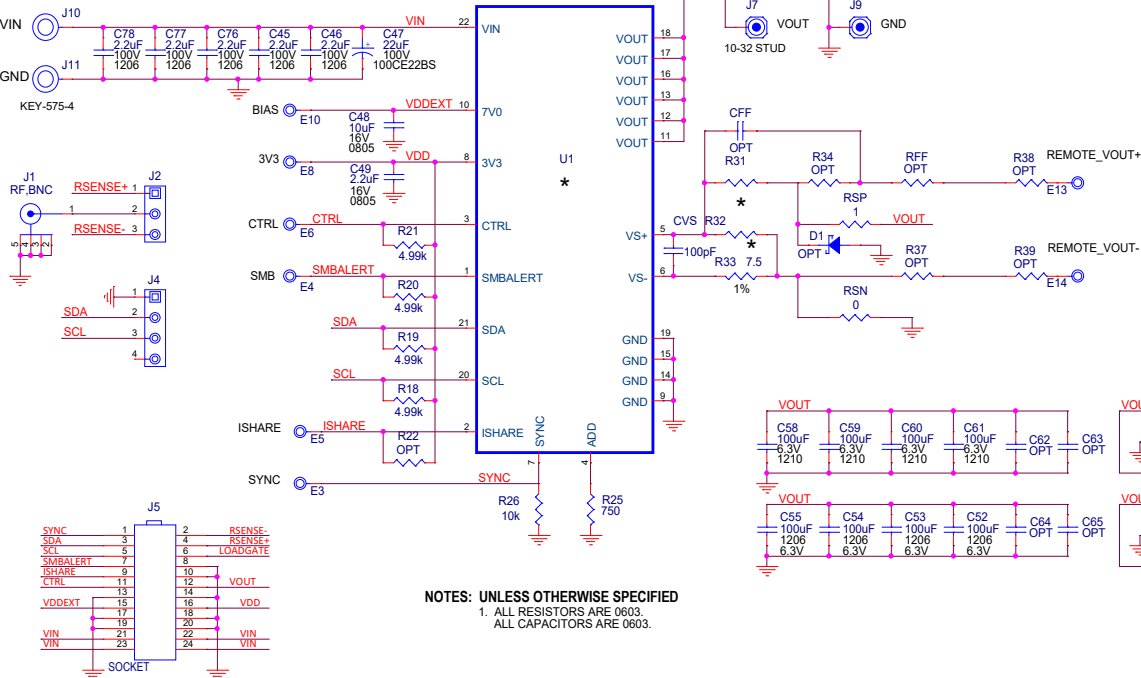
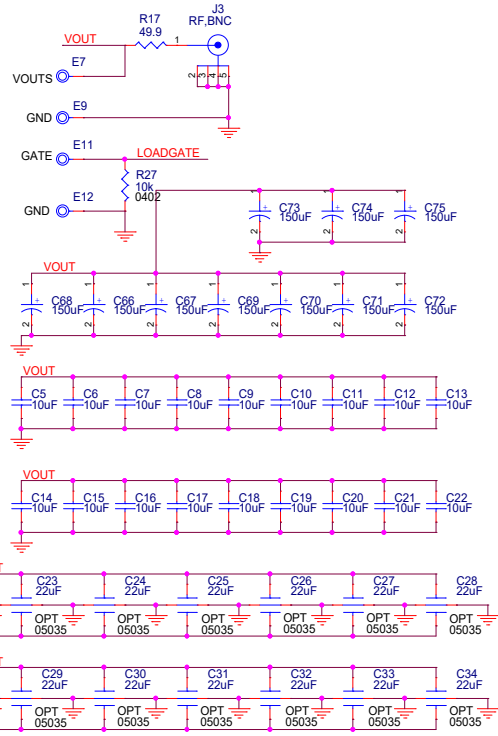


FOR VIN: 45V ~ 65V
INPUT RANGE DEPENDS ON THE FIRMWARE + OUTPUT VOLTAGE



NOTES: UNLESS OTHERWISE SPECIFIED
1. ALL RESISTORS ARE 0603.
ALL CAPACITORS ARE 0603.

- C66, C67, C68, C69, C70, C71, C72, C73, C74, C75:
- DC3190A-A LTP8800-1A EEFGX0D561R (2.5V 560uF 3mOhm 2-terminal)
- DC3190A-B LTP8800-4A EEFGX0D561R (2.5V 560uF 3mOhm 2-terminal)
- DC3190A-C LTP8802 6TPE680M1 (6.3V 680uF 18mOhm 2-terminal)
- DC3190A-D LTP8803 EEFGX0D561R (2.5V 560uF 3mOhm 2-terminal)



PCA ADDITIONAL PARTS

- LB1 LABEL SPEC, DEMO BOARD SERIAL NUMBER
- MH1 STANDOFF, NYLON, SNAP-ON 0.375"
- MH2 STANDOFF, NYLON, SNAP-ON 0.375"
- MH3 STANDOFF, NYLON, SNAP-ON 0.375"
- MH4 STANDOFF, NYLON, SNAP-ON 0.375"
- STNCL1 TOOL, STENCIL, 700-DC3190A REV05
- PCB1 PCB, DC3190A REV05

* VERISON TABLE

ASSY TYPE	U1	R31	R32	C66	C67	C68	C69	C70	C71	C72	C73	C74	C75
DC3190A-A	LTP8800-1A	1k	2k	560uF	560uF	560uF	560uF	560uF	560uF	560uF	560uF	560uF	560uF
DC3190A-B	LTP8800-4A	1k	2k	560uF	560uF	560uF	560uF	560uF	560uF	560uF	560uF	560uF	560uF
DC3190A-C	LTP8802-1A	2.87k	511	680uF	680uF	680uF	680uF	680uF	680uF	680uF	680uF	680uF	680uF
DC3190A-D	LTP8803-1A	1k	1.3k	560uF	560uF	560uF	560uF	560uF	560uF	560uF	560uF	560uF	560uF

<Variant Name>

<p>CUSTOMER NOTICE</p> <p>ANALOG DEVICES HAS MADE A BEST EFFORT TO DESIGN A CIRCUIT THAT MEETS CUSTOMER-SUPPLIED SPECIFICATIONS; HOWEVER, IT REMAINS THE CUSTOMER'S RESPONSIBILITY TO VERIFY PROPER AND RELIABLE OPERATION IN THE ACTUAL APPLICATION. COMPONENT SUBSTITUTION AND PRINTED CIRCUIT BOARD LAYOUT MAY SIGNIFICANTLY AFFECT CIRCUIT PERFORMANCE OR RELIABILITY. CONTACT ANALOG DEVICES APPLICATIONS ENGINEERING FOR ASSISTANCE.</p> <p>THIS CIRCUIT IS PROPRIETARY TO ANALOG DEVICES AND SUPPLIED FOR USE WITH ANALOG DEVICES PARTS.</p>	<p>APPROVALS</p> <p>PCB DES. _____</p> <p>APP ENG. _____</p>	<p>ANALOG DEVICES</p> <p>www.analog.com</p> <p>TITLE: SCHEMATIC</p> <p>54V Input, High Current DC/DC Power uModule with PMBUS Interface</p> <p>IC NO. LTP88xx</p> <p>SKU NO. DC3190A</p> <p>SIZE: N/A</p>	<p>SCHMATIC NO. AND REVISION:</p> <p>710-DC3190A_REV05</p>
	<p>DATE: Tuesday, December 20, 2022</p>		<p>SHEET 1 OF 1</p>
	<p>DATE: Tuesday, December 20, 2022</p>		
	<p>SHEET 1 OF 1</p>		