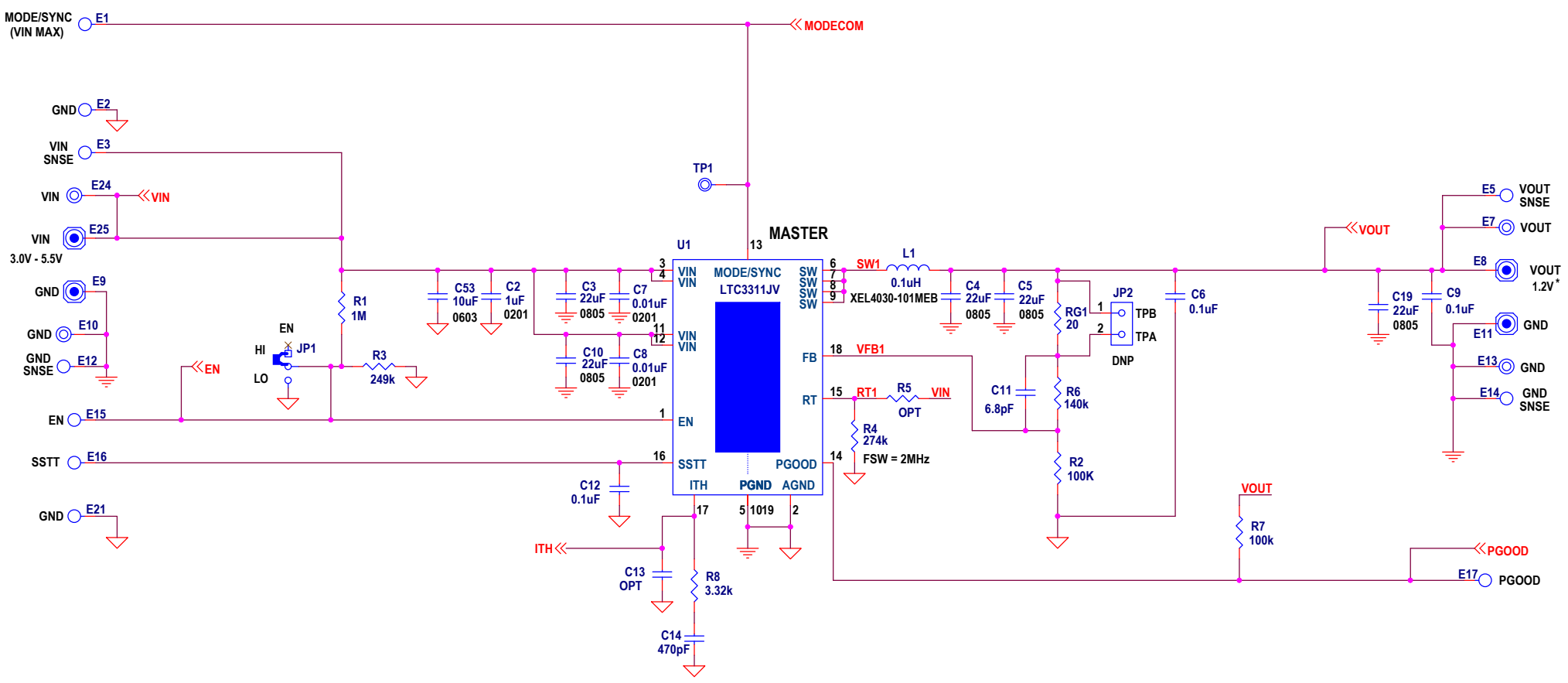


REVISION HISTORY				
ECO	REV	DESCRIPTION	APPROVED	DATE
-	02	PRODUCTION		09/20/21



* ASSEMBLY OPTIONS TABLE

SKU#	# OF PHASES	DO NOT POPULATE	SLAVE 1		SLAVE 2		SLAVE 3		IOUT
			R11	R12	R9	R10	R13	R14	
DC3186A-A	4	NONE	100k	301k	0	DNP	301k	100k	50A
DC3186A-B	3	SLAVE 3	174k	243k	243k	174k	DNP	DNP	37.5A
DC3186A-C	2	SLAVE 2 & 3	0	DNP	DNP	DNP	DNP	DNP	25A

NOTES: UNLESS OTHERWISE SPECIFIED
 1. RESISTORS: OHMS, 0402, 1%, 1/16W
 2. CAPACITORS: 0402


CUSTOMER NOTICE

ANALOG DEVICES HAS MADE A BEST EFFORT TO DESIGN A CIRCUIT THAT MEETS CUSTOMER-SUPPLIED SPECIFICATIONS; HOWEVER, IT REMAINS THE CUSTOMER'S RESPONSIBILITY TO VERIFY PROPER AND RELIABLE OPERATION IN THE ACTUAL APPLICATION. COMPONENT SUBSTITUTION AND PRINTED CIRCUIT BOARD LAYOUT MAY SIGNIFICANTLY AFFECT CIRCUIT PERFORMANCE OR RELIABILITY. CONTACT ANALOG DEVICES APPLICATIONS ENGINEERING FOR ASSISTANCE.

THIS CIRCUIT IS PROPRIETARY TO ANALOG DEVICES AND SUPPLIED FOR USE WITH ANALOG DEVICES PARTS.

APPROVALS

PCB DES.	NC
APP ENG.	WL

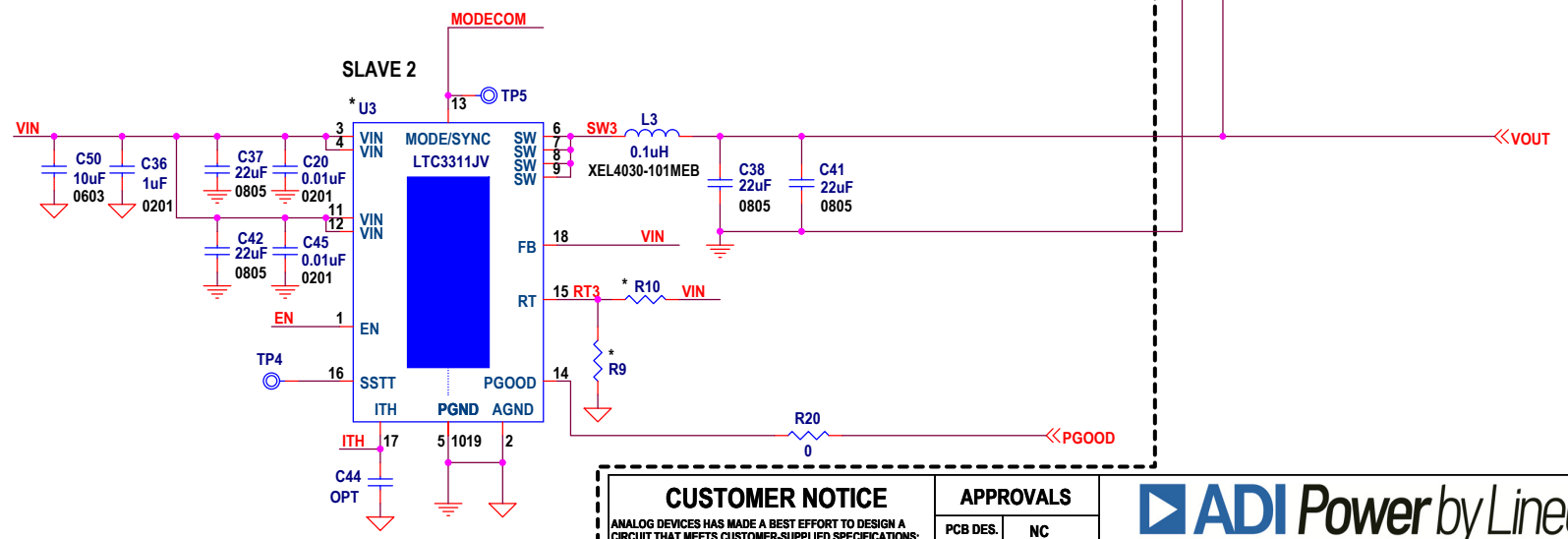
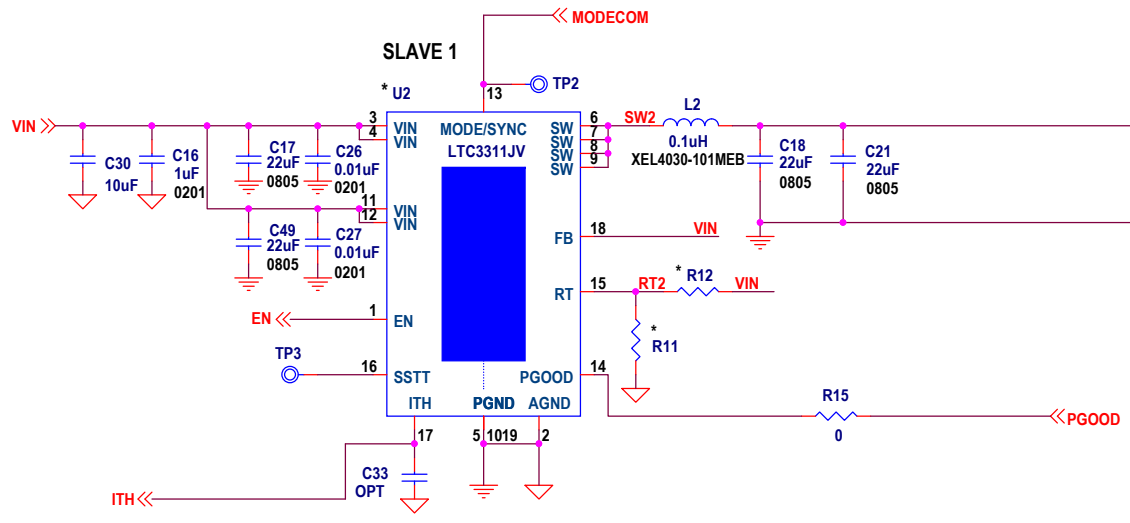



www.analog.com

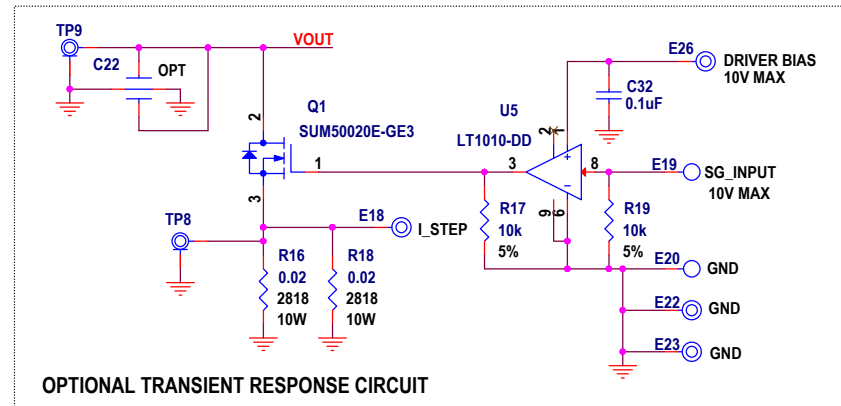
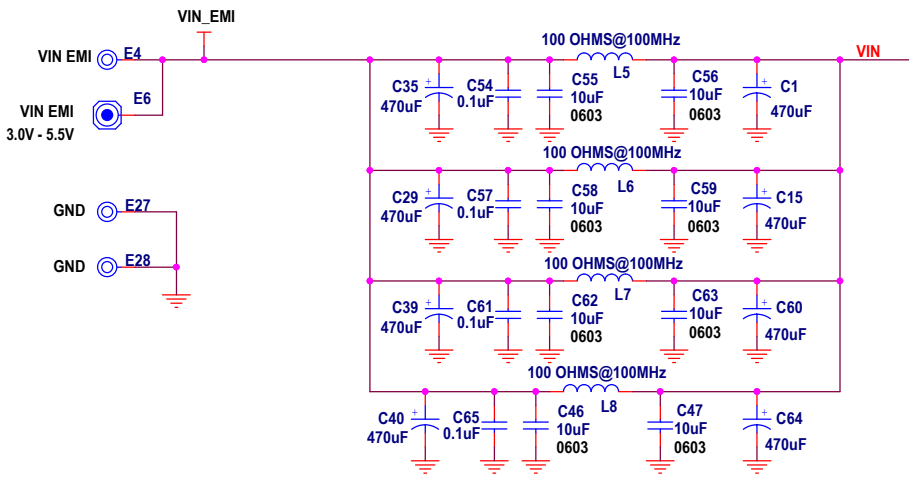
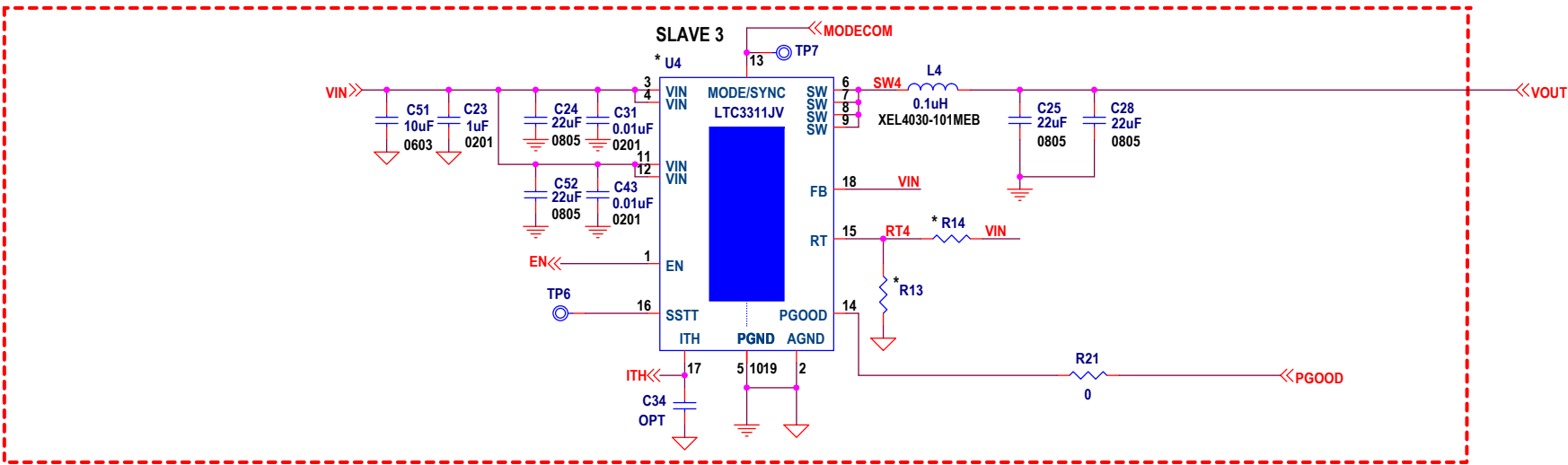
TITLE: SCHEMATIC
3.3V TO 1.2V AT 50A, 37.5A, 25A, MULTIPHASE 2MHz AUTOMOTIVE LOW EMI BUCK REGULATOR IN A 1.18cm² PER PHASE SOLUTION

IC NO. LTC3311 SCHEMATIC NO. AND REVISION:
 SKU NO. * SEE TABLE **710-DC3186A_REV02**

SIZE: N/A DATE: 09/20/21 SHEET 1 OF 4



CUSTOMER NOTICE		APPROVALS		 www.analog.com
ANALOG DEVICES HAS MADE A BEST EFFORT TO DESIGN A CIRCUIT THAT MEETS CUSTOMER-SUPPLIED SPECIFICATIONS; HOWEVER, IT REMAINS THE CUSTOMER'S RESPONSIBILITY TO VERIFY PROPER AND RELIABLE OPERATION IN THE ACTUAL APPLICATION. COMPONENT SUBSTITUTION AND PRINTED CIRCUIT BOARD LAYOUT MAY SIGNIFICANTLY AFFECT CIRCUIT PERFORMANCE OR RELIABILITY. CONTACT ANALOG DEVICES APPLICATIONS ENGINEERING FOR ASSISTANCE.		PCB DES.	NC	
THIS CIRCUIT IS PROPRIETARY TO ANALOG DEVICES AND SUPPLIED FOR USE WITH ANALOG DEVICES PARTS.		APP ENG.	WL	TITLE: SCHEMATIC
				3.3V TO 1.2V AT 50A, 37.5A, 25A, MULTIPHASE 2MHz AUTOMOTIVE LOW EMI BUCK REGULATOR IN A 1.18cm ² PER PHASE SOLUTION
				IC NO. LTC3311
				SKU NO. * SEE TABLE ON PAGE 1
				SCHEMATIC NO. AND REVISION: 710-DC3186A_REV02
		SIZE: N/A	DATE: 09/20/21	SHEET 2 OF 4



CUSTOMER NOTICE

ANALOG DEVICES HAS MADE A BEST EFFORT TO DESIGN A CIRCUIT THAT MEETS CUSTOMER-SUPPLIED SPECIFICATIONS; HOWEVER, IT REMAINS THE CUSTOMER'S RESPONSIBILITY TO VERIFY PROPER AND RELIABLE OPERATION IN THE ACTUAL APPLICATION. COMPONENT SUBSTITUTION AND PRINTED CIRCUIT BOARD LAYOUT MAY SIGNIFICANTLY AFFECT CIRCUIT PERFORMANCE OR RELIABILITY. CONTACT ANALOG DEVICES APPLICATIONS ENGINEERING FOR ASSISTANCE.

THIS CIRCUIT IS PROPRIETARY TO ANALOG DEVICES AND SUPPLIED FOR USE WITH ANALOG DEVICES PARTS.

APPROVALS

PCB DES.	NC
APP ENG.	WL



www.analog.com


TITLE: SCHEMATIC
3.3V TO 1.2V AT 50A, 37.5A, 25A, MULTIPHASE 2MHz AUTOMOTIVE LOW EMI BUCK REGULATOR IN A 1.18cm² PER PHASE SOLUTION

IC NO. LTC3311 **SCHEMATIC NO. AND REVISION:**
SKU NO. * SEE TABLE ON PAGE 1 **710-DC3186A_REV02**

SIZE: N/A **DATE: 09/20/21** **SHEET 3 OF 4**

PCA ADDITIONAL PARTS

MP1	STANDOFF,NYLON,SNAP-ON,0.25" (6.4mm)
MP2	STANDOFF,NYLON,SNAP-ON,0.25" (6.4mm)
MP3	STANDOFF,NYLON,SNAP-ON,0.25" (6.4mm)
MP4	STANDOFF,NYLON,SNAP-ON,0.25" (6.4mm)
LB1	LABEL
PCB1	PCB, DC3186A REV02
MP5	RING,LUG,#10,CRIMP,8 AWG,FLAT,NON-INSULATED,SOLDERLESS TERMINAL
MP6	RING,LUG,#10,CRIMP,8 AWG,FLAT,NON-INSULATED,SOLDERLESS TERMINAL
MP7	RING,LUG,#10,CRIMP,8 AWG,FLAT,NON-INSULATED,SOLDERLESS TERMINAL
MP8	RING,LUG,#10,CRIMP,8 AWG,FLAT,NON-INSULATED,SOLDERLESS TERMINAL
MP9	RING,LUG,#10,CRIMP,8 AWG,FLAT,NON-INSULATED,SOLDERLESS TERMINAL
MP10	NUT,HEX,#10-32,BRASS
MP11	NUT,HEX,#10-32,BRASS
MP12	NUT,HEX,#10-32,BRASS
MP13	NUT,HEX,#10-32,BRASS
MP14	NUT,HEX,#10-32,BRASS
MP15	NUT,HEX,#10-32,BRASS
MP16	NUT,HEX,#10-32,BRASS
MP17	NUT,HEX,#10-32,BRASS
MP18	NUT,HEX,#10-32,BRASS
MP19	NUT,HEX,#10-32,BRASS
MP20	WASHER,#10,LOCK,EXT,TIN FINISH
MP21	WASHER,#10,LOCK,EXT,TIN FINISH
MP22	WASHER,#10,LOCK,EXT,TIN FINISH
MP23	WASHER,#10,LOCK,EXT,TIN FINISH
MP24	WASHER,#10,LOCK,EXT,TIN FINISH

<p>CUSTOMER NOTICE</p> <p>ANALOG DEVICES HAS MADE A BEST EFFORT TO DESIGN A CIRCUIT THAT MEETS CUSTOMER-SUPPLIED SPECIFICATIONS; HOWEVER, IT REMAINS THE CUSTOMER'S RESPONSIBILITY TO VERIFY PROPER AND RELIABLE OPERATION IN THE ACTUAL APPLICATION. COMPONENT SUBSTITUTION AND PRINTED CIRCUIT BOARD LAYOUT MAY SIGNIFICANTLY AFFECT CIRCUIT PERFORMANCE OR RELIABILITY. CONTACT ANALOG DEVICES APPLICATIONS ENGINEERING FOR ASSISTANCE.</p>	<p>APPROVALS</p>		 <p>www.analog.com</p>
	<p>PCB DES. NC</p>	<p>APP ENG. WL</p>	
<p>THIS CIRCUIT IS PROPRIETARY TO ANALOG DEVICES AND SUPPLIED FOR USE WITH ANALOG DEVICES PARTS.</p>	<p>IC NO. LTC3311</p>	<p>SKU NO. * SEE TABLE ON PAGE 1</p>	<p>SCHEMATIC NO. AND REVISION: 710-DC3186A_REV02</p>
	<p>SIZE: N/A</p>	<p>DATE: 09/20/21</p>	<p>SHEET 4 OF 4</p>