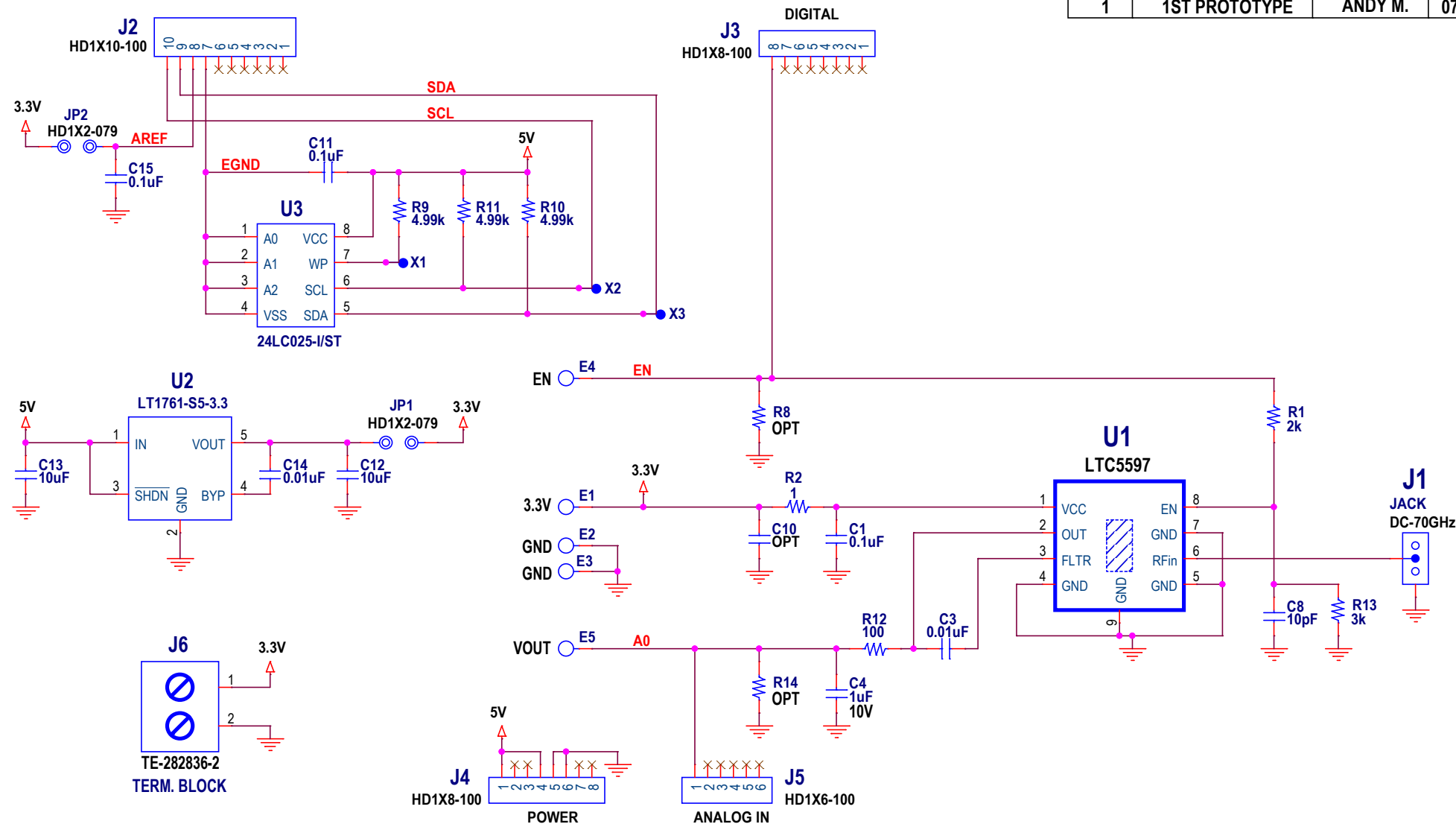


REVISION HISTORY			
REV	DESCRIPTION	APPROVED	DATE
1	1ST PROTOTYPE	ANDY M.	07-23-20



PCB1	PCB, DC3128A	REV01
------	--------------	-------

**NOTE: UNLESS OTHERWISE SPECIFIED**


- ALL RESISTORS ARE IN OHMS, 0402
- ALL CAPACITORS ARE IN MICROFARADS, 0402

**CUSTOMER NOTICE**

ANALOG DEVICES HAS MADE A BEST EFFORT TO DESIGN A CIRCUIT THAT MEETS CUSTOMER-SUPPLIED SPECIFICATIONS; HOWEVER, IT REMAINS THE CUSTOMER'S RESPONSIBILITY TO VERIFY PROPER AND RELIABLE OPERATION IN THE ACTUAL APPLICATION. COMPONENT SUBSTITUTION AND PRINTED CIRCUIT BOARD LAYOUT MAY SIGNIFICANTLY AFFECT CIRCUIT PERFORMANCE OR RELIABILITY. CONTACT ANALOG DEVICES APPLICATIONS ENGINEERING FOR ASSISTANCE.

THIS CIRCUIT IS PROPRIETARY TO ANALOG DEVICES AND SUPPLIED FOR USE WITH ANALOG DEVICES PARTS.

APPROVALS	
PCB DES.	KIM T.
APP ENG.	ANDY M.



**ANALOG DEVICES**  
AHEAD OF WHAT'S POSSIBLE™

2555 AUGUSTINE DRIVE  
SANTA CLARA, CA 95054  
[www.analog.com](http://www.analog.com)

**TITLE: SCHEMATIC**

**100MHz - 70 GHz RMS POWER DETECTOR**

IC NO. <b>LTC5597IDC</b>	SCHEMATIC NO. AND REVISION: <b>710-DC3128A_REV01</b>
SKU NO. <b>DC3128A-1</b>	
SIZE: <b>N/A</b>	DATE: <b>Tuesday, April 27, 2021</b>
SHEET <b>1</b> OF <b>1</b>	