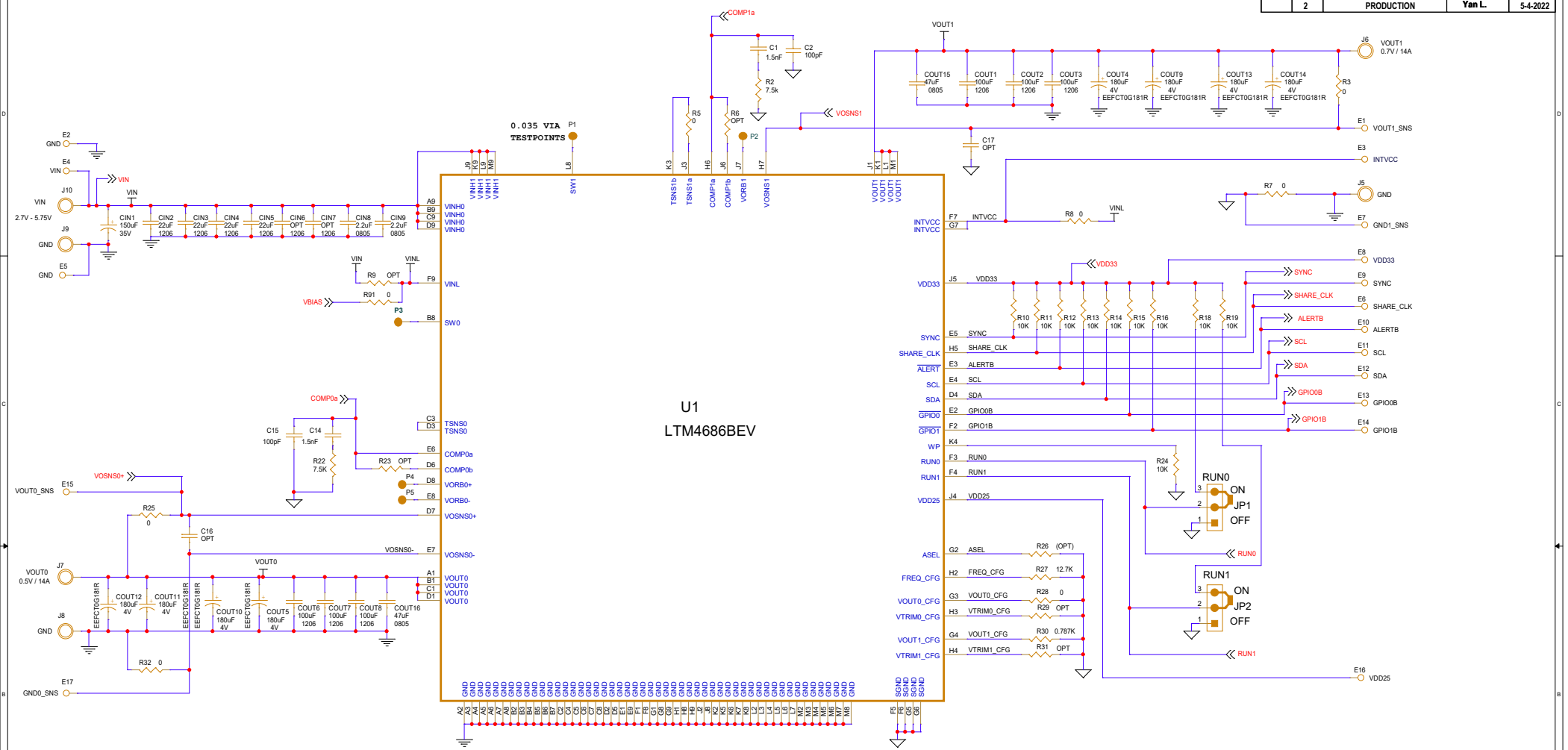
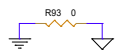


| REVISION HISTORY | | | | |
|------------------|-----|-------------|----------|----------|
| ECO | REV | DESCRIPTION | APPROVED | DATE |
| | 2 | PRODUCTION | Yan L. | 5-4-2022 |



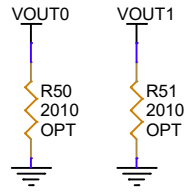
NOTE: UNLESS OTHERWISE SPECIFIED
 1. ALL RESISTORS ARE 0603.
 ALL CAPACITORS ARE 0603.

When 2.70V < Vin < 5.50V, R9=OPEN, R91=R92=0ohm
 When 4.50V < Vin < 5.75V, R9=0ohm, R91=R92=OPEN

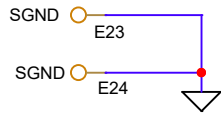


| CUSTOMER NOTICE | | APPROVALS | | ANALOG DEVICES | | POWER BY LINEAR | | | |
|---|--|-----------|--|---|--------|---|--|---------------------|--|
| <small>ANALOG DEVICES HAS MADE A BEST EFFORT TO DESIGN A CIRCUIT THAT MEETS CUSTOMER-SUPPLIED SPECIFICATIONS. HOWEVER, IT REMAINS THE CUSTOMER'S RESPONSIBILITY TO VERIFY PROPER AND RELIABLE OPERATION IN THE ACTUAL APPLICATION. COMPONENT SUBSTITUTION AND PRINTED CIRCUIT BOARD LAYOUT MAY SIGNIFICANTLY AFFECT CIRCUIT PERFORMANCE OR RELIABILITY. CONTACT ANALOG DEVICES APPLICATIONS ENGINEERING FOR ASSISTANCE.</small> | | | | PCR DES. | HZ | <small>www.analog.com</small> Phone: (408)432-1900 | | | |
| | | | | APP ENG. | Yan L. | | | | |
| <small>THIS CIRCUIT IS PROPRIETARY TO ANALOG DEVICES AND SUPPLIED FOR USE WITH ANALOG DEVICES PARTS.</small> | | | | TITLE: SCHEMATIC ULTRATHIN DUAL STEP-DOWN uMODULE REGULATOR <small>WITH POWER SYSTEM MANAGEMENT</small> | | | | | |
| | | | | IC NO. LTM4686BEV SKU NO. DC3089A | | SCHEMATIC NO. AND REVISION: DC3089A2 | | | |
| | | | | SIZE: N/A | | DATE: Tuesday, May 24, 2022 | | SHEET 1 OF 3 | |
| | | | | | | | | | |

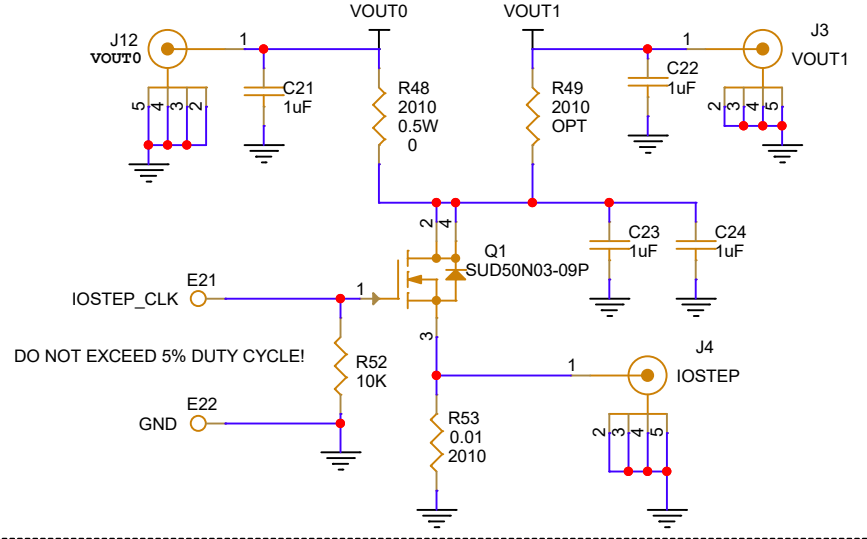
ALL PARTS ON THIS PAGE ARE FOR DEMO ONLY, NOT NEEDED IN CUSTOMER DESIGN



BLEEDER LOADS

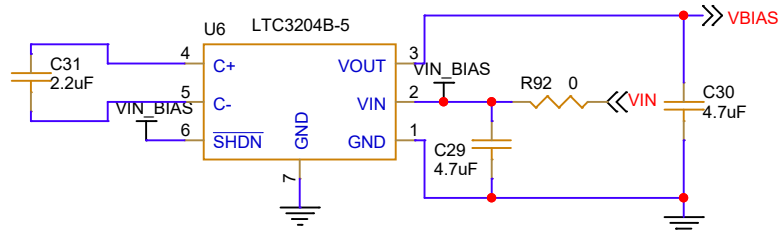


DYNAMIC LOAD CIRCUIT

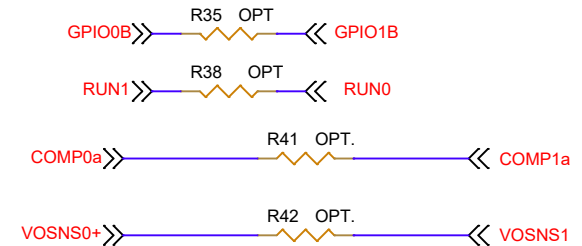


DO NOT EXCEED 5% DUTY CYCLE!

OPTIONAL CHARGE PUMP FOR 2.7V ≤ VIN ≤ 5.5V APPLICATION



OPTIONAL JUMPER FOR DUAL PHASE SINGLE OUTPUT CONFIGURATION



CUSTOMER NOTICE

ANALOG DEVICES HAS MADE A BEST EFFORT TO DESIGN A CIRCUIT THAT MEETS CUSTOMER-SUPPLIED SPECIFICATIONS; HOWEVER, IT REMAINS THE CUSTOMER'S RESPONSIBILITY TO VERIFY PROPER AND RELIABLE OPERATION IN THE ACTUAL APPLICATION. COMPONENT SUBSTITUTION AND PRINTED CIRCUIT BOARD LAYOUT MAY SIGNIFICANTLY AFFECT CIRCUIT PERFORMANCE OR RELIABILITY. CONTACT ANALOG DEVICES APPLICATIONS ENGINEERING FOR ASSISTANCE.

THIS CIRCUIT IS PROPRIETARY TO ANALOG DEVICES AND SUPPLIED FOR USE WITH ANALOG DEVICES PARTS.

APPROVALS

| | |
|----------|--------|
| PCB DES. | HZ |
| APP ENG. | Yan L. |



www.analog.com

Phone: (408)432-1900

TITLE: SCHEMATIC

ULTRATHIN DUAL STEP-DOWN μ MODULE REGULATOR WITH POWER SYSTEM MANAGEMENT

IC NO. LTM4686BEV
SKU NO. DC3089A

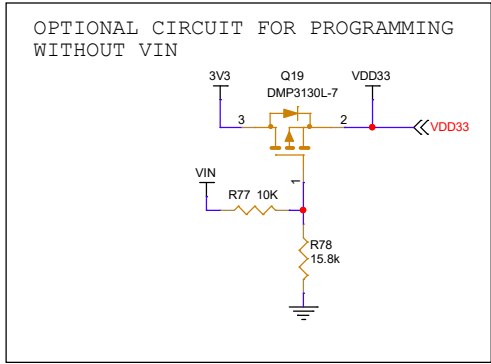
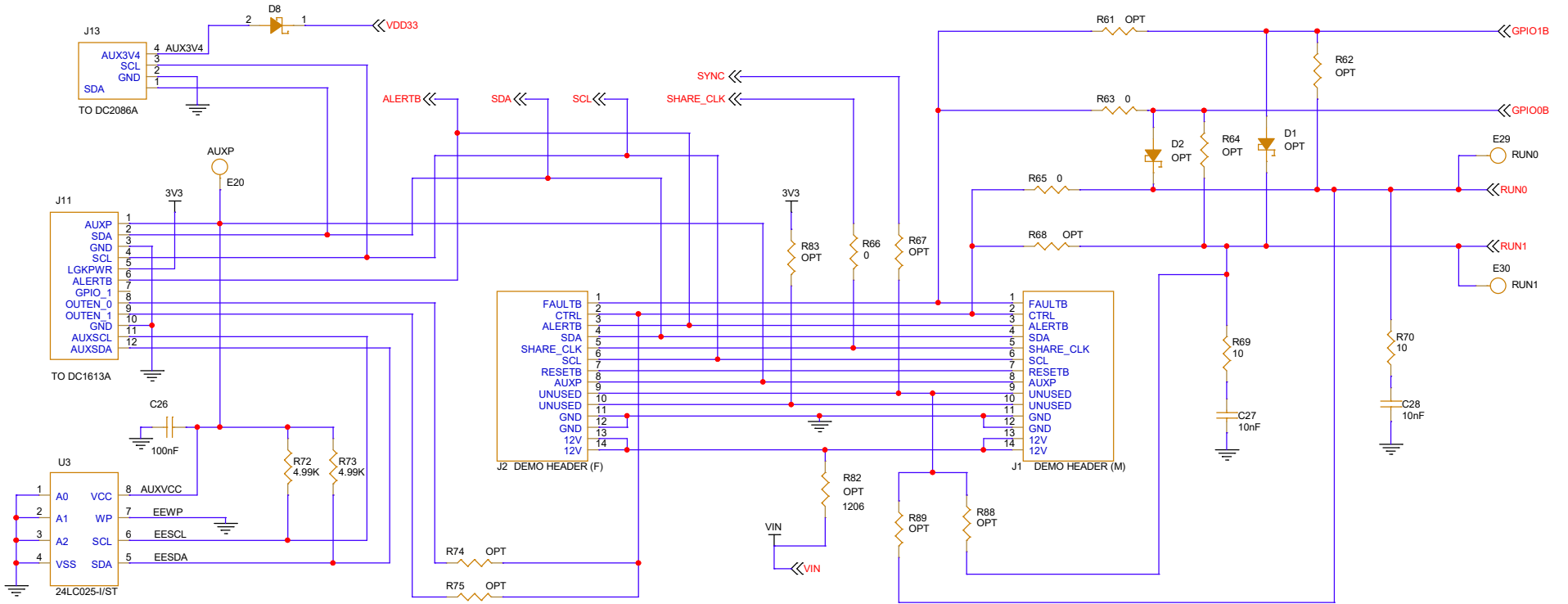
SCHEMATIC NO. AND REVISION:
DC3089A2

SIZE: N/A

DATE: Tuesday, May 24, 2022

SHEET 2 OF 3

ALL PARTS ON THIS PAGE ARE FOR DEMO BOARD ONLY, NOT NEEDED IN CUSTOMER DESIGN



PSM STACKING CONNECTORS:
 J1, MALE, CONN HEADER 14POS 2MM R/A GOLD, Molex Connector Corp. 87760-1416
 J2, FEMALE, CONN RECEPT 2MM DUAL R/A 14POS, Sullins Conn. NPPN072FJFN-RC

| CUSTOMER NOTICE | | APPROVALS | | ANALOG DEVICES | POWER BY LINEAR |
|--|--|-----------|-----------------------------|--|---|
| ANALOG DEVICES HAS MADE A BEST EFFORT TO DESIGN A CIRCUIT THAT MEETS CUSTOMER-SUPPLIED SPECIFICATIONS; HOWEVER, IT REMAINS THE CUSTOMER'S RESPONSIBILITY TO VERIFY PROPER AND RELIABLE OPERATION IN THE ACTUAL APPLICATION. COMPONENT SUBSTITUTION AND PRINTED CIRCUIT BOARD LAYOUT MAY SIGNIFICANTLY AFFECT CIRCUIT PERFORMANCE OR RELIABILITY. CONTACT ANALOG DEVICES APPLICATIONS ENGINEERING FOR ASSISTANCE. | | PCB DES. | HZ | | |
| THIS CIRCUIT IS PROPRIETARY TO ANALOG DEVICES AND SUPPLIED FOR USE WITH ANALOG DEVICES PARTS. | | APP ENG. | Yan L. | TITLE: SCHEMATIC ULTRATHIN DUAL STEP-DOWN uMODULE REGULATOR | |
| | | | | IC NO. LTM4686BEV SKU NO. DC3089A | SCHEMATIC NO. AND REVISION: DC3089A2 |
| | | SIZE: N/A | DATE: Tuesday, May 24, 2022 | SHEET 3 OF 3 | |