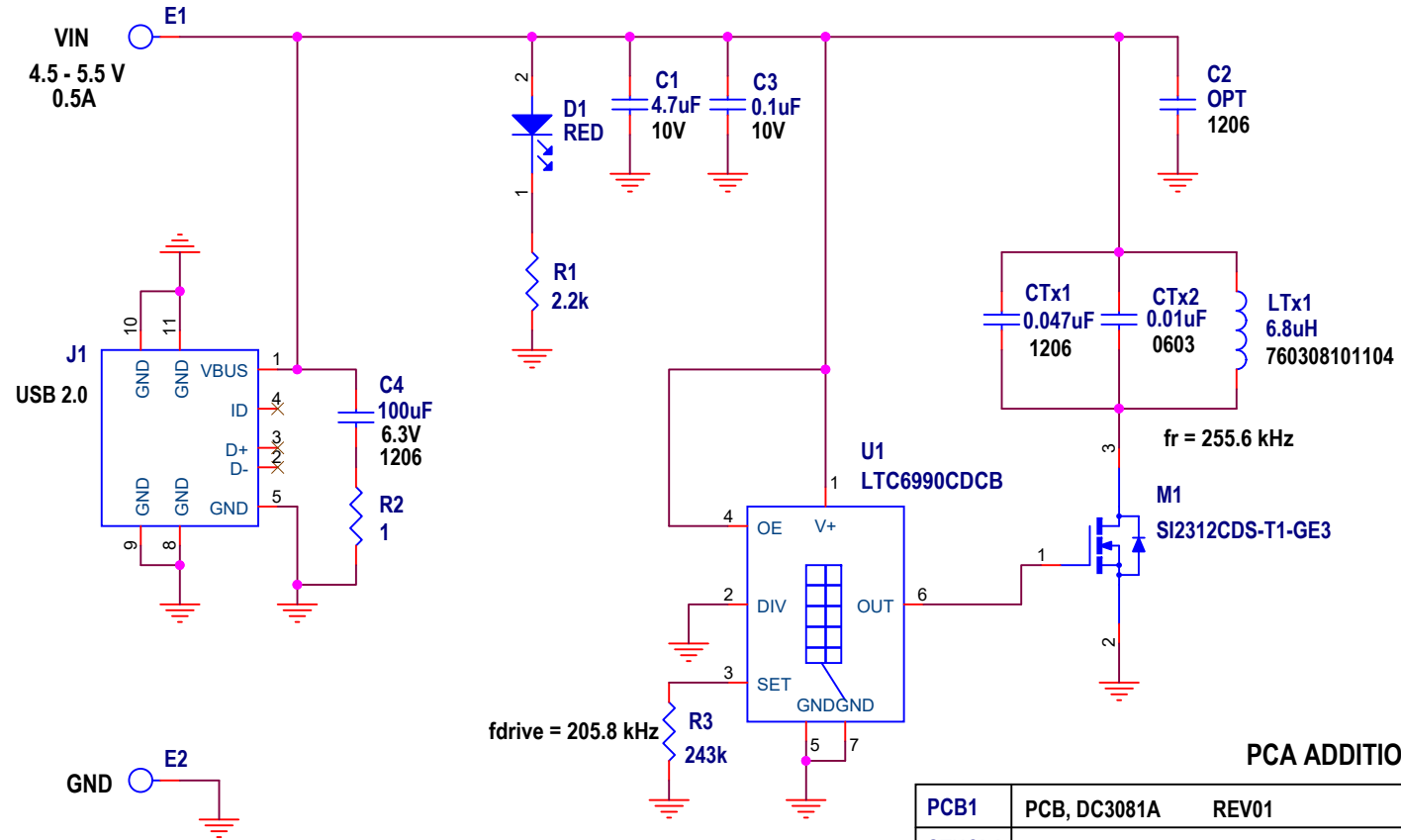


REVISION HISTORY				
ECO	REV	DESCRIPTION	APPROVED	DATE
-	01	PRODUCTION	W. Li	07-29-2020



PCA ADDITIONAL PARTS

PCB1	PCB, DC3081A REV01
STNCL1	TOOL, STENCIL, 700-DC3081A REV01
LB1	LABEL
MH1	TAPE, 3/4" x 36yds, DOUBLE SIDED POLYIMIDE KAPTON

CUSTOMER NOTICE

LINEAR TECHNOLOGY HAS MADE A BEST EFFORT TO DESIGN A CIRCUIT THAT MEETS CUSTOMER-SUPPLIED SPECIFICATIONS; HOWEVER, IT REMAINS THE CUSTOMER'S RESPONSIBILITY TO VERIFY PROPER AND RELIABLE OPERATION IN THE ACTUAL APPLICATION. COMPONENT SUBSTITUTION AND PRINTED CIRCUIT BOARD LAYOUT MAY SIGNIFICANTLY AFFECT CIRCUIT PERFORMANCE OR RELIABILITY. CONTACT LINEAR TECHNOLOGY APPLICATIONS ENGINEERING FOR ASSISTANCE.

THIS CIRCUIT IS PROPRIETARY TO LINEAR TECHNOLOGY AND SUPPLIED FOR USE WITH LINEAR TECHNOLOGY PARTS.

APPROVALS

PCB DES.	NC
APP ENG.	W. Li

SCALE = NONE



www.analog.com

TITLE: SCHEMATIC
SINGLE SWITCH TRANSMITTER FOR LTC4126-ADJ WITH 10mA CHARGE CURRENT

SIZE	IC NO.	LTC6990	REV.	01
		DEMO CIRCUIT 3081A		

DATE: 07-29-2020 SHEET 1 OF 1

UNLESS NOTED:
RESISTORS: OHMS, 0402, 1%, 1/16W
CAPACITORS: uF, 0402, 10%, 50V