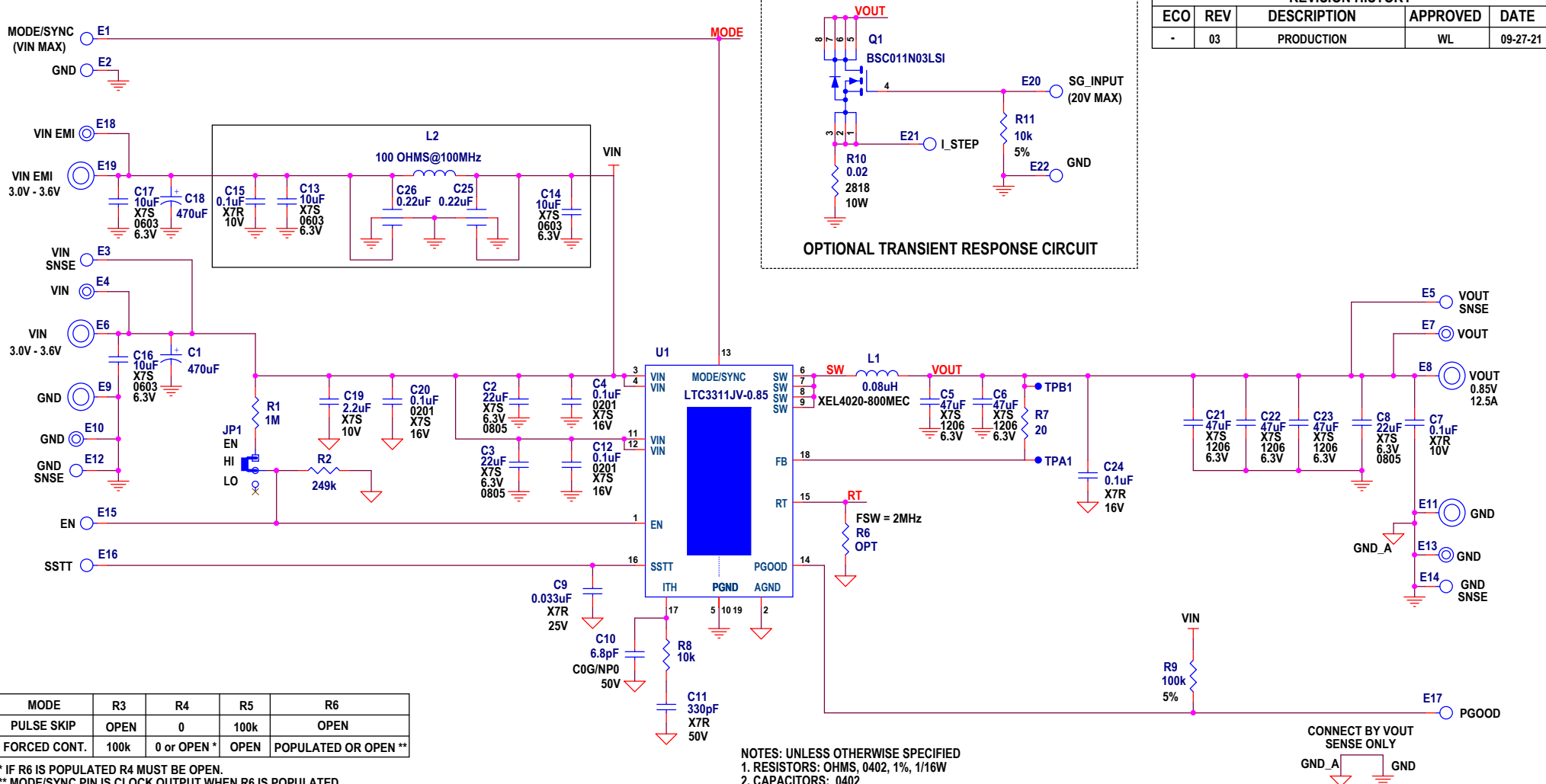
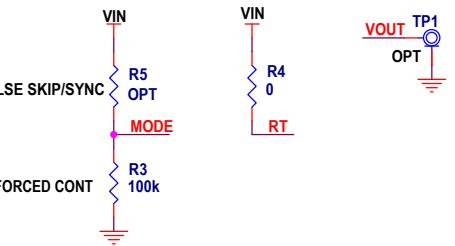


REVISION HISTORY				
ECO	REV	DESCRIPTION	APPROVED	DATE
-	03	PRODUCTION	WL	09-27-21



MODE	R3	R4	R5	R6
PULSE SKIP	OPEN	0	100k	OPEN
FORCED CONT.	100k	0 or OPEN *	OPEN	POPULATED OR OPEN **

\* IF R6 IS POPULATED R4 MUST BE OPEN.  
 \*\* MODE/SYNC PIN IS CLOCK OUTPUT WHEN R6 IS POPULATED.



PCA ADDITIONAL PARTS	
MP1	STANDOFF,NYLON,SNAP-ON,0.50"
MP2	STANDOFF,NYLON,SNAP-ON,0.50"
MP3	STANDOFF,NYLON,SNAP-ON,0.50"
MP4	STANDOFF,NYLON,SNAP-ON,0.50"
PCB1	PCB, DC3059A REV03

NOTES: UNLESS OTHERWISE SPECIFIED  
 1. RESISTORS: OHMS, 0402, 1%, 1/16W  
 2. CAPACITORS: 0402

CUSTOMER NOTICE		APPROVALS		 www.analog.com	
ANALOG DEVICES HAS MADE A BEST EFFORT TO DESIGN A CIRCUIT THAT MEETS CUSTOMER-SUPPLIED SPECIFICATIONS; HOWEVER, IT REMAINS THE CUSTOMER'S RESPONSIBILITY TO VERIFY PROPER AND RELIABLE OPERATION IN THE ACTUAL APPLICATION. COMPONENT SUBSTITUTION AND PRINTED CIRCUIT BOARD LAYOUT MAY SIGNIFICANTLY AFFECT CIRCUIT PERFORMANCE OR RELIABILITY. CONTACT ANALOG DEVICES APPLICATIONS ENGINEERING FOR ASSISTANCE.		PCB DES.	NC		
THIS CIRCUIT IS PROPRIETARY TO ANALOG DEVICES AND SUPPLIED FOR USE WITH ANALOG DEVICES PARTS.		APP ENG.	WL	<b>IC NO. LTC3311-0.85</b> <b>SKU NO. DC3059A</b>	
				<b>SCHEMATIC NO. AND REVISION:</b> <b>710-DC3059A_REV03</b>	
				<b>SIZE: N/A</b> <b>DATE: 09-27-21</b>	
				<b>SHEET 1 OF 1</b>	