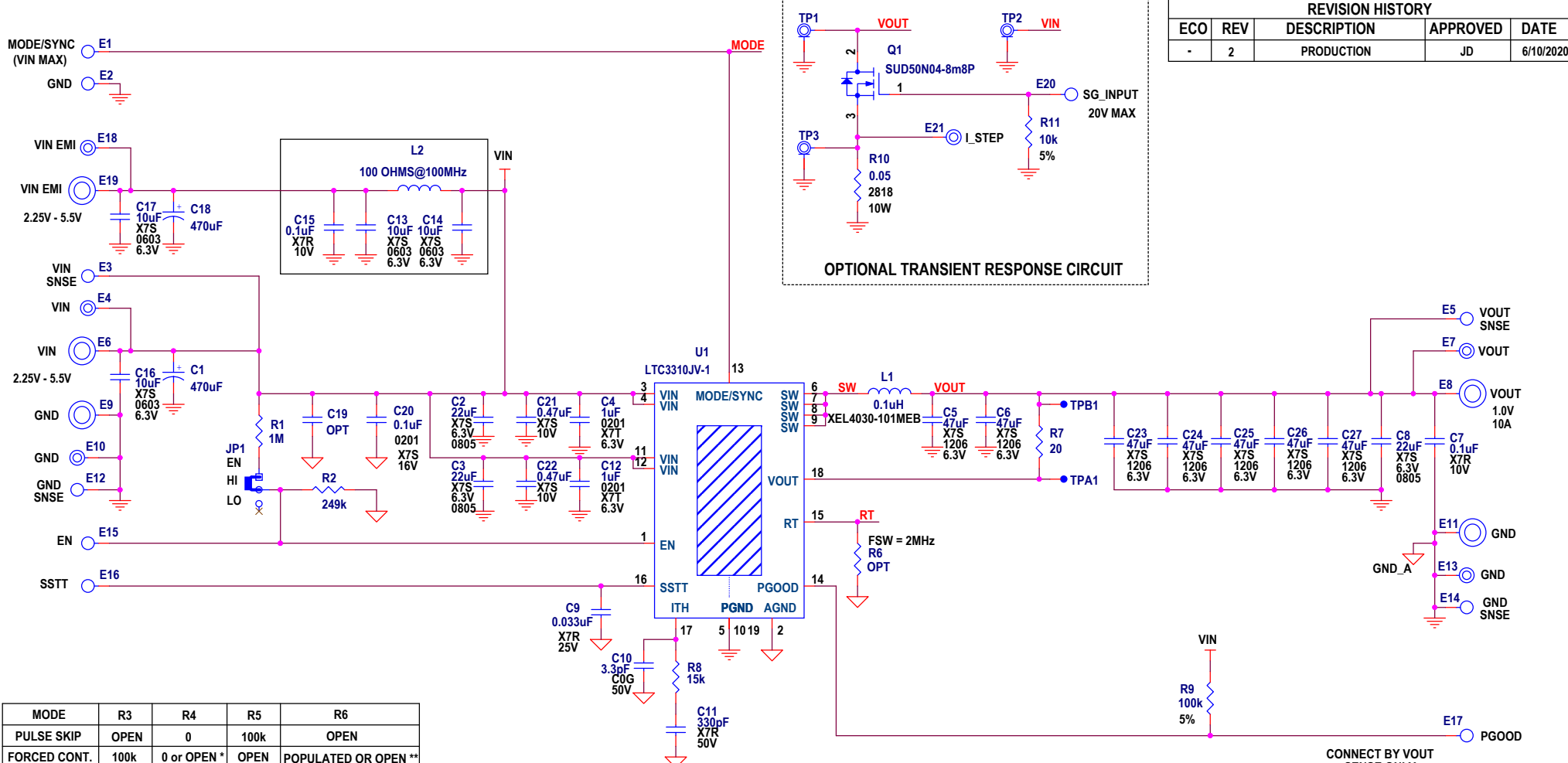


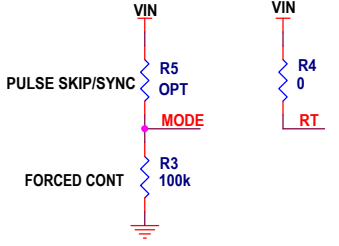
REVISION HISTORY				
ECO	REV	DESCRIPTION	APPROVED	DATE
-	2	PRODUCTION	JD	6/10/2020



MODE	R3	R4	R5	R6
PULSE SKIP	OPEN	0	100k	OPEN
FORCED CONT.	100k	0 or OPEN *	OPEN	POPULATED OR OPEN **

* IF R6 IS POPULATED R4 MUST BE OPEN.
 ** MODE/SYNC PIN IS CLOCK OUTPUT WHEN R6 IS POPULATED.

NOTES: UNLESS OTHERWISE SPECIFIED
 1. RESISTORS: OHMS, 0402, 1%, 1/16W
 2. CAPACITORS: 0402



PCA ADDITIONAL PARTS	
MP1	STANDOFF,NYLON,SNAP-ON,0.50"
MP2	STANDOFF,NYLON,SNAP-ON,0.50"
MP3	STANDOFF,NYLON,SNAP-ON,0.50"
MP4	STANDOFF,NYLON,SNAP-ON,0.50"
LB1	LABEL
PCB1	PCB, DC3043A REV02

CUSTOMER NOTICE
 LINEAR TECHNOLOGY HAS MADE A BEST EFFORT TO DESIGN A CIRCUIT THAT MEETS CUSTOMER-SUPPLIED SPECIFICATIONS; HOWEVER, IT REMAINS THE CUSTOMER'S RESPONSIBILITY TO VERIFY PROPER AND RELIABLE OPERATION IN THE ACTUAL APPLICATION. COMPONENT SUBSTITUTION AND PRINTED CIRCUIT BOARD LAYOUT MAY SIGNIFICANTLY AFFECT CIRCUIT PERFORMANCE OR RELIABILITY. CONTACT LINEAR TECHNOLOGY APPLICATIONS ENGINEERING FOR ASSISTANCE.

THIS CIRCUIT IS PROPRIETARY TO LINEAR TECHNOLOGY AND SUPPLIED FOR USE WITH LINEAR TECHNOLOGY PARTS.

APPROVALS	
PCB DES.	NC
APP ENG.	MM
IC NO. LTC3310-1	
SKU NO.	DC3043A

www.analog.com

**TITLE: DEMO CIRCUIT SCHEMATIC,
 3.3V TO 1.0V AT 10A, 2MHz AUTOMOTIVE LOW
 EMI BUCK REGULATOR IN A 2.11cm² SOLUTION**

SIZE: SCALE = NONE	PCA ASSY DWG:	SCHEMATIC NO. AND REVISION:
	705-DC3043A_REV02	710-DC3043A_REV02
DATE:	Monday, June 15, 2020	SHEET 1 OF 1