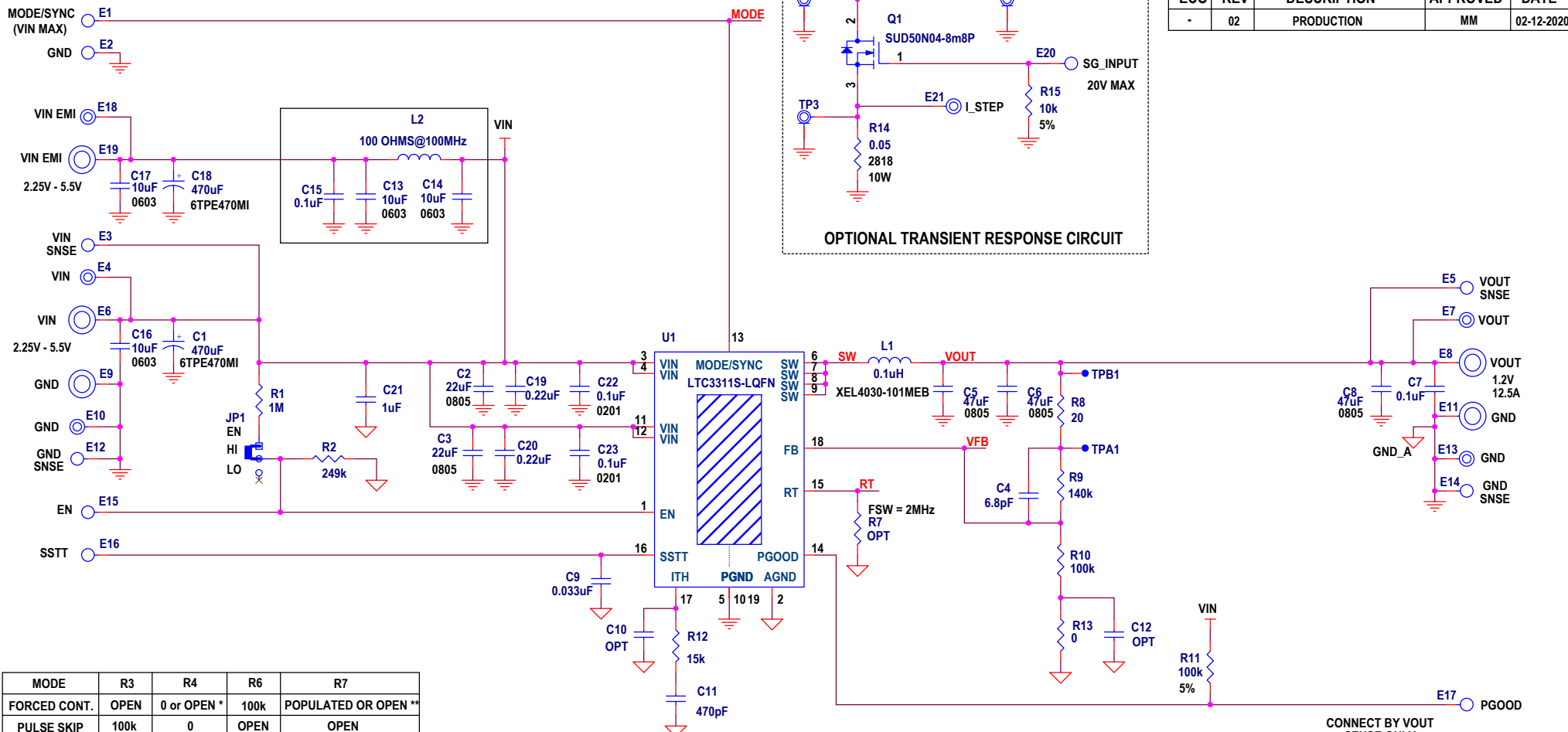
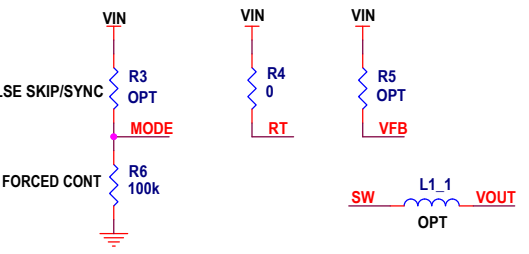


REVISION HISTORY				
ECO	REV	DESCRIPTION	APPROVED	DATE
-	02	PRODUCTION	MM	02-12-2020



MODE	R3	R4	R6	R7
FORCED CONT.	OPEN	0 or OPEN *	100k	POPULATED OR OPEN **
PULSE SKIP	100k	0	OPEN	OPEN

* IF R7 IS POPULATED R4 MUST BE OPEN.
 ** MODE/SYNC PIN IS CLOCK OUTPUT WHEN R7 IS POPULATED.



NOTES: UNLESS OTHERWISE SPECIFIED
 1. RESISTORS: OHMS, 0402, 1%, 1/16W
 2. CAPACITORS: 0402

PCA ADDITIONAL PARTS	
MP1	STANDOFF,NYLON,SNAP-ON,0.50"
MP2	STANDOFF,NYLON,SNAP-ON,0.50"
MP3	STANDOFF,NYLON,SNAP-ON,0.50"
MP4	STANDOFF,NYLON,SNAP-ON,0.50"
LB1	LABEL
STNCL1	TOOL, STENCIL, DC3018A REV02
PCB1	PCB, DC3018A REV02

CUSTOMER NOTICE
 LINEAR TECHNOLOGY HAS MADE A BEST EFFORT TO DESIGN A CIRCUIT THAT MEETS CUSTOMER-SUPPLIED SPECIFICATIONS; HOWEVER, IT REMAINS THE CUSTOMER'S RESPONSIBILITY TO VERIFY PROPER AND RELIABLE OPERATION IN THE ACTUAL APPLICATION. COMPONENT SUBSTITUTION AND PRINTED CIRCUIT BOARD LAYOUT MAY SIGNIFICANTLY AFFECT CIRCUIT PERFORMANCE OR RELIABILITY. CONTACT LINEAR TECHNOLOGY APPLICATIONS ENGINEERING FOR ASSISTANCE.

THIS CIRCUIT IS PROPRIETARY TO LINEAR TECHNOLOGY AND SUPPLIED FOR USE WITH LINEAR TECHNOLOGY PARTS.

APPROVALS	
PCB DES.	NC
APP ENG.	MM
IC NO.	
LTC3311S	
SKU NO.	
DC3018A	

www.analog.com

**TITLE: DEMO CIRCUIT SCHEMATIC,
 5V, 12.5A SYNCHRONOUS STEP-DOWN SILENT SWITCHER 2**

DATE: Wednesday, February 12, 2020	SIZE:	PCA ASS'Y DWG:	SCHMATIC NO. AND REVISION:
	SCALE = NONE	705-DC3018A_REV02	710-DC3018A_REV02

SHEET 1 OF 1