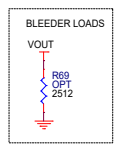
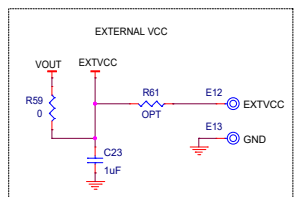
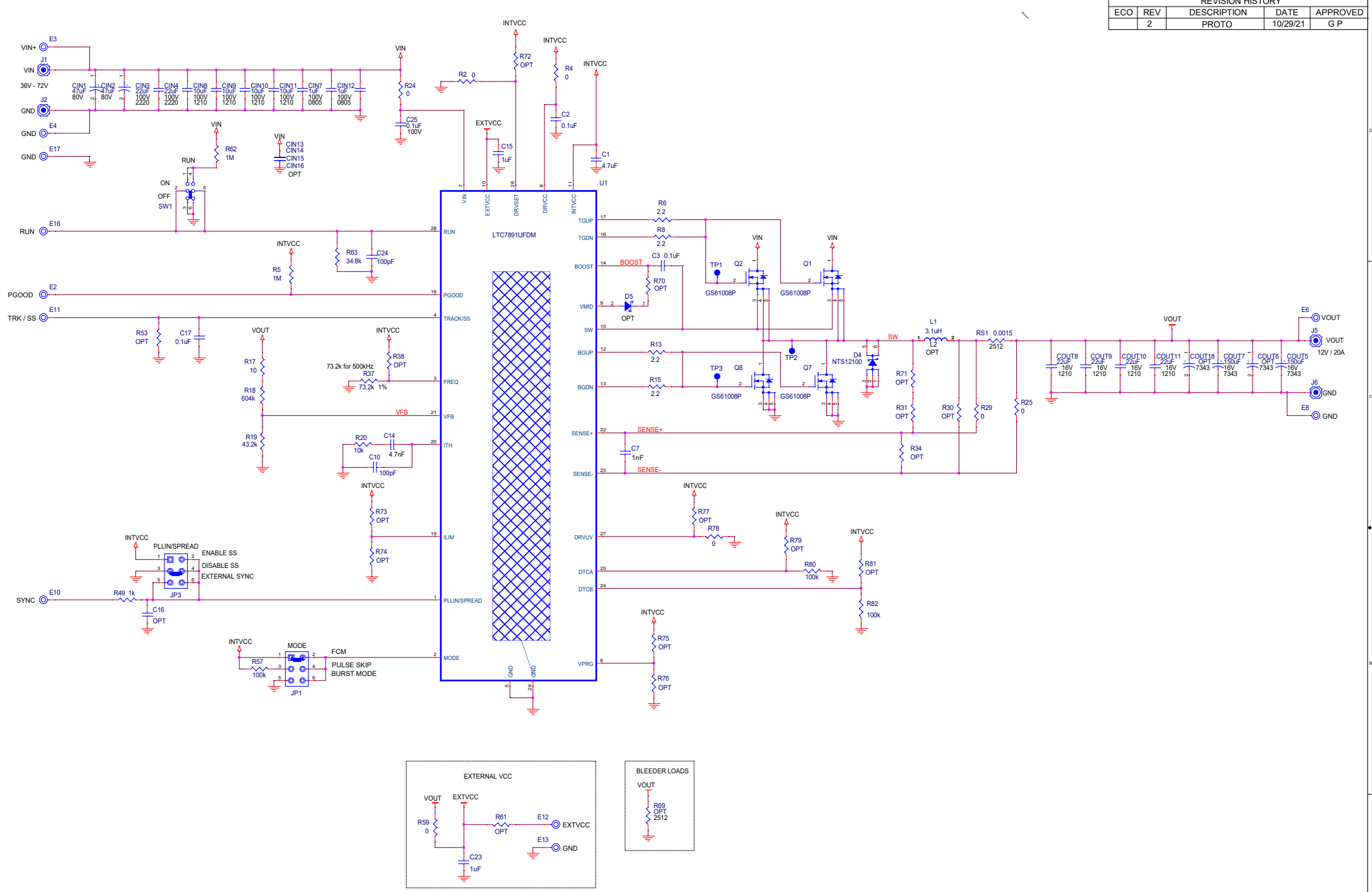


| REVISION HISTORY |     |             |          |          |
|------------------|-----|-------------|----------|----------|
| ECO              | REV | DESCRIPTION | DATE     | APPROVED |
|                  | 2   | PROTO       | 10/29/21 | G P      |



\* Note: L2 is optional footprint.

|   |             |                              |   |              |
|---|-------------|------------------------------|---|--------------|
| <b>CUSTOMER NOTICE</b>  |             | <b>APPROVALS</b>             |   |              |
| <small>ANALOG DEVICES HAS MADE A BEST EFFORT TO DESIGN A CIRCUIT THAT MEETS CUSTOMER-SUPPLIED SPECIFICATIONS. HOWEVER, IT REMAINS THE CUSTOMER'S RESPONSIBILITY TO VERIFY PROPER AND RELIABLE OPERATION IN THE ACTUAL APPLICATION. COMPONENT SUBSTITUTION AND PRINTED CIRCUIT BOARD LAYOUT MAY SIGNIFICANTLY AFFECT CIRCUIT PERFORMANCE OR RELIABILITY. CONTACT ANALOG DEVICES APPLICATIONS ENGINEERING FOR ASSISTANCE.</small> |             | PCB DES. A N<br>APP ENG. G P | TITLE: SCHEMATIC<br>HIGH FREQUENCY, STEP-DOWN SUPPLY with GaN FET |              |
| IC NO.  | LTC7891UFDM | SCHEMATIC NO. AND REVISION:  |   |              |
| SKU NO.   | DC2995A     | 710-DC2995A_REV03            |   |              |
| THIS CIRCUIT IS PROPRIETARY TO ANALOG DEVICES AND SUPPLIED FOR USE WITH ANALOG DEVICES PARTS.   |             | SIZE: NONE                   | DATE: Monday, November 01, 2021                                   | SHEET 1 OF 1 |