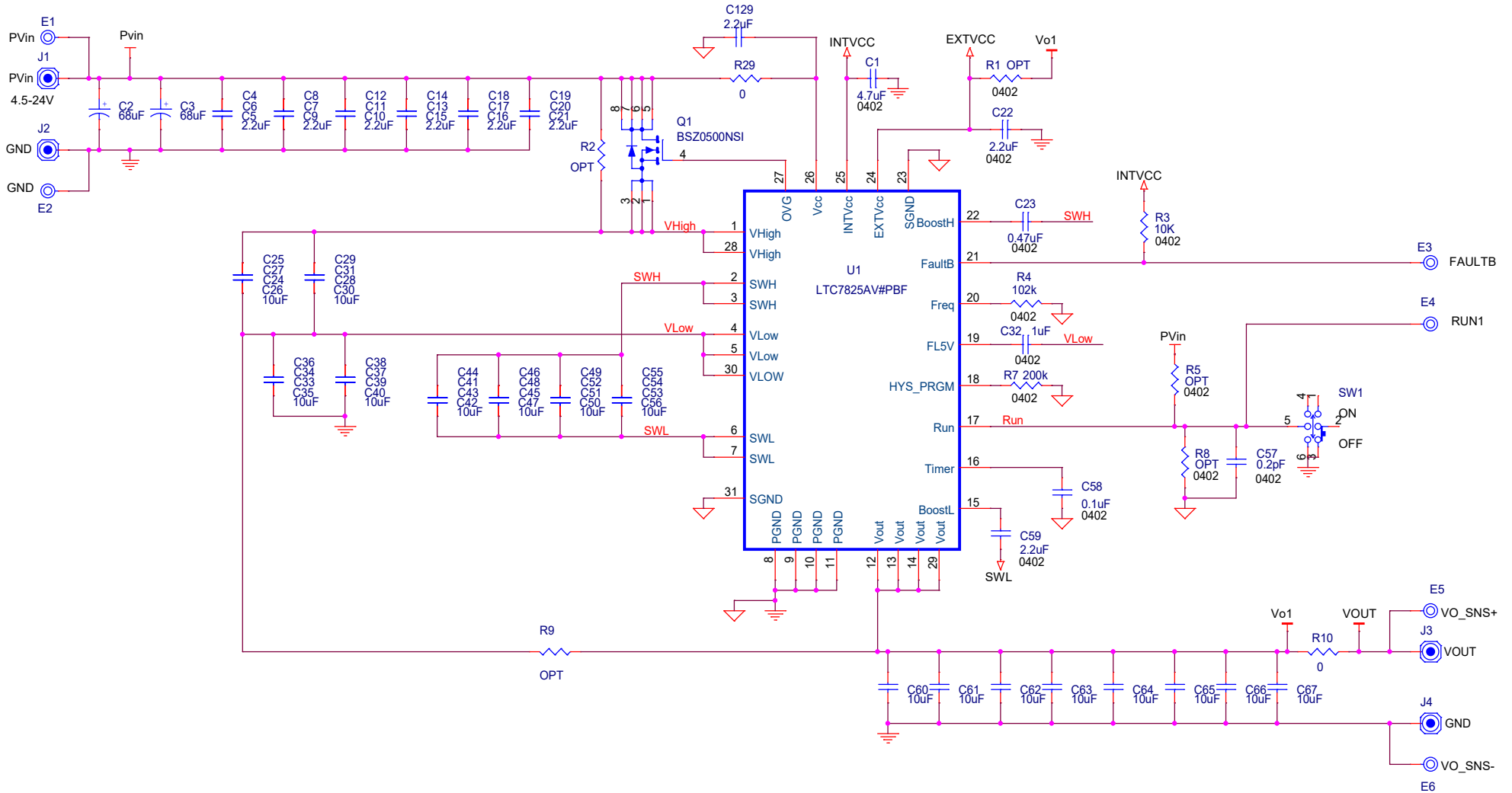


# High Efficiency 2:1 Monolithic Switched Capacitor Divider

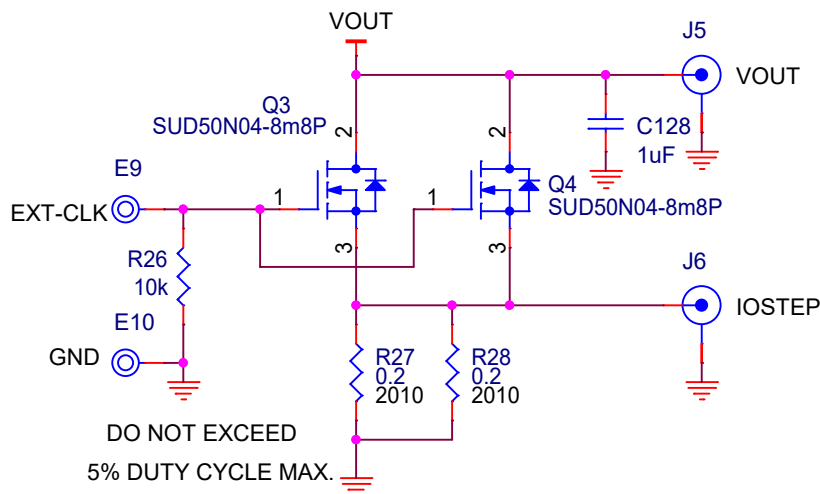
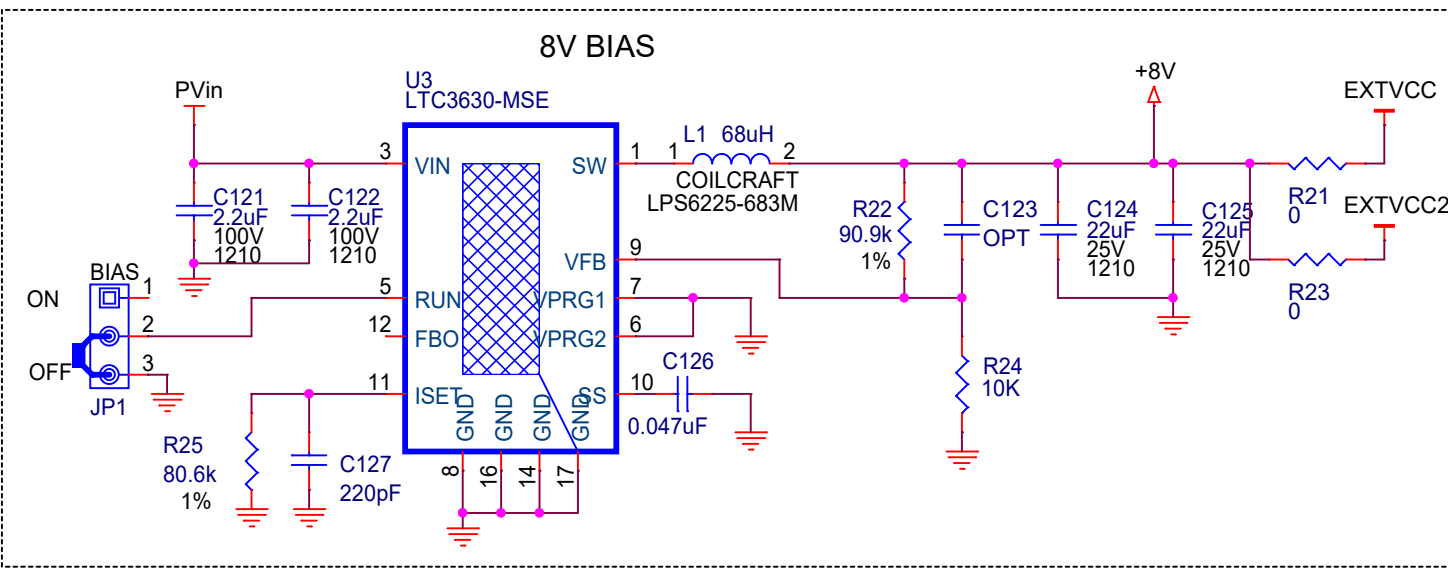
REVISION HISTORY				
ECO	REV	DESCRIPTION	DATE	APPROVED
	6	PRODUCTION	03-1-22	YC



NOTE: UNLESS OTHERWISE SPECIFIED

1. ALL RESISTORS AND CAPACITORS ARE 0603.

CUSTOMER NOTICE		APPROVALS		
ANALOG DEVICES HAS MADE A BEST EFFORT TO DESIGN A CIRCUIT THAT MEETS CUSTOMER-SUPPLIED SPECIFICATIONS. HOWEVER, IT REMAINS THE CUSTOMER'S RESPONSIBILITY TO VERIFY PROPER AND RELIABLE OPERATION IN THE ACTUAL APPLICATION. COMPONENT SUBSTITUTION AND PRINTED CIRCUIT BOARD LAYOUT MAY SIGNIFICANTLY AFFECT CIRCUIT PERFORMANCE OR RELIABILITY. CONTACT ANALOG DEVICES APPLICATIONS ENGINEERING FOR ASSISTANCE.		PCB DES.	AN	
		APP ENG.	YC	
THIS CIRCUIT IS PROPRIETARY TO ANALOG DEVICES AND SUPPLIED FOR USE WITH ANALOG DEVICES PARTS.		TITLE: SCHEMATIC HIGH EFFICIENCY, 2:1 MONOLITHIC SWITCHED CAPACITOR CONVERTER		
		IC NO. LTC7825AV SKU NO. DC2993A-A	SCHEMATIC NO. AND REVISION: 710-DC2993A-A REV06	
		SIZE: N/A DATE: Monday, August 08, 2022	SHEET 1 OF 2	



PCA ADDITIONAL PARTS	
PCB1	PCB, DC2993A REV02
<div style="display: flex; justify-content: space-around; align-items: center;"> <div style="text-align: center;"> <p>MP1 STANDOFF</p> </div> <div style="text-align: center;"> <p>MP2 STANDOFF</p> </div> <div style="text-align: center;"> <p>MP3 STANDOFF</p> </div> <div style="text-align: center;"> <p>MP4 STANDOFF</p> </div> </div>	

<h3 style="text-align: center;">CUSTOMER NOTICE</h3> <p>ANALOG DEVICES HAS MADE A BEST EFFORT TO DESIGN A CIRCUIT THAT MEETS CUSTOMER-SUPPLIED SPECIFICATIONS; HOWEVER, IT REMAINS THE CUSTOMER'S RESPONSIBILITY TO VERIFY PROPER AND RELIABLE OPERATION IN THE ACTUAL APPLICATION. COMPONENT SUBSTITUTION AND PRINTED CIRCUIT BOARD LAYOUT MAY SIGNIFICANTLY AFFECT CIRCUIT PERFORMANCE OR RELIABILITY. CONTACT ANALOG DEVICES APPLICATIONS ENGINEERING FOR ASSISTANCE.</p> <p style="text-align: center;">THIS CIRCUIT IS PROPRIETARY TO ANALOG DEVICES AND SUPPLIED FOR USE WITH ANALOG DEVICES PARTS.</p>	<h3>APPROVALS</h3> <table border="1" style="width: 100%; border-collapse: collapse;"> <tr> <td style="width: 50%;">PCB DES.</td> <td>AN</td> </tr> <tr> <td>APP ENG.</td> <td>YC</td> </tr> <tr> <td> </td> <td> </td> </tr> <tr> <td> </td> <td> </td> </tr> <tr> <td> </td> <td> </td> </tr> </table>		PCB DES.	AN	APP ENG.	YC							
	PCB DES.	AN											
	APP ENG.	YC											
<b>TITLE: SCHEMATIC</b> <b>HIGH EFFICIENCY, 2:1 MONOLITHIC SWITCHED CAPACITOR CONVERTER</b>													
<b>IC NO. LTC7825AV</b> <b>SKU NO. DC2993A-A</b>		<b>SCHEMATIC NO. AND REVISION:</b> <b>710-DC2993A-A REV06</b>											
<b>SIZE: N/A</b>	<b>DATE: Monday, August 08, 2022</b>	<b>SHEET 2 OF 2</b>											