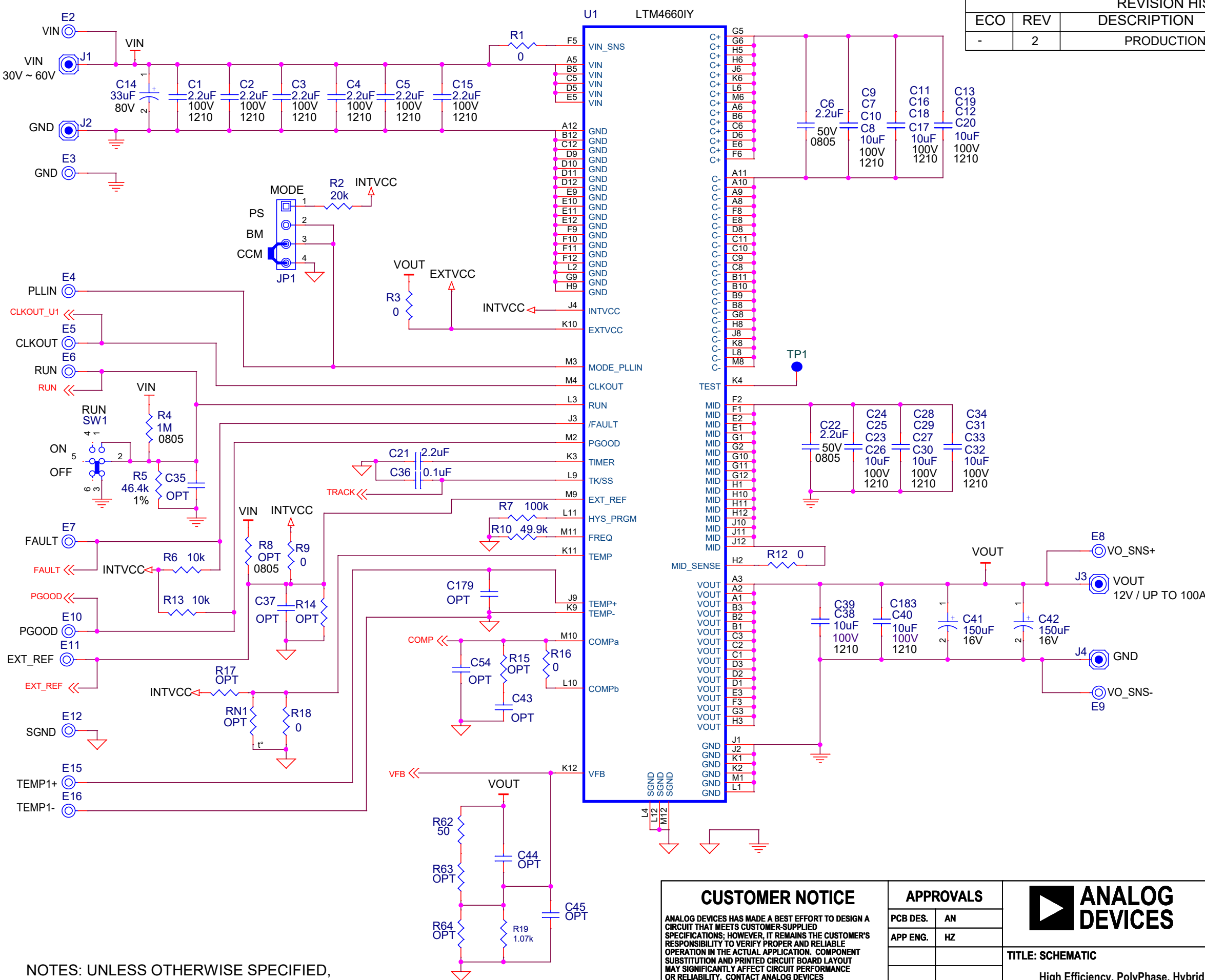


REVISION HISTORY

ECO	REV	DESCRIPTION	DATE	APPROVED
-	2	PRODUCTION	02/9/23	HZ



NOTES: UNLESS OTHERWISE SPECIFIED,
1. CAPACITORS AND RESISTORS ARE 0603.

CUSTOMER NOTICE

ANALOG DEVICES HAS MADE A BEST EFFORT TO DESIGN A CIRCUIT THAT MEETS CUSTOMER-SUPPLIED SPECIFICATIONS; HOWEVER, IT REMAINS THE CUSTOMER'S RESPONSIBILITY TO VERIFY PROPER AND RELIABLE OPERATION IN THE ACTUAL APPLICATION. COMPONENT SUBSTITUTION AND PRINTED CIRCUIT BOARD LAYOUT MAY SIGNIFICANTLY AFFECT CIRCUIT PERFORMANCE OR RELIABILITY. CONTACT ANALOG DEVICES APPLICATIONS ENGINEERING FOR ASSISTANCE.

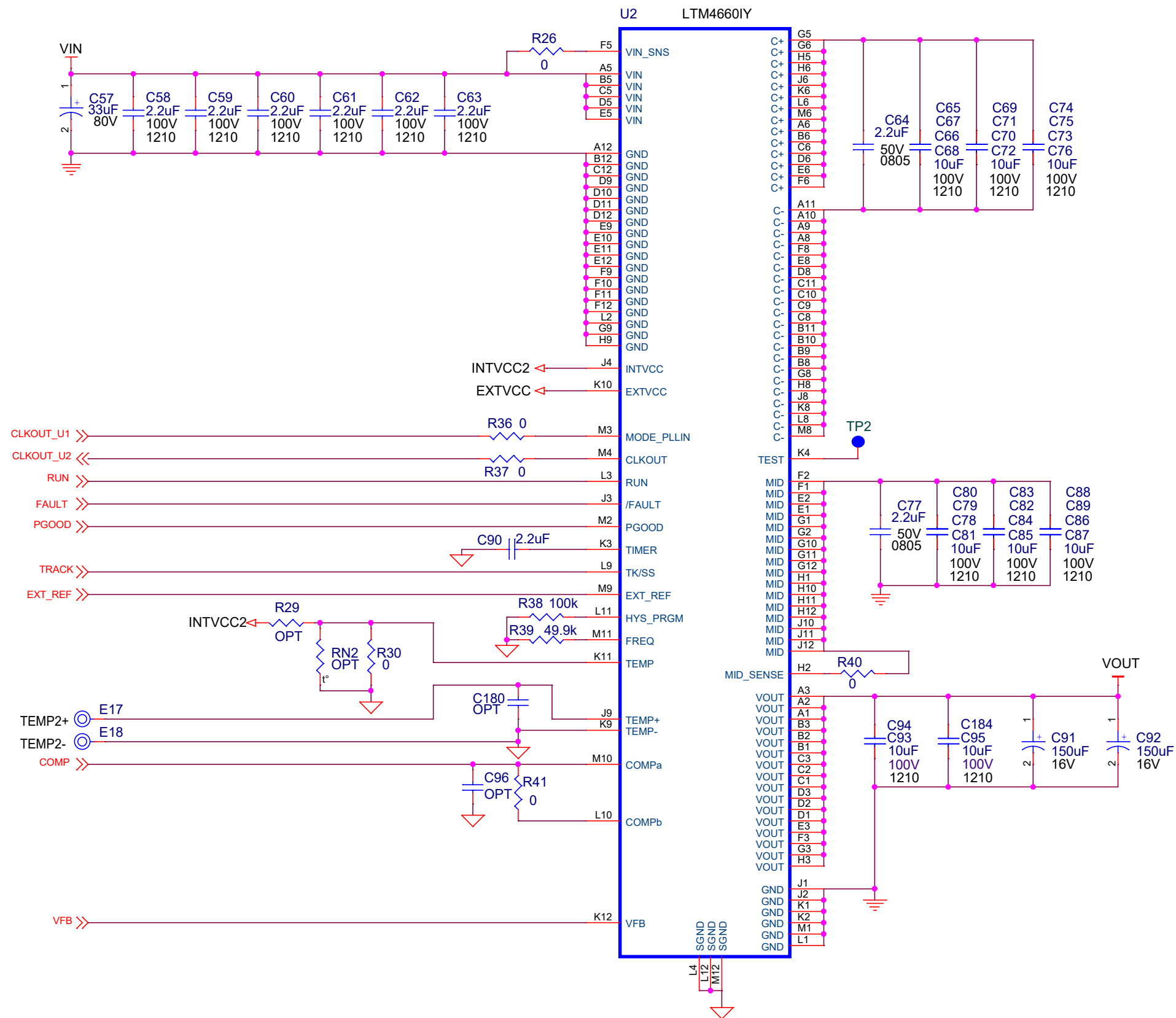
THIS CIRCUIT IS PROPRIETARY TO ANALOG DEVICES AND SUPPLIED FOR USE WITH ANALOG DEVICES PARTS.

APPROVALS

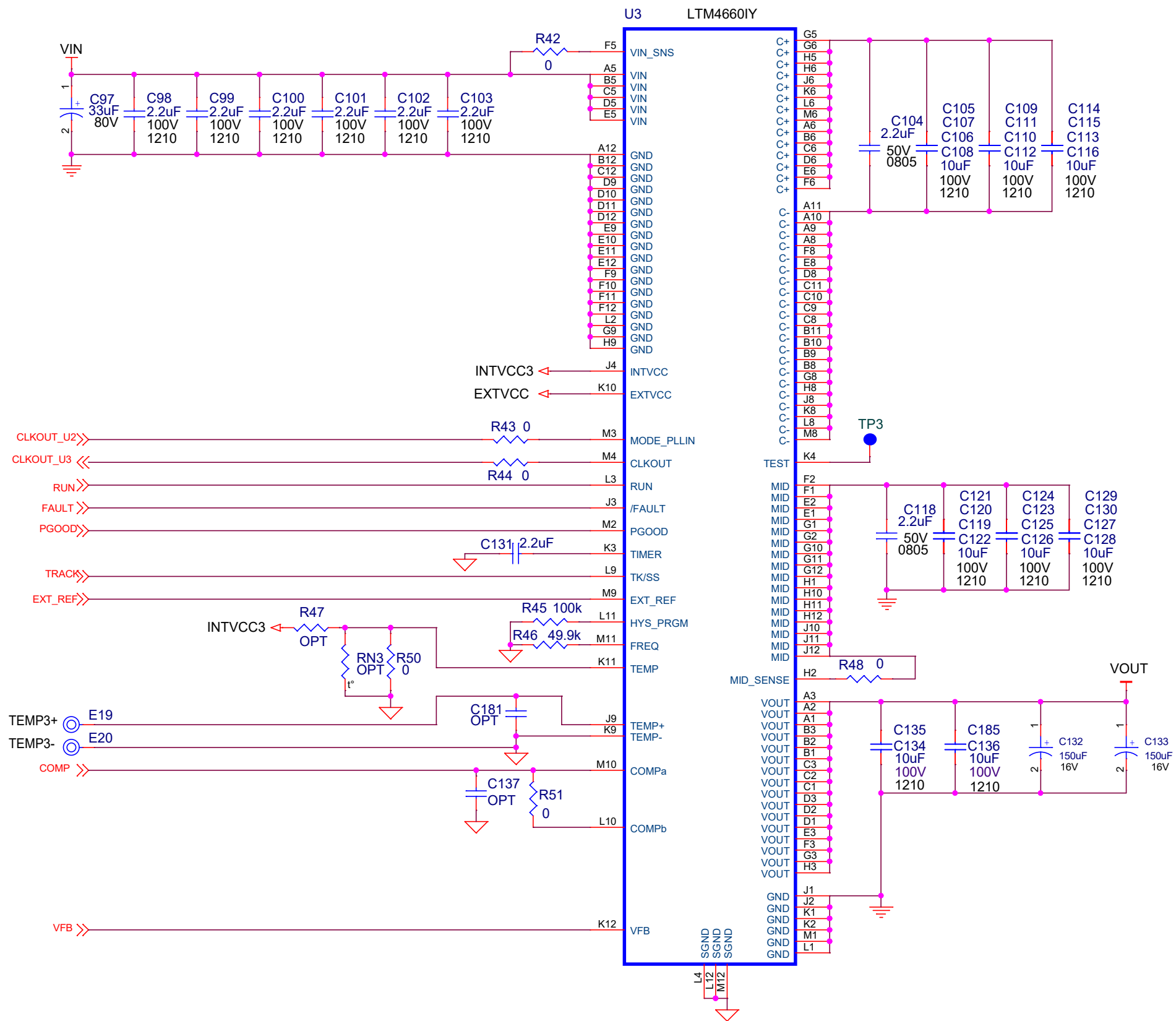
PCB DES.	AN
APP ENG.	HZ



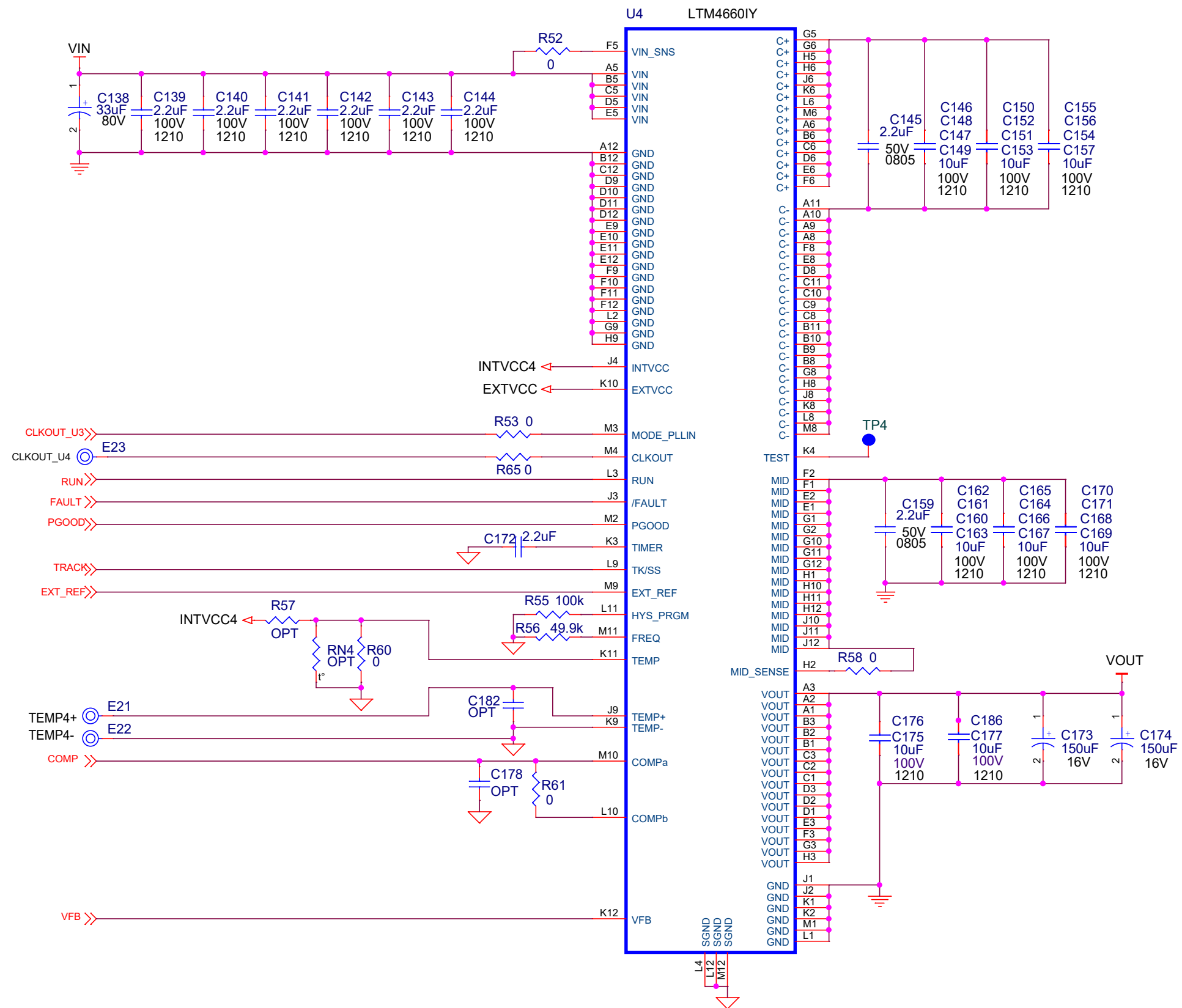
TITLE: SCHEMATIC	
High Efficiency, PolyPhase, Hybrid Step-down μ Module Bus Converter	
IC NO. LTM4660IY	SCHMATIC NO. AND REVISION:
SKU NO. DC2959A	710-DC2959A(A,B,C)_REV02
SIZE: N/A	DATE: Thursday, February 09, 2023
	SHEET 1 OF 6



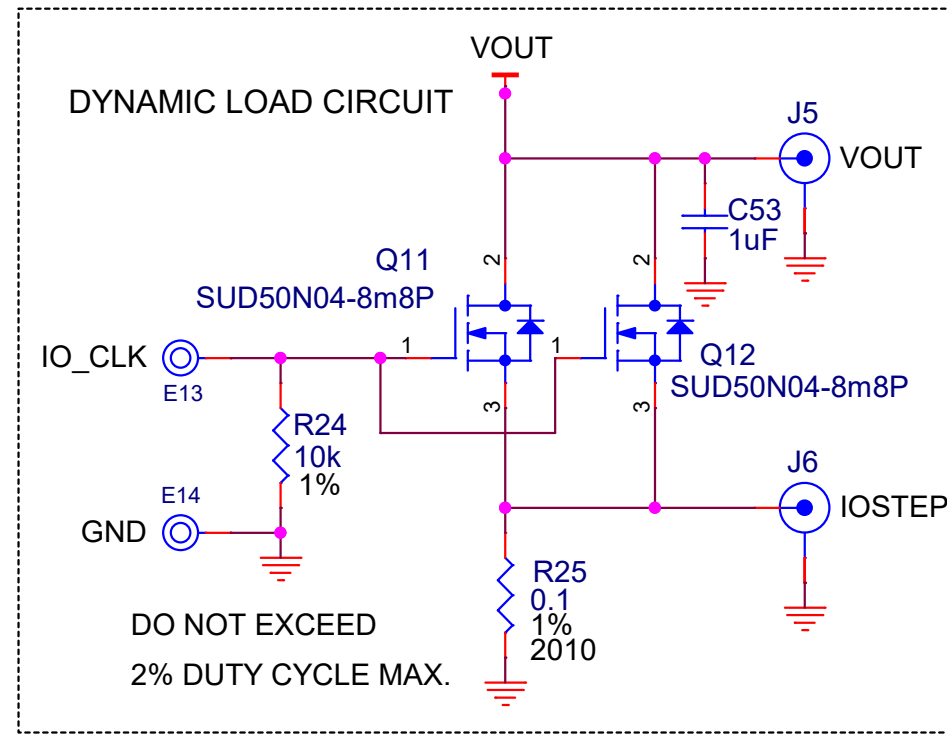
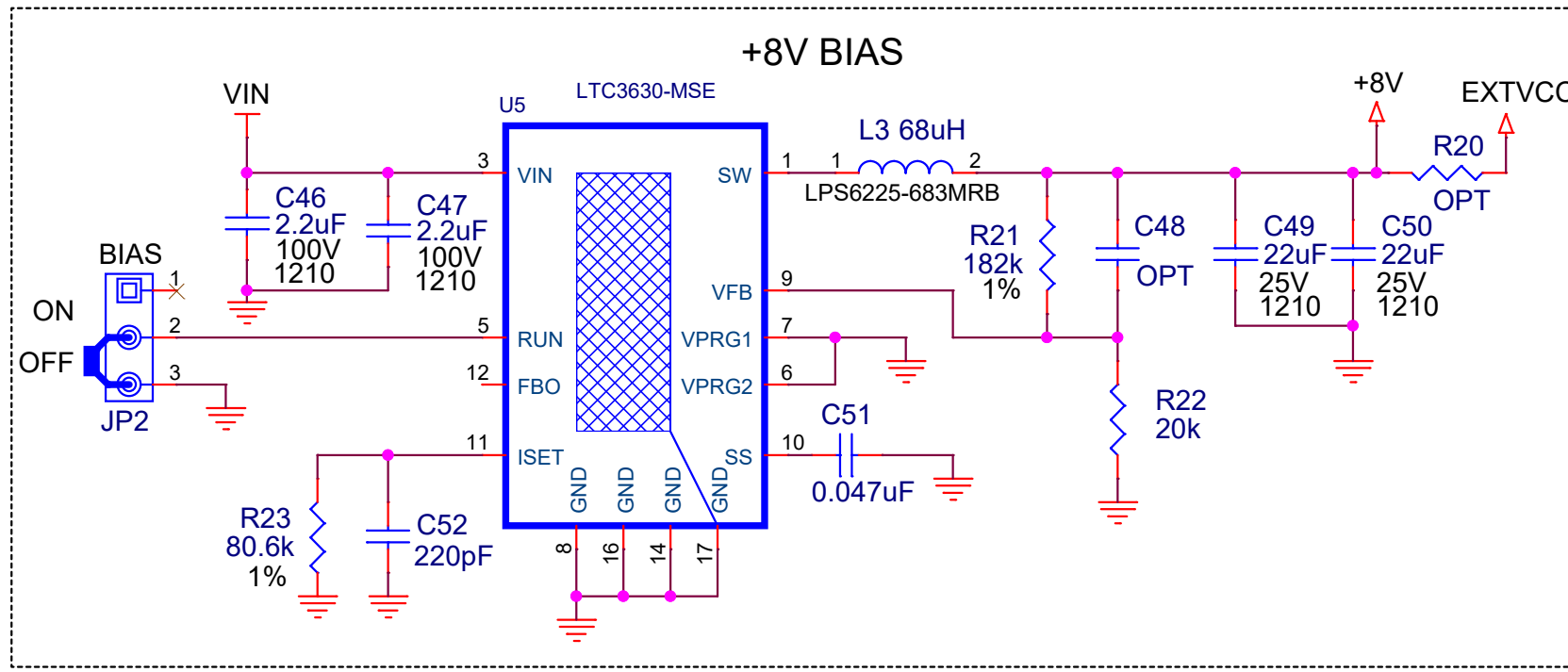
CUSTOMER NOTICE		APPROVALS		ANALOG DEVICES
<p>ANALOG DEVICES HAS MADE A BEST EFFORT TO DESIGN A CIRCUIT THAT MEETS CUSTOMER-SUPPLIED SPECIFICATIONS; HOWEVER, IT REMAINS THE CUSTOMER'S RESPONSIBILITY TO VERIFY PROPER AND RELIABLE OPERATION IN THE ACTUAL APPLICATION. COMPONENT SUBSTITUTION AND PRINTED CIRCUIT BOARD LAYOUT MAY SIGNIFICANTLY AFFECT CIRCUIT PERFORMANCE OR RELIABILITY. CONTACT ANALOG DEVICES APPLICATIONS ENGINEERING FOR ASSISTANCE.</p> <p>THIS CIRCUIT IS PROPRIETARY TO ANALOG DEVICES AND SUPPLIED FOR USE WITH ANALOG DEVICES PARTS.</p>		PCB DES.	AN	
		APP ENG.	HZ	
		TITLE: SCHEMATIC		
		High Efficiency, PolyPhase, Hybrid Step-down μ Module Bus Converter		
IC NO. LTM4660IY		SCHEMATIC NO. AND REVISION:		
SKU NO. DC2959A		710-DC2959A(A,B,C)_REV02		
SIZE: N/A	DATE: Thursday, February 09, 2023	SHEET 2 OF 6		



CUSTOMER NOTICE		APPROVALS		ANALOG DEVICES	
<p>ANALOG DEVICES HAS MADE A BEST EFFORT TO DESIGN A CIRCUIT THAT MEETS CUSTOMER-SUPPLIED SPECIFICATIONS; HOWEVER, IT REMAINS THE CUSTOMER'S RESPONSIBILITY TO VERIFY PROPER AND RELIABLE OPERATION IN THE ACTUAL APPLICATION. COMPONENT SUBSTITUTION AND PRINTED CIRCUIT BOARD LAYOUT MAY SIGNIFICANTLY AFFECT CIRCUIT PERFORMANCE OR RELIABILITY. CONTACT ANALOG DEVICES APPLICATIONS ENGINEERING FOR ASSISTANCE.</p> <p>THIS CIRCUIT IS PROPRIETARY TO ANALOG DEVICES AND SUPPLIED FOR USE WITH ANALOG DEVICES PARTS.</p>		PCB DES.	AN		TITLE: SCHEMATIC High Efficiency, PolyPhase, Hybrid Step-down μ Module Bus Converter
		APP ENG.	HZ	IC NO. LTM4660IY SKU NO. DC2959A	
				SCHEMATIC NO. AND REVISION: 710-DC2959A(A,B,C)_REV02	
				SIZE: N/A DATE: Thursday, February 09, 2023	SHEET 3 OF 6



<p>CUSTOMER NOTICE</p> <p>ANALOG DEVICES HAS MADE A BEST EFFORT TO DESIGN A CIRCUIT THAT MEETS CUSTOMER-SUPPLIED SPECIFICATIONS; HOWEVER, IT REMAINS THE CUSTOMER'S RESPONSIBILITY TO VERIFY PROPER AND RELIABLE OPERATION IN THE ACTUAL APPLICATION. COMPONENT SUBSTITUTION AND PRINTED CIRCUIT BOARD LAYOUT MAY SIGNIFICANTLY AFFECT CIRCUIT PERFORMANCE OR RELIABILITY. CONTACT ANALOG DEVICES APPLICATIONS ENGINEERING FOR ASSISTANCE.</p>	<p>APPROVALS</p>		
	PCB DES.	AN	
<p>THIS CIRCUIT IS PROPRIETARY TO ANALOG DEVICES AND SUPPLIED FOR USE WITH ANALOG DEVICES PARTS.</p>	APP ENG.	HZ	<p>IC NO. LTM4660IY</p> <p>SKU NO. DC2959A</p>
			<p>SCHEMATIC NO. AND REVISION:</p> <p>710-DC2959A(A,B,C)_REV02</p>
	SIZE: N/A	DATE: Thursday, February 09, 2023	SHEET 4 OF 6



**

VERSION	IOUT	U3	U4	C134,C135C136,C185	C175,C176,C177,C186	C132,C133	C173,C174	C105-C116, C119-C130	C146-C157, C160-C171	R19
- A	50A	OPT	OPT	OPT	OPT	OPT	OPT	OPT	OPT	2.15K
- B	75A	LTM4660	OPT	10uF	OPT	150uF	OPT	10uF	OPT	1.43K
- C	100A	LTM4660	LTM4660	10uF	10uF	150uF	150uF	10uF	10uF	1.07K

CUSTOMER NOTICE

ANALOG DEVICES HAS MADE A BEST EFFORT TO DESIGN A CIRCUIT THAT MEETS CUSTOMER-SUPPLIED SPECIFICATIONS; HOWEVER, IT REMAINS THE CUSTOMER'S RESPONSIBILITY TO VERIFY PROPER AND RELIABLE OPERATION IN THE ACTUAL APPLICATION. COMPONENT SUBSTITUTION AND PRINTED CIRCUIT BOARD LAYOUT MAY SIGNIFICANTLY AFFECT CIRCUIT PERFORMANCE OR RELIABILITY. CONTACT ANALOG DEVICES APPLICATIONS ENGINEERING FOR ASSISTANCE.

THIS CIRCUIT IS PROPRIETARY TO ANALOG DEVICES AND SUPPLIED FOR USE WITH ANALOG DEVICES PARTS.

APPROVALS

PCB DES.	AN
APP ENG.	HZ



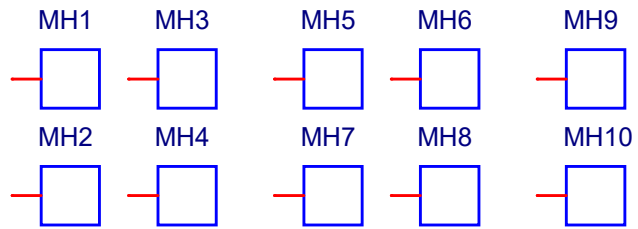
TITLE: SCHEMATIC

High Efficiency, PolyPhase, Hybrid Step-down μ Module Bus Converter

IC NO. LTM4660IY
SKU NO. DC2959A

SCHEMATIC NO. AND REVISION:
710-DC2959A(A,B,C)_REV02

SIZE: N/A DATE: Thursday, February 09, 2023 SHEET 5 OF 6



STANDOFFS

LB1 LABEL

STNCL1 TOOL, STENCIL, DC2959A

REV02

PCB1 PCB, DC2959A REV02

CUSTOMER NOTICE

ANALOG DEVICES HAS MADE A BEST EFFORT TO DESIGN A CIRCUIT THAT MEETS CUSTOMER-SUPPLIED SPECIFICATIONS; HOWEVER, IT REMAINS THE CUSTOMER'S RESPONSIBILITY TO VERIFY PROPER AND RELIABLE OPERATION IN THE ACTUAL APPLICATION. COMPONENT SUBSTITUTION AND PRINTED CIRCUIT BOARD LAYOUT MAY SIGNIFICANTLY AFFECT CIRCUIT PERFORMANCE OR RELIABILITY. CONTACT ANALOG DEVICES APPLICATIONS ENGINEERING FOR ASSISTANCE.

THIS CIRCUIT IS PROPRIETARY TO ANALOG DEVICES AND SUPPLIED FOR USE WITH ANALOG DEVICES PARTS.

APPROVALS

PCB DES.	AN
APP ENG.	HZ



TITLE: SCHEMATIC

High Efficiency, PolyPhase, Hybrid Step-down μ Module Bus Converter

IC NO. LTM4660IY
SKU NO. DC2959A

SCHEMATIC NO. AND REVISION:
710-DC2959A(A,B,C)_REV02

SIZE: N/A DATE: Thursday, February 09, 2023 SHEET 6 OF 6