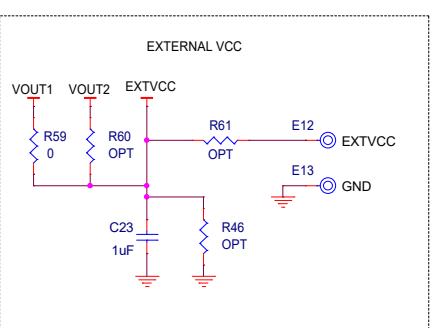
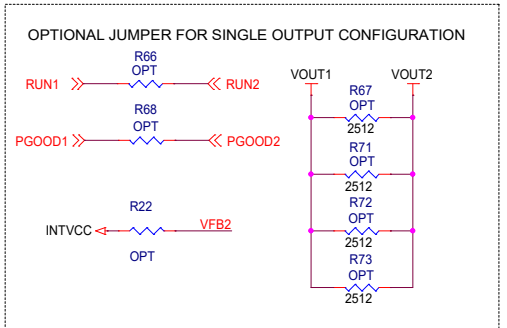
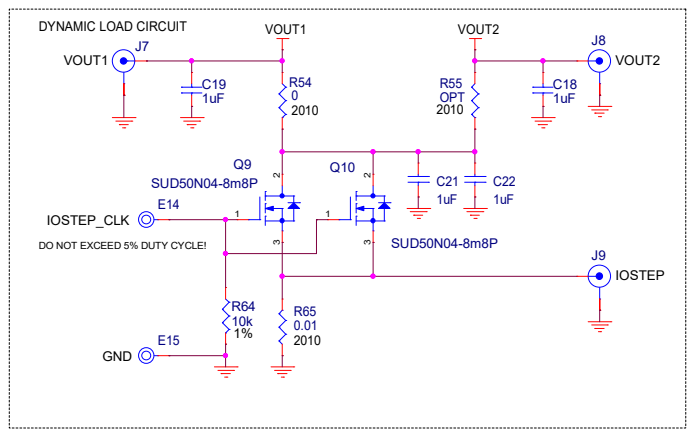
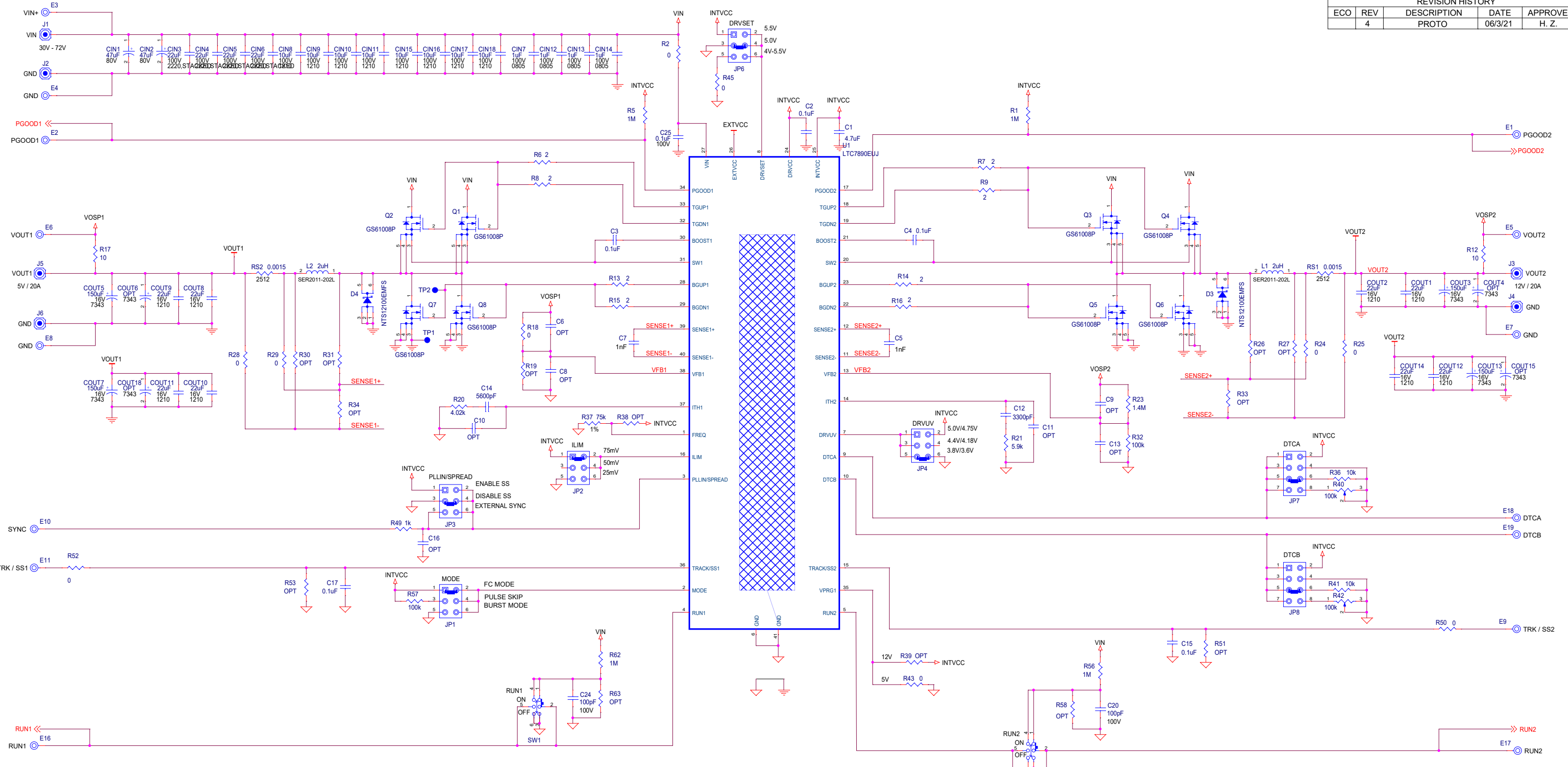


REVISION HISTORY				
ECO	REV	DESCRIPTION	DATE	APPROVED
	4	PROTO	06/3/21	H. Z.



**CUSTOMER NOTICE**  
 ANALOG DEVICES HAS MADE A BEST EFFORT TO DESIGN A CIRCUIT THAT MEETS CUSTOMER-SUPPLIED SPECIFICATIONS; HOWEVER, IT REMAINS THE CUSTOMER'S RESPONSIBILITY TO VERIFY PROPER AND RELIABLE OPERATION IN THE ACTUAL APPLICATION. COMPONENT SUBSTITUTION AND PRINTED CIRCUIT BOARD LAYOUT MAY SIGNIFICANTLY AFFECT CIRCUIT PERFORMANCE OR RELIABILITY. CONTACT ANALOG DEVICES APPLICATIONS ENGINEERING FOR ASSISTANCE.

APPROVALS	
PCB DES.	A N
APP ENG.	S G

<b>TITLE: SCHEMATIC</b> HIGH FREQUENCY, DUAL OUTPUT, SYNCHRONOUS BUCK CONTROLLER with GaN FET	
<b>IC NO.</b> LTC7890EUJ <b>SKU NO.</b> DC2938A	<b>SCHEMATIC NO. AND REVISION:</b> 710-DC2938A_REV03
<b>SIZE:</b> NONE <b>DATE:</b> Thursday, June 03, 2021	<b>SHEET</b> 1 <b>OF</b> 1