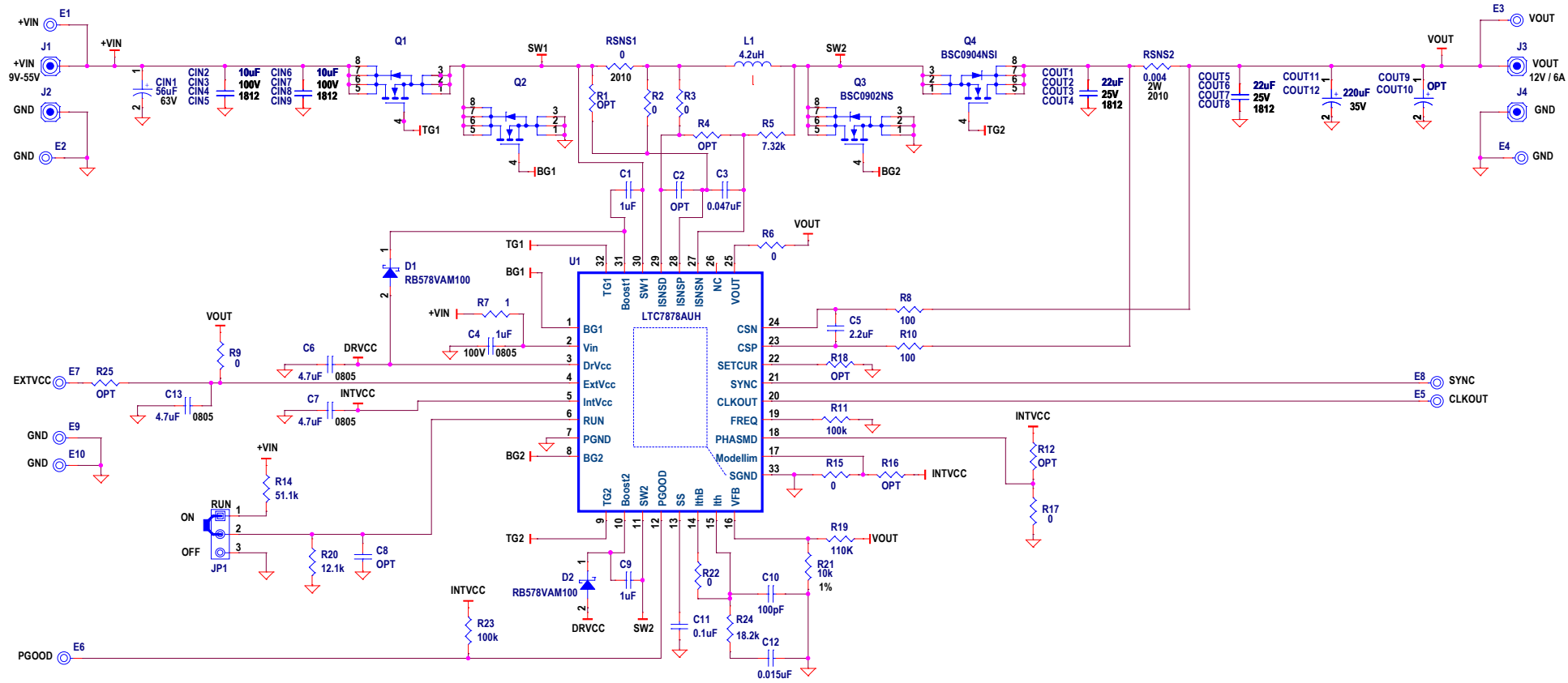


REVISION HISTORY				
ECO	REV	DESCRIPTION	APPROVED	DATE
	06	PROTOTYPE	GP	10-06-22



NOTES:
1. ALL CAPACITORS AND RESISTORS ARE 0603

CUSTOMER NOTICE		APPROVALS		ANALOG DEVICES
ANALOG DEVICES HAS MADE A BEST EFFORT TO DESIGN A CIRCUIT THAT MEETS CUSTOMER-SUPPLIED SPECIFICATIONS; HOWEVER, IT REMAINS THE CUSTOMER'S RESPONSIBILITY TO VERIFY PROPER AND RELIABLE OPERATION IN THE ACTUAL APPLICATION. COMPONENT SUBSTITUTION AND PRINTED CIRCUIT BOARD LAYOUT MAY SIGNIFICANTLY AFFECT CIRCUIT PERFORMANCE OR RELIABILITY. CONTACT ANALOG DEVICES APPLICATIONS ENGINEERING FOR ASSISTANCE.		PCB DES.	LT	
		APP ENG.	GORAN P.	
TITLE: SCHEMATIC				
HIGH EFFICIENCY BUCK-BOOST CONVERTER				
IC NO. LTC7878AUH		SCHEMATIC NO. AND REVISION:		
SKU NO. DC2931A		710-DC2931A_REV06		
SIZE: N/A	DATE: Friday, December 02, 2022	SHEET 1 OF 1		

THIS CIRCUIT IS PROPRIETARY TO ANALOG DEVICES AND SUPPLIED FOR USE WITH ANALOG DEVICES PARTS.