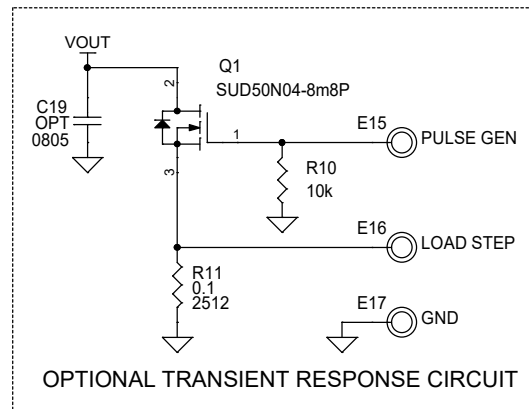


* SEE DEMO MANUAL



NOTES: UNLESS OTHERWISE SPECIFIED

- 1. ALL RESISTORS ARE 0603.
- ALL CAPACITORS ARE 0603.

| | | | |
|--|------------------|--|---------------------|
| <p>CUSTOMER NOTICE</p> <p><small>ANALOG DEVICES HAS MADE A BEST EFFORT TO DESIGN A CIRCUIT THAT MEETS CUSTOMER-SUPPLIED SPECIFICATIONS; HOWEVER, IT REMAINS THE CUSTOMER'S RESPONSIBILITY TO VERIFY PROPER AND RELIABLE OPERATION IN THE ACTUAL APPLICATION. COMPONENT SUBSTITUTION AND PRINTED CIRCUIT BOARD LAYOUT MAY SIGNIFICANTLY AFFECT CIRCUIT PERFORMANCE OR RELIABILITY. CONTACT ANALOG DEVICES APPLICATIONS ENGINEERING FOR ASSISTANCE.</small></p> | | | |
| <p>TITLE: SCHEMATIC</p> <p>42V, 10A SYNCHRONOUS STEP-DOWN SILENT SWITCHER 2</p> | | | |
| <p>IC NO. LT8638SEV</p> <p>SKU NO. DC2929A</p> | | <p>SCHEMATIC NO. AND REVISION:</p> <p>710-DC2929A_REV02</p> | |
| <p>THIS CIRCUIT IS PROPRIETARY TO ANALOG DEVICES AND SUPPLIED FOR USE WITH ANALOG DEVICES PARTS.</p> | <p>SIZE: N/A</p> | <p>DATE: Friday, September 28, 2001</p> | <p>SHEET 1 OF 1</p> |