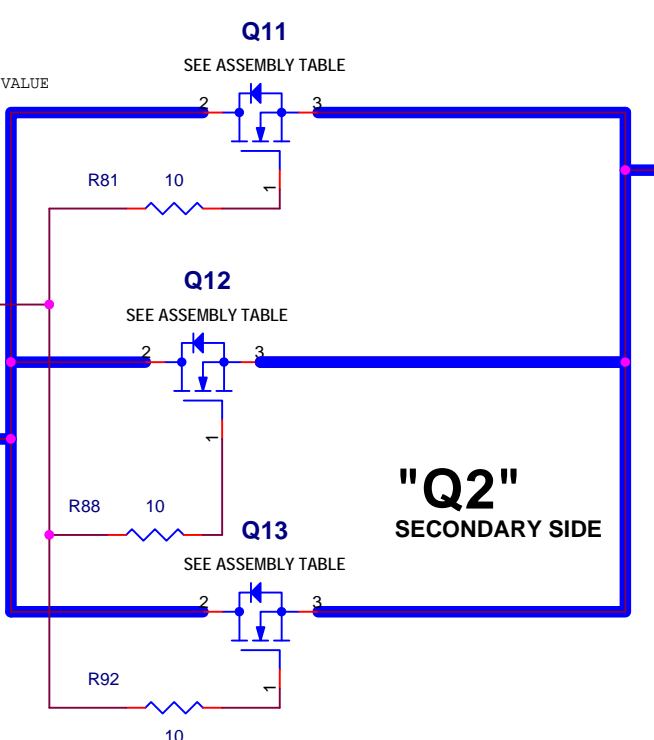
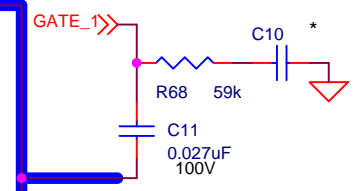
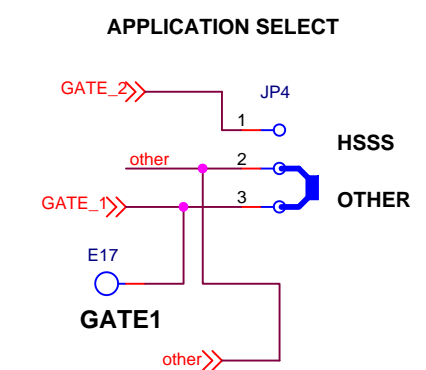
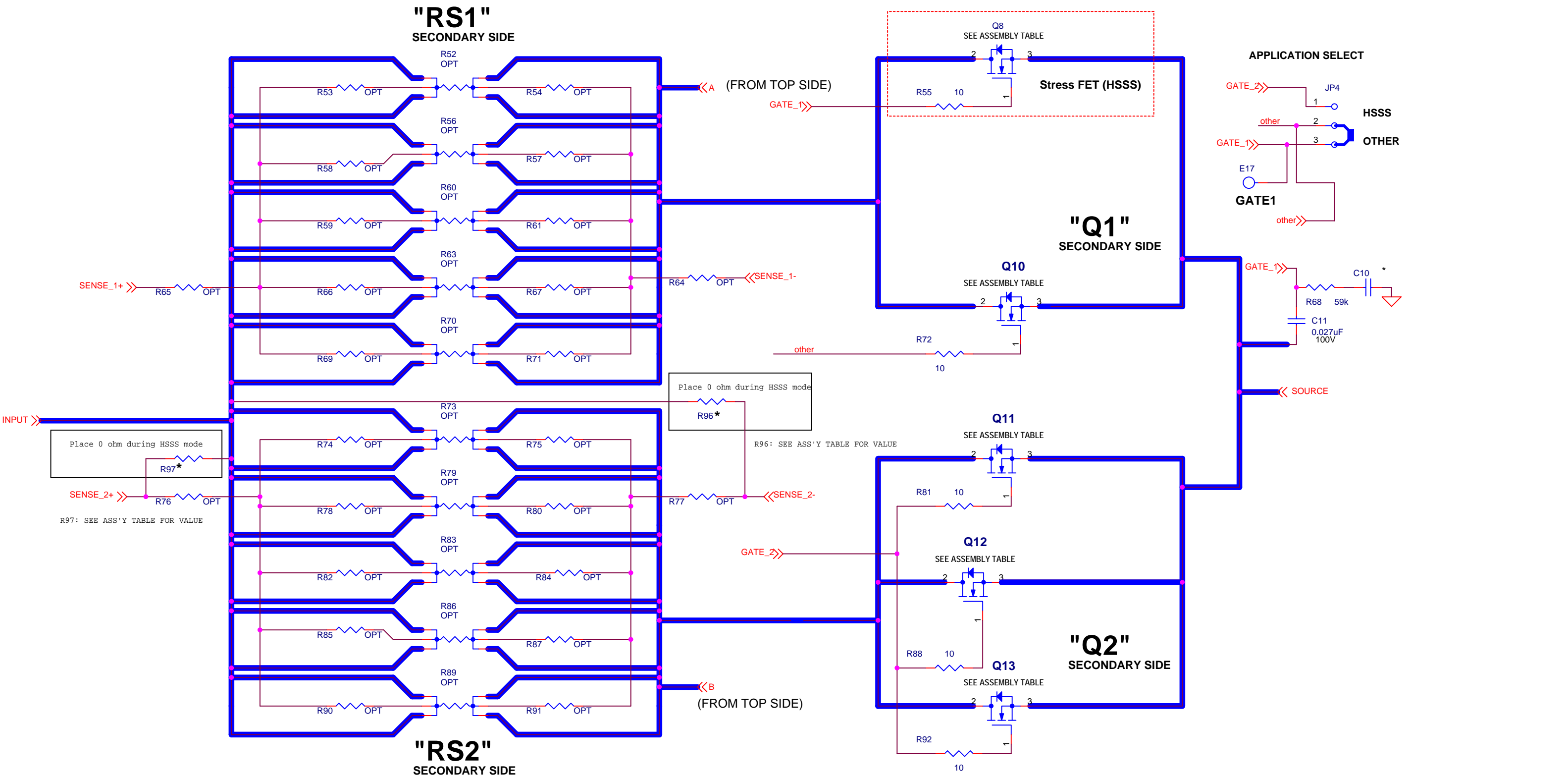


SEE ASSEMBLY TABLE ON PAGE 4 FOR PARTS DENOTED BY ASTERISK \*

<b>CUSTOMER NOTICE</b> ANALOG DEVICES HAS MADE A BEST EFFORT TO DESIGN A CIRCUIT THAT MEETS CUSTOMER-SUPPLIED SPECIFICATIONS; HOWEVER, IT REMAINS THE CUSTOMER'S RESPONSIBILITY TO VERIFY PROPER AND RELIABLE OPERATION IN THE ACTUAL APPLICATION. COMPONENT SUBSTITUTION AND PRINTED CIRCUIT BOARD LAYOUT MAY SIGNIFICANTLY AFFECT CIRCUIT PERFORMANCE OR RELIABILITY. CONTACT ANALOG DEVICES APPLICATIONS ENGINEERING FOR ASSISTANCE.	<b>APPROVALS</b> PCB DES. MH APP ENG. RITESH L.		 www.analog.com Phone: (408)432-1900
	THIS CIRCUIT IS PROPRIETARY TO ANALOG DEVICES AND SUPPLIED FOR USE WITH ANALOG DEVICES PARTS.		
	IC NO. LTC4238 SKU NO. DC2914A-(A,B,C)	SCHEMATIC NO. AND REVISION: <b>710-DC2914A_REV06</b>	
	SIZE: N/A DATE: 03/02/2020	SHEET 2 OF 4	



Place 0 ohm during HSSS mode  
R96\*

Place 0 ohm during HSSS mode  
R97\*  
R97: SEE ASS'Y TABLE FOR VALUE

**— =HIGH CURRENT CONNECTIONS**

SEE ASSEMBLY TABLE ON PAGE 4 FOR PARTS DENOTED BY ASTERISK \*

<b>CUSTOMER NOTICE</b> ANALOG DEVICES HAS MADE A BEST EFFORT TO DESIGN A CIRCUIT THAT MEETS CUSTOMER-SUPPLIED SPECIFICATIONS; HOWEVER, IT REMAINS THE CUSTOMER'S RESPONSIBILITY TO VERIFY PROPER AND RELIABLE OPERATION IN THE ACTUAL APPLICATION. COMPONENT SUBSTITUTION AND PRINTED CIRCUIT BOARD LAYOUT MAY SIGNIFICANTLY AFFECT CIRCUIT PERFORMANCE OR RELIABILITY. CONTACT ANALOG DEVICES APPLICATIONS ENGINEERING FOR ASSISTANCE.	<b>APPROVALS</b> PCB DES. MH APP ENG. RITESH L.		 www.analog.com Phone: (408)432-1900
	THIS CIRCUIT IS PROPRIETARY TO ANALOG DEVICES AND SUPPLIED FOR USE WITH ANALOG DEVICES PARTS.		
	IC NO. LTC4238 SKU NO. DC2914A-(A,B,C)	SCHEMATIC NO. AND REVISION: <b>710-DC2914A_REV06</b>	
	SIZE: N/A DATE: 03/02/2020	SHEET 3 OF 4	

## ASSEMBLY TABLE



	ASSEMBLY (-A)	ASSEMBLY (-B)	ASSEMBLY (-C)
C6 (COG,50V,5%,0603)	4300pF	180pF	2700pF
C7 (X7R,16V,10%,0603)	0.33uF	1.5uF (10V)	0.33uF
C9 (X7R,100V,10%,1206)	0.015uF	NO STUFF	NO STUFF
C10 (X7R,100V,10%,1206)	0.015uF	NO STUFF	0.022uF
C12 (X7R,16V,5%,0603)	NO STUFF	NO STUFF	0.022uF
C13 (X7R,16V,5%,0603)	NO STUFF	NO STUFF	0.27uF
R11 (1%,1/10W, 0603)	0 Ohm	59k	59k
R14 (1%,1/10W, 0603)	NO STUFF	44.2k	44.2k
Q2	NO STUFF	IPT015N10N5	NO STUFF
Q3	PSMN3R7-100BSE	NO STUFF	IPT015N10N5
Q4	PSMN3R7-100BSE	IPT015N10N5	IPT015N10N5
Q5	PSMN3R7-100BSE	NO STUFF	NO STUFF
Q6	PSMN3R7-100BSE	PSMN7R6-100BSE	NO STUFF
Q7	NO STUFF	NO STUFF	NO STUFF
Q8	NO STUFF	NO STUFF	PSMN3R7-100BSE
Q10	NO STUFF	NO STUFF	NO STUFF
Q11	NO STUFF	NO STUFF	NO STUFF
Q12	NO STUFF	NO STUFF	NO STUFF
Q13	NO STUFF	NO STUFF	NO STUFF
R15,R19,R24,R26,R31 (1%,2W,2512)	4mOhm	1mOhm	1mOhm
R34,R37,R44,R48 (1%,2W,2512)	4mOhm	NO STUFF	NO STUFF
R41 (1%,2W,2512)	4mOhm	4mOhm	NO STUFF
R93 (1%,1/10W, 0603)	NO STUFF	NO STUFF	4.75k
R94 (1%,1/10W, 0603)	NO STUFF	NO STUFF	60.4k
R95 (1%,1/10W, 0603)	NO STUFF	NO STUFF	1M
R96,R97 (1/16W, 0402)	NO STUFF	NO STUFF	0 Ohm

## ADDITIONAL PCA HARDWARE

MP1	WASHER,FLAT,1/4",SS
MP2	WASHER,FLAT,1/4",SS
MP3	WASHER,FLAT,1/4",SS
MP4	WASHER,FLAT,1/4",SS
MP5	WASHER,SPLIT,1/4",SS
MP6	WASHER,SPLIT,1/4",SS
MP7	NUT,HEX,1/4-28,SS
MP8	NUT,HEX,1/4-28,SS
MP9	SCREW,1/4"-28,3/4",CAP
MP10	SCREW,1/4"-28,3/4",CAP
MP11	STANDOFF,NYLON,SNAP-ON,0.50"
MP12	STANDOFF,NYLON,SNAP-ON,0.50"
MP13	STANDOFF,NYLON,SNAP-ON,0.50"
MP14	STANDOFF,NYLON,SNAP-ON,0.50"
PCB1	PCB, DC2914A REV02
STNCL1	TOOL, STENCIL, 700-DC2914A REV02
LB1	LABEL, SERIAL. NO.

## SHUNT POSITIONS

JUMPER NAME	ASSEMBLY (-A)	ASSEMBLY (-B)	ASSEMBLY (-C)
CONFIG 1	INTVcc	INTVcc	INTVcc
CONFIG 2	INTVcc	Z	GND
AUTO RETRY	DISABLE	DISABLE	DISABLE
APPLICATION SELECT	OTHER	OTHER	HSSS

CUSTOMER NOTICE	APPROVALS		  www.analog.com Phone: (408)432-1900	
	ANALOG DEVICES HAS MADE A BEST EFFORT TO DESIGN A CIRCUIT THAT MEETS CUSTOMER-SUPPLIED SPECIFICATIONS; HOWEVER, IT REMAINS THE CUSTOMER'S RESPONSIBILITY TO VERIFY PROPER AND RELIABLE OPERATION IN THE ACTUAL APPLICATION. COMPONENT SUBSTITUTION AND PRINTED CIRCUIT BOARD LAYOUT MAY SIGNIFICANTLY AFFECT CIRCUIT PERFORMANCE OR RELIABILITY. CONTACT ANALOG DEVICES APPLICATIONS ENGINEERING FOR ASSISTANCE.	PCB DES.		MH
APP ENG.		RITESH L.	IC NO. LTC4238 SKU NO. DC2914A-(A,B,C)	
THIS CIRCUIT IS PROPRIETARY TO ANALOG DEVICES AND SUPPLIED FOR USE WITH ANALOG DEVICES PARTS.			SCHEMATIC NO. AND REVISION: <b>710-DC2914A_REV06</b>	
		SIZE: N/A DATE: 03/02/2020	SHEET 4 OF 4	