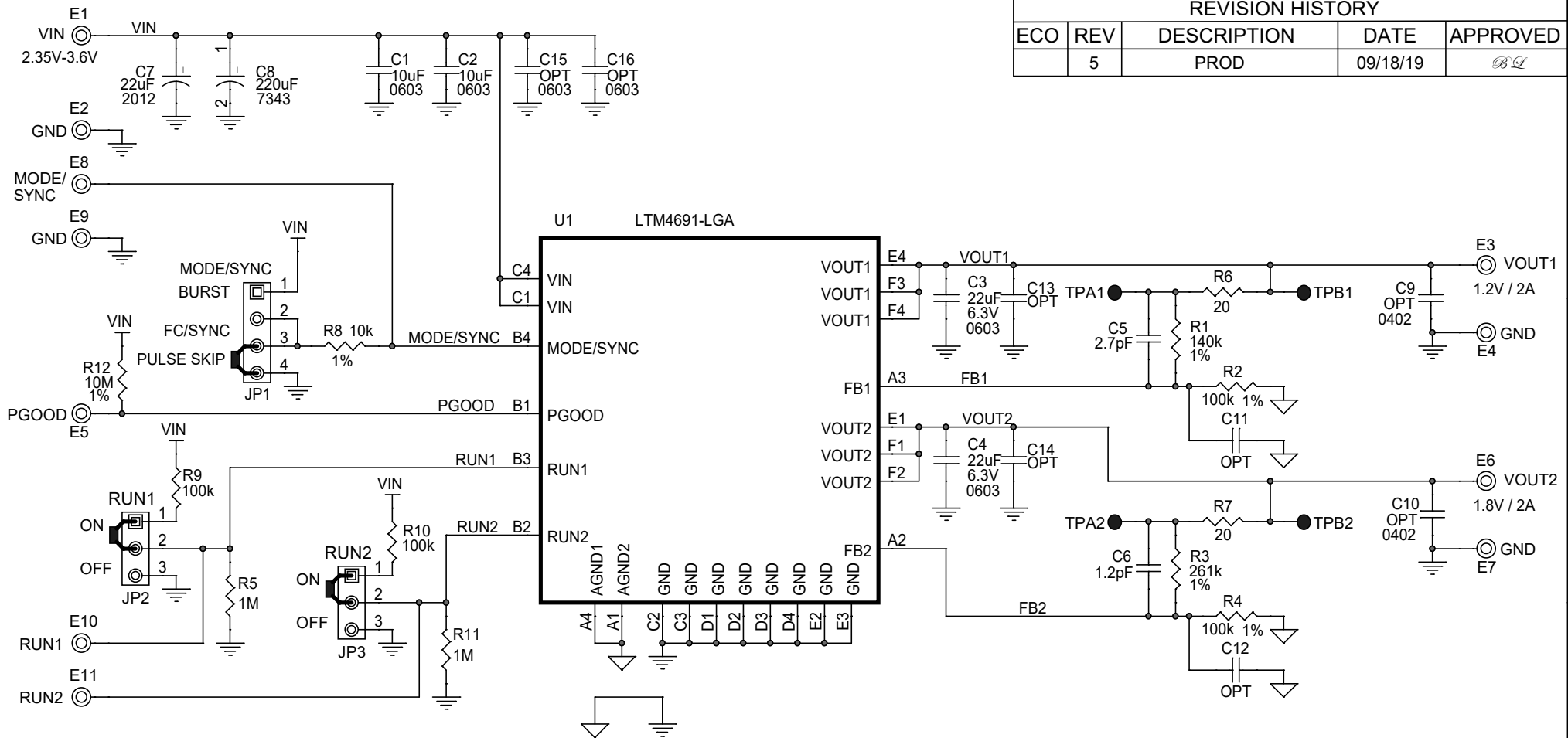


REVISION HISTORY				
ECO	REV	DESCRIPTION	DATE	APPROVED
	5	PROD	09/18/19	<i>BL</i>





NOTE: UNLESS OTHERWISE SPECIFIED
 1. ALL RESISTORS AND CAPACITORS ARE 0402.

CUSTOMER NOTICE
 ANALOG DEVICES HAS MADE A BEST EFFORT TO DESIGN A CIRCUIT THAT MEETS CUSTOMER-SUPPLIED SPECIFICATIONS; HOWEVER, IT REMAINS THE CUSTOMER'S RESPONSIBILITY TO VERIFY PROPER AND RELIABLE OPERATION IN THE ACTUAL APPLICATION. COMPONENT SUBSTITUTION AND PRINTED CIRCUIT BOARD LAYOUT MAY SIGNIFICANTLY AFFECT CIRCUIT PERFORMANCE OR RELIABILITY. CONTACT ANALOG DEVICES APPLICATIONS ENGINEERING FOR ASSISTANCE.

THIS CIRCUIT IS PROPRIETARY TO ANALOG DEVICES AND SUPPLIED FOR USE WITH ANALOG DEVICES PARTS.

APPROVALS	
PCB DES.	<i>MS</i>
APP ENG.	<i>BL</i>





www.analog.com Phone: (408)432-1900

TITLE: SCHEMATIC
DUAL 2A STEP-DOWN DC/DC μMODULE ®REGULATOR

IC NO. LTM4691EY	SCHEMATIC NO. AND REVISION: 710-DC2910A_REV05
SKU NO. DC2910A	

SIZE: N/A	DATE: Tuesday, February 18, 2020	SHEET 1 OF 1
------------------	---	----------------------------