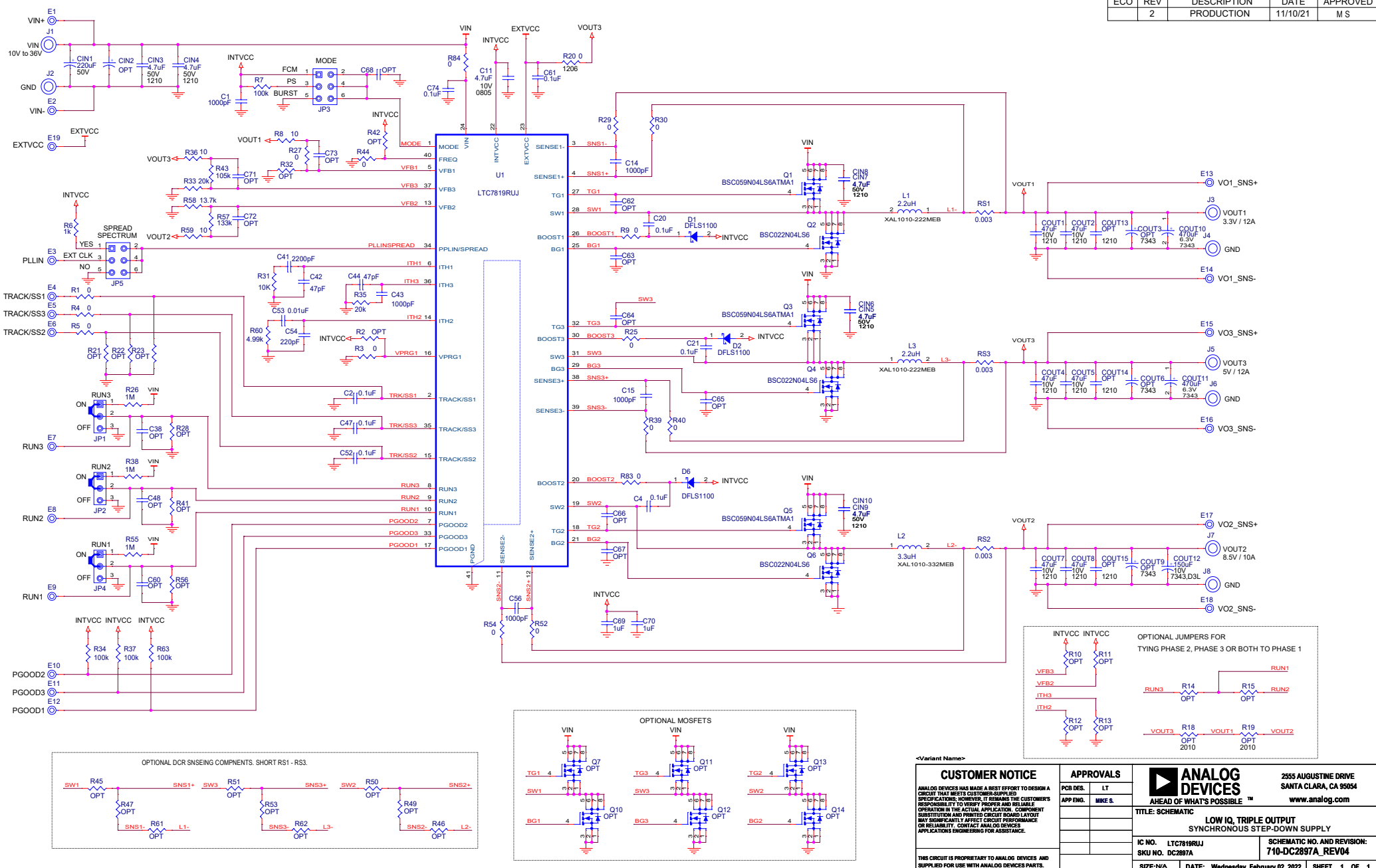


REVISION HISTORY				
ECO	REV	DESCRIPTION	DATE	APPROVED
	2	PRODUCTION	11/10/21	M S



CUSTOMER NOTICE
 ANALOG DEVICES HAS MADE A BEST EFFORT TO DESIGN A CIRCUIT THAT MEETS CUSTOMER-SUPPLIED SPECIFICATIONS. HOWEVER, IT REMAINS THE CUSTOMER'S RESPONSIBILITY TO VERIFY PROPER AND RELIABLE OPERATION IN THE ACTUAL APPLICATION. COMPONENT SUBSTITUTION AND PRINTED CIRCUIT BOARD LAYOUT MAY SIGNIFICANTLY AFFECT CIRCUIT PERFORMANCE OR RELIABILITY. CONTACT ANALOG DEVICES APPLICATIONS ENGINEERING FOR ASSISTANCE.

APPROVALS	
PCB DES.	LT
APP ENG.	MKE S.

ANALOG DEVICES
 AHEAD OF WHAT'S POSSIBLE™

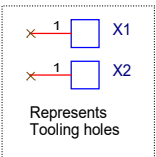
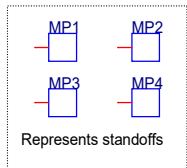
2555 AUGUSTINE DRIVE
 SANTA CLARA, CA 95054
 www.analog.com

TITLE: SCHEMATIC
LOW IQ, TRIPLE OUTPUT SYNCHRONOUS STEP-DOWN SUPPLY

IC NO. LTC7819RUJ	SCHEMATIC NO. AND REVISION: 710-DC2897A_REV04
SKU NO. DC2897A	

THIS CIRCUIT IS PROPRIETARY TO ANALOG DEVICES AND SUPPLIED FOR USE WITH ANALOG DEVICES PARTS.


SIZE: N/A DATE: Wednesday, February 02, 2022 SHEET 1 OF 1



PCA ADDITIONAL PARTS

LB1	BOARD S/N LABEL 895-0154
STNCL1	TOOL, STENCIL, 700-DC2897A REV02
PCB1	PCB, DC2897A REV02

<Variant Name>

<p align="center">CUSTOMER NOTICE</p> <p><small>ANALOG DEVICES HAS MADE A BEST EFFORT TO DESIGN A CIRCUIT THAT MEETS CUSTOMER-SUPPLIED SPECIFICATIONS. HOWEVER, IT REMAINS THE CUSTOMER'S RESPONSIBILITY TO VERIFY PROPER AND RELIABLE OPERATION IN THE ACTUAL APPLICATION. COMPONENT SUBSTITUTION AND PRINTED CIRCUIT BOARD LAYOUT MAY SIGNIFICANTLY AFFECT CIRCUIT PERFORMANCE OR RELIABILITY. CONTACT ANALOG DEVICES APPLICATIONS ENGINEERING FOR ASSISTANCE.</small></p>	APPROVALS		 <p>ANALOG DEVICES AHEAD OF WHAT'S POSSIBLE™</p> <p>2555 AUGUSTINE DRIVE SANTA CLARA, CA 95054 www.analog.com</p>	
	PCB DES.	LT		<p>TITLE: SCHEMATIC</p> <p align="center">LOW IQ, TRIPLE OUTPUT SYNCHRONOUS STEP-DOWN SUPPLY</p>
	APP ENG.	MIKE S.		
<p><small>THIS CIRCUIT IS PROPRIETARY TO ANALOG DEVICES AND SUPPLIED FOR USE WITH ANALOG DEVICES PARTS.</small></p>	IC NO. LTC7819RUJ	SKU NO. DC2897A	<p>SCHEMATIC NO. AND REVISION: 710-DC2897A_REV02</p>	
	SIZE: N/A	DATE: Wednesday, February 02, 2022	SHEET 1 OF 1	