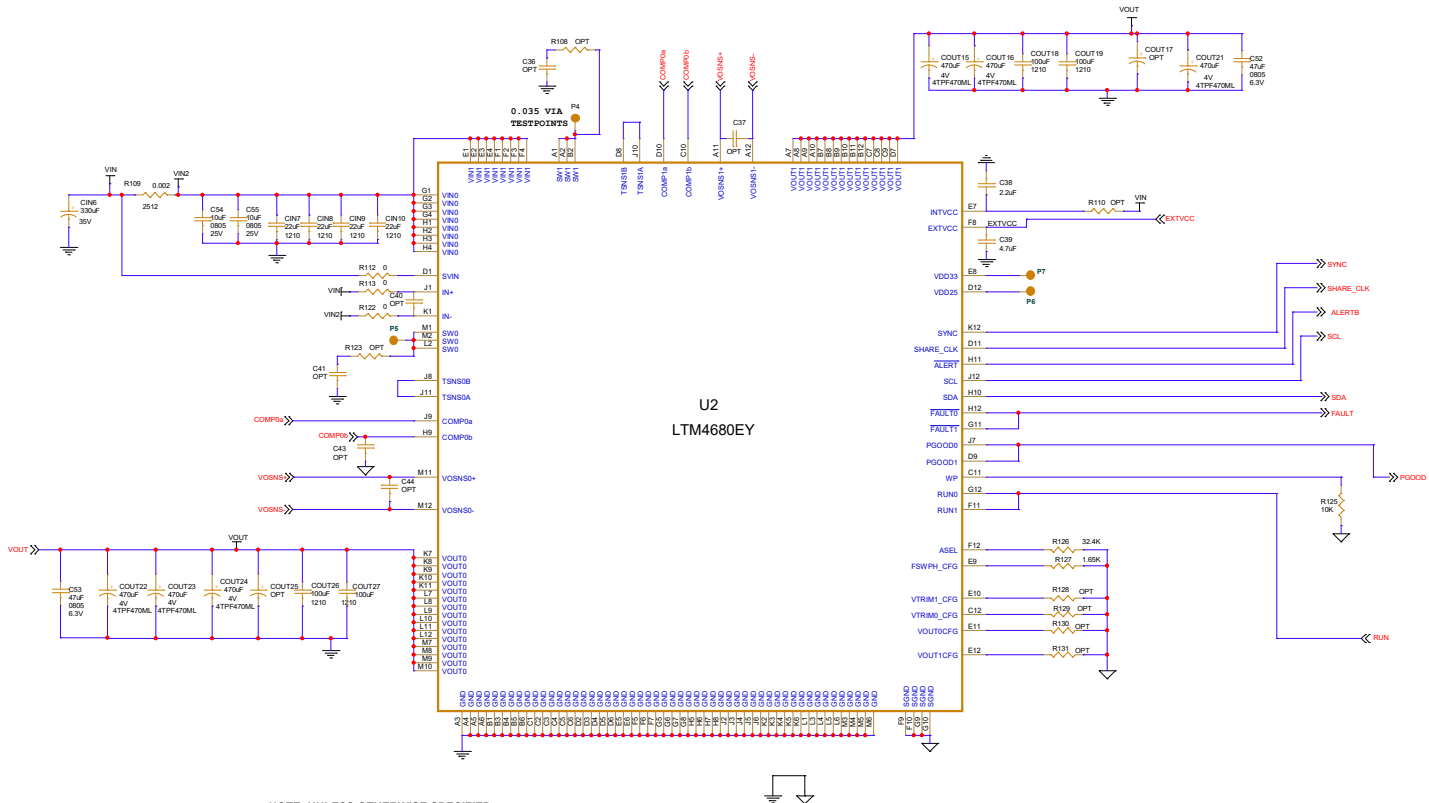


NOTE: UNLESS OTHERWISE SPECIFIED

1. ALL RESISTORS AND CAP ARE 0603.
2. WHEN VIN<5.75V, SHORT INTVCC TO VIN WITH R8=0
3. WHEN EXTVC IS USED, R106=OPEN

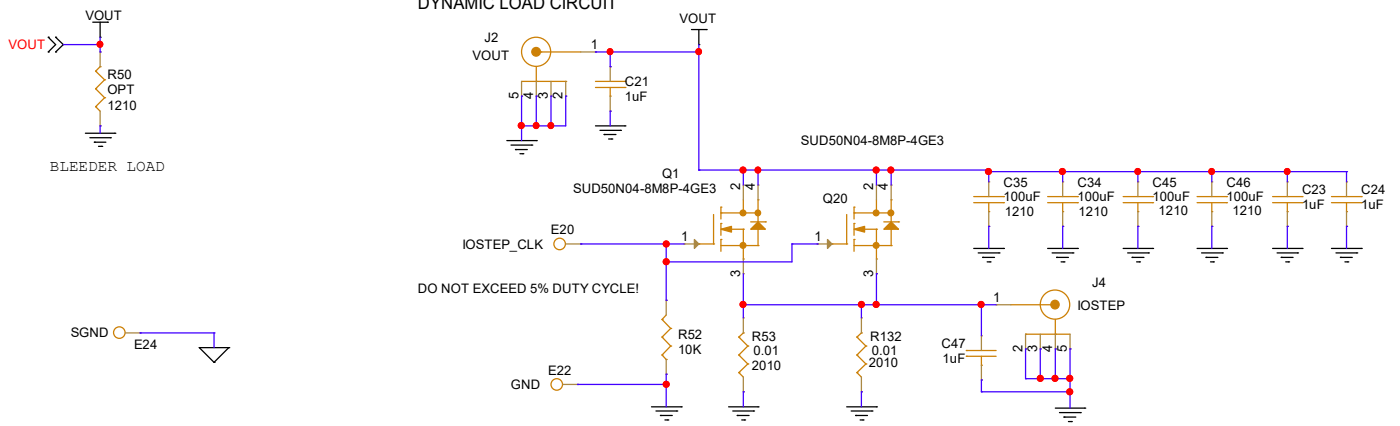
CUSTOMER NOTICE		APPROVALS		
<small>ANALOG DEVICES HAS MADE A BEST EFFORT TO DESIGN A CIRCUIT THAT MEETS CUSTOMER-SUPPLIED INFORMATION. HOWEVER, IT REMAINS THE CUSTOMER'S RESPONSIBILITY TO VERIFY PROPER AND RELIABLE OPERATION IN THE ACTUAL APPLICATION. COMPONENT SUBSTITUTION AND PRINTED CIRCUIT BOARD LAYOUT MAY SIGNIFICANTLY AFFECT CIRCUIT PERFORMANCE OR RELIABILITY. CONTACT ANALOG DEVICES APPLICATION ENGINEERING FOR ASSISTANCE.</small>		PCB DES. HZ	APP ENG. Tam L.	
<small>THIS CIRCUIT IS PROPRIETARY TO ANALOG DEVICES AND SUPPLIED FOR USE WITH ANALOG DEVICES PARTS.</small>				TITLE: SCHEMATIC HIGH EFFICIENCY, POLY-PHASE, DC/DC STEP-DOWN μMODULE REGULATOR WITH DIGITAL POWER MANAGEMENT IC NO. LTM4680EY SKU NO. DC2863A SIZE: N/A DATE: 09-26-2022
				SCHEMATIC NO. AND REVISION: 710-DC2863A_REV01 SHEET 1 OF 4



NOTE: UNLESS OTHERWISE SPECIFIED
 1. WHEN VIN=5.75V, SHORT INTVCC TO VIN WITH R110=0

CUSTOMER NOTICE		APPROVALS		
<small>ANALOG DEVICES HAS MADE A BEST EFFORT TO DESIGN A CIRCUIT THAT MEETS CUSTOMER-SUPPLIED REQUIREMENTS. HOWEVER, IT REMAINS THE CUSTOMER'S RESPONSIBILITY TO VERIFY PROPER AND RELIABLE OPERATION IN THE ACTUAL APPLICATION. COMPONENT SUBSTITUTION AND PRINTED CIRCUIT BOARD LAYOUT MAY SIGNIFICANTLY AFFECT CIRCUIT PERFORMANCE OR RELIABILITY. CONTACT ANALOG DEVICES APPLICATION ENGINEERS FOR ASSISTANCE.</small>		PCB DES. KZ APP ENG. Yan L.	TITLE: SCHEMATIC HIGH EFFICIENCY, POLY-PHASE, DC/DC STEP-DOWN μ MODULE REGULATOR WITH DIGITAL POWER MANAGEMENT IC NO. LTM4680EY SKU NO. DC2863A SIZE: N/A DATE: 09-26-2022	
<small>THIS CIRCUIT IS PROPRIETARY TO ANALOG DEVICES AND SUPPLIED FOR USE WITH ANALOG DEVICES PARTS.</small>		SCHEMATIC NO. AND REVISION: 710-DC2863A_REV01		SHEET 2 OF 4

ALL PARTS ON THIS PAGE ARE FOR DEMO ONLY, NOT NEEDED IN CUSTOMER DESIGN



CUSTOMER NOTICE

ANALOG DEVICES HAS MADE A BEST EFFORT TO DESIGN A CIRCUIT THAT MEETS CUSTOMER-SUPPLIED SPECIFICATIONS; HOWEVER, IT REMAINS THE CUSTOMER'S RESPONSIBILITY TO VERIFY PROPER AND RELIABLE OPERATION IN THE ACTUAL APPLICATION. COMPONENT SUBSTITUTION AND PRINTED CIRCUIT BOARD LAYOUT MAY SIGNIFICANTLY AFFECT CIRCUIT PERFORMANCE OR RELIABILITY. CONTACT ANALOG DEVICES APPLICATIONS ENGINEERING FOR ASSISTANCE.

THIS CIRCUIT IS PROPRIETARY TO ANALOG DEVICES AND SUPPLIED FOR USE WITH ANALOG DEVICES PARTS.

APPROVALS

PCB DES.	HZ
APP ENG.	Yan L.



TITLE: SCHEMATIC
HIGH EFFICIENCY, POLY-PHASE, DC/DC STEP-DOWN μ MODULE REGULATOR WITH DIGITAL POWER MANAGEMENT

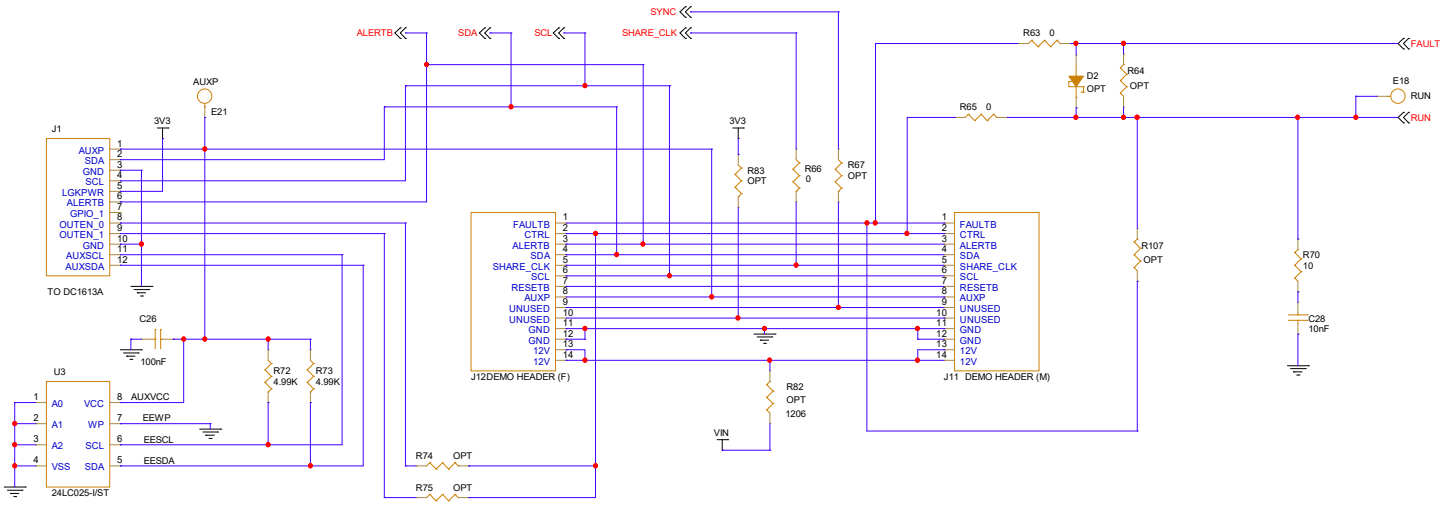
IC NO. LTM4680EY
SKU NO. DC2863A

SCHEMATIC NO. AND REVISION:
710-DC2863A_REV01

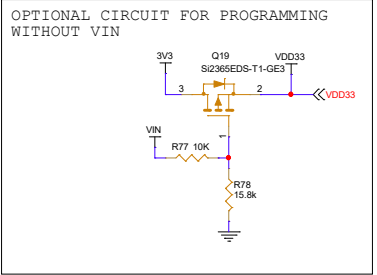
SIZE: N/A DATE: 09-26-2022

SHEET 3 OF 4

ALL PARTS ON THIS PAGE ARE FOR DEMO BOARD ONLY, NOT NEEDED IN CUSTOMER DESIGN



PSM STACKING CONNECTORS:
 J12, FEMALE, CONN RECEIPT 2MM DUAL R/A 14POS, Sullins Conn. NPPN072FJFN-BC
 J11, MALE CONN HEADER 14POS 2MM R/A GOLD, Molex Connector Corp. 87760-1416



CUSTOMER NOTICE
 ANALOG DEVICES HAS MADE A BEST EFFORT TO DESIGN A CIRCUIT THAT MEETS CUSTOMER-SUPPLIED SPECIFICATIONS; HOWEVER, IT REMAINS THE CUSTOMER'S RESPONSIBILITY TO VERIFY PROPER AND RELIABLE OPERATION IN THE ACTUAL APPLICATION. COMPONENT SUBSTITUTION AND PRINTED CIRCUIT BOARD LAYOUT MAY SIGNIFICANTLY AFFECT CIRCUIT PERFORMANCE OR RELIABILITY. CONTACT ANALOG DEVICES APPLICATIONS ENGINEERING FOR ASSISTANCE.

THIS CIRCUIT IS PROPRIETARY TO ANALOG DEVICES AND SUPPLIED FOR USE WITH ANALOG DEVICES PARTS.

APPROVALS	
PCB DES.	HZ
APP ENG.	Yan L.

ANALOG DEVICES

TITLE: SCHEMATIC
 HIGH EFFICIENCY, POLY-PHASE, DC/DC STEP-DOWN μMODULE REGULATOR WITH DIGITAL POWER MANAGEMENT

IC NO. LTM4680EY
 SKU NO. DC2863A

SCHEMATIC NO. AND REVISION:
710-DC2863A_REV01

SIZE: N/A DATE: 09-26-2022 SHEET 4 OF 4