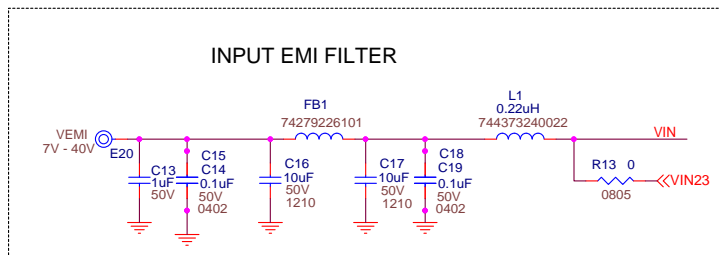
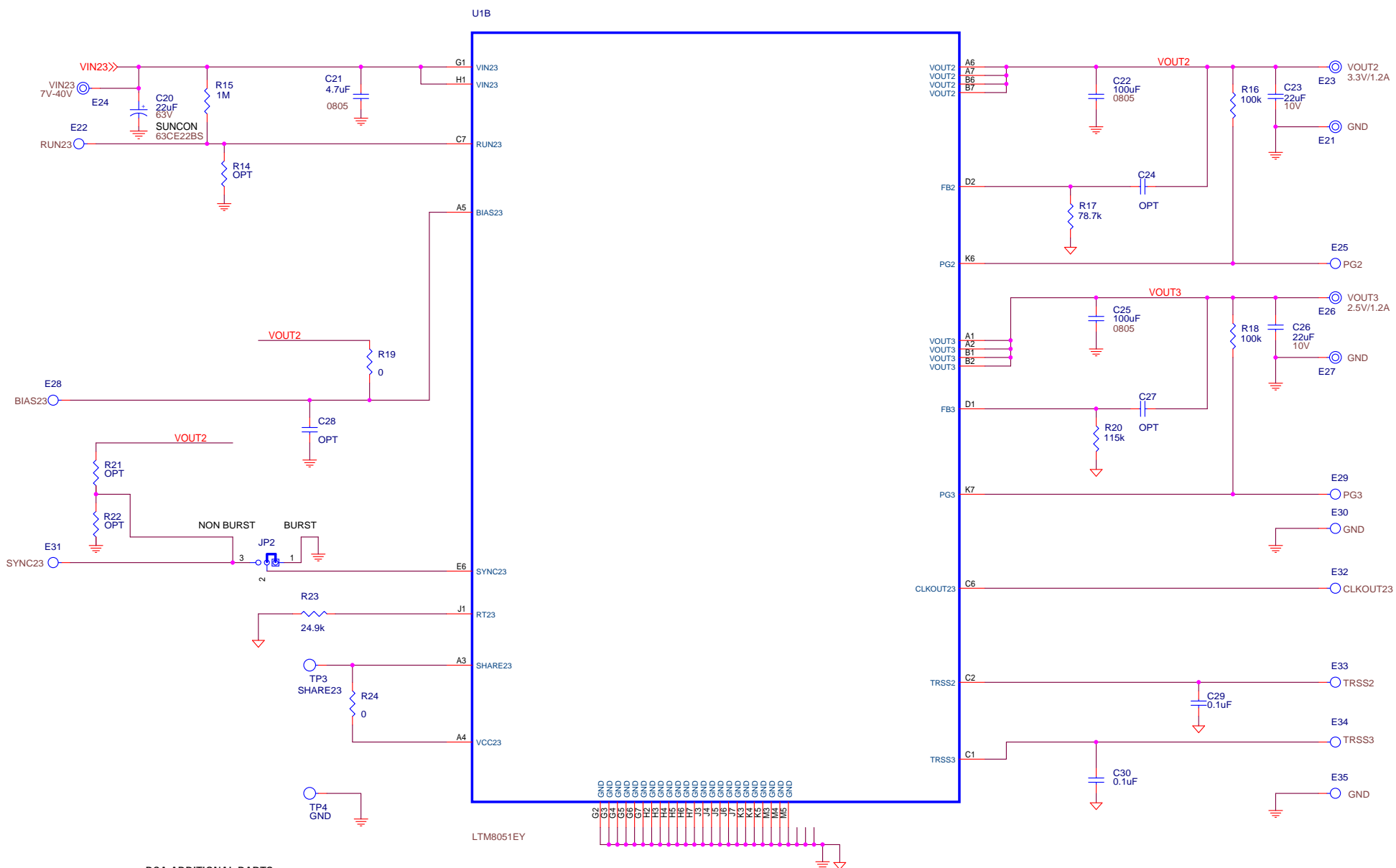


NOTE: UNLESS OTHERWISE SPECIFIED

1. ALL RESISTORS ARE IN 0603.
- ALL CAPACITORS ARE IN 0603.



CUSTOMER NOTICE		APPROVALS		
<small>ANALOG DEVICES HAS MADE A BEST EFFORT TO DESIGN A CIRCUIT THAT MEETS CUSTOMER-SUPPLIED SPECIFICATIONS; HOWEVER, IT REMAINS THE CUSTOMER'S RESPONSIBILITY TO VERIFY PROPER AND RELIABLE OPERATION IN THE ACTUAL APPLICATION. COMPONENT SUBSTITUTION AND PRINTED CIRCUIT BOARD LAYOUT MAY SIGNIFICANTLY AFFECT CIRCUIT PERFORMANCE OR RELIABILITY. CONTACT ANALOG DEVICES APPLICATIONS ENGINEERING FOR ASSISTANCE.</small>				
<small>THIS CIRCUIT IS PROPRIETARY TO ANALOG DEVICES AND SUPPLIED FOR USE WITH ANALOG DEVICES PARTS.</small>		PCB DES. HZ APP ENG. Charlie Z.	TITLE: SCHEMATIC 40V, 1.2A QUAD STEP-DOWN SILENT SWITCHER uMODULE REGULATOR	
		IC NO. LTM8051EY SKU NO. DC2860A	SCHEMATIC NO. AND REVISION: 710-DC2860A_REV03	
		SIZE: N/A DATE:	SHEET 1 OF 2	



PCA ADDITIONAL PARTS

MP1	STANDOFF,NYLON,SNAP-ON,0.25" (6.4mm)
MP2	STANDOFF,NYLON,SNAP-ON,0.25" (6.4mm)
MP3	STANDOFF,NYLON,SNAP-ON,0.25" (6.4mm)
MP4	STANDOFF,NYLON,SNAP-ON,0.25" (6.4mm)
LB1	BOARD S/N LABEL
PCB1	PCB, DC2860A REV01
STNCL1	TOOL, STENCIL, 700-DC2860AREV01

<p>CUSTOMER NOTICE</p> <p>ANALOG DEVICES HAS MADE A BEST EFFORT TO DESIGN A CIRCUIT THAT MEETS CUSTOMER-SUPPLIED SPECIFICATIONS; HOWEVER, IT REMAINS THE CUSTOMER'S RESPONSIBILITY TO VERIFY PROPER AND RELIABLE OPERATION IN THE ACTUAL APPLICATION. COMPONENT SUBSTITUTION AND PRINTED CIRCUIT BOARD LAYOUT MAY SIGNIFICANTLY AFFECT CIRCUIT PERFORMANCE OR RELIABILITY. CONTACT ANALOG DEVICES APPLICATIONS ENGINEERING FOR ASSISTANCE.</p>		<p>APPROVALS</p>		
		PCB DES.	HZ	
APP ENG.	Charlie Z.	<p>TITLE: SCHEMATIC</p> <p>40V, 1.2A QUAD STEP-DOWN SILENT SWITCHER uMODULE REGULATOR</p>		<p>IC NO. LTM8051EY</p> <p>SKU NO. DC2860A</p> <p>SIZE: N/A DATE:</p>
<p>THIS CIRCUIT IS PROPRIETARY TO ANALOG DEVICES AND SUPPLIED FOR USE WITH ANALOG DEVICES PARTS.</p>		<p>SHEMATIC NO. AND REVISION:</p> <p>710-DC2860A_REV03</p>		
		<p>SHEET 2 OF 2</p>		