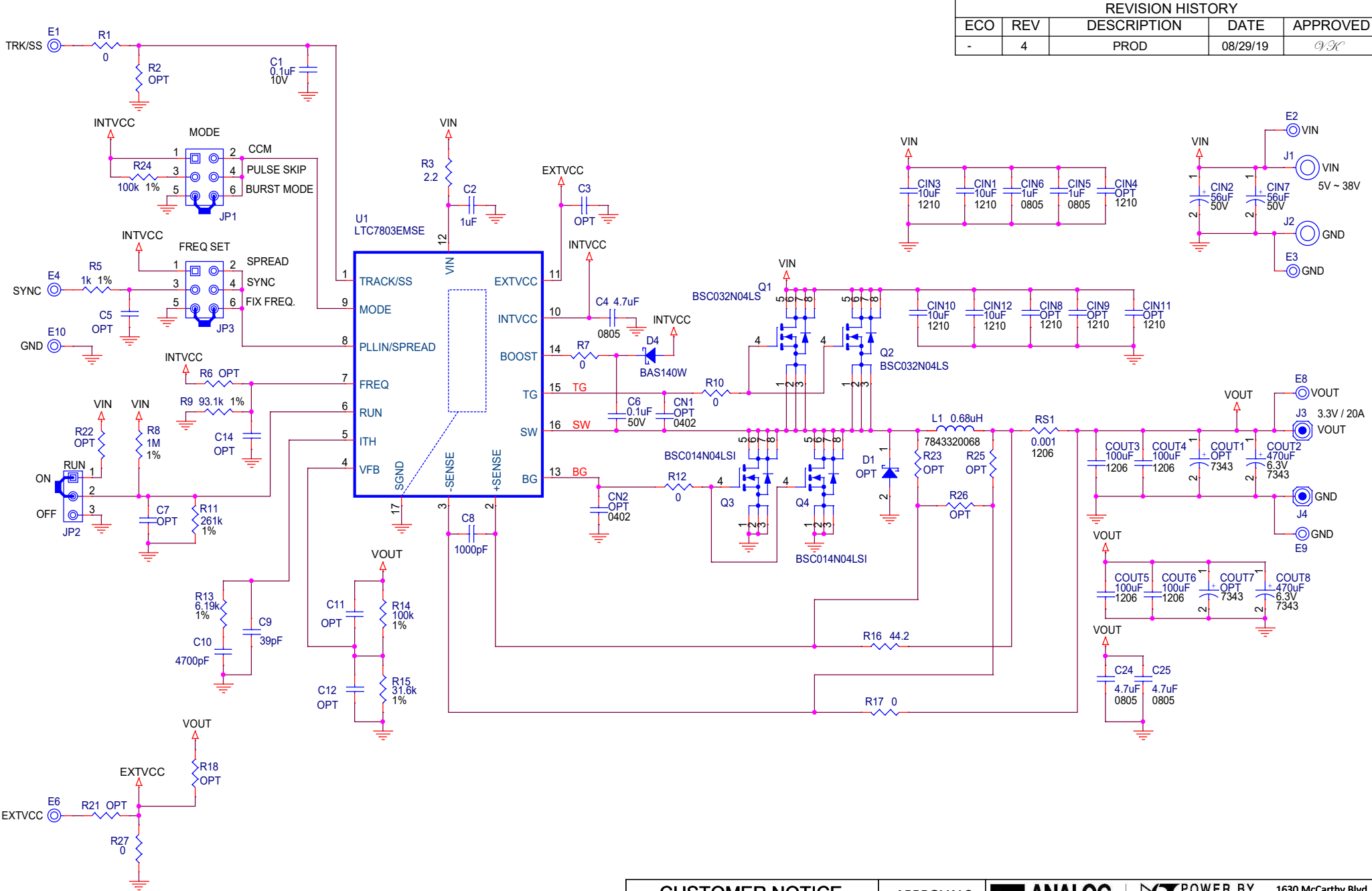


REVISION HISTORY				
ECO	REV	DESCRIPTION	DATE	APPROVED
-	4	PROD	08/29/19	<i>93R</i>



CUSTOMER NOTICE ANALOG DEVICES INC. HAS MADE A BEST EFFORT TO DESIGN A CIRCUIT THAT MEETS CUSTOMER-SUPPLIED SPECIFICATIONS; HOWEVER, IT REMAINS THE CUSTOMER'S RESPONSIBILITY TO VERIFY PROPER AND RELIABLE OPERATION IN THE ACTUAL APPLICATION. COMPONENT SUBSTITUTION AND PRINTED CIRCUIT BOARD LAYOUT MAY SIGNIFICANTLY AFFECT CIRCUIT PERFORMANCE OR RELIABILITY. CONTACT ANALOG DEVICES INC. APPLICATIONS ENGINEERING FOR ASSISTANCE.		APPROVALS PCB DES. <i>MS</i> APP ENG. <i>93R</i>		1630 McCarthy Blvd. Milpitas, CA 95035 Phone: 1-408-432-1900	
		IC NO. LTC7803EMSE			TITLE: DEMO CIRCUIT SCHEMATIC, HIGH FREQUENCY, LOW IQ SYNCHRONOUS STEP-DOWN CONVERTER
For ADI Customer Use Only THIS CIRCUIT IS PROPRIETARY TO ANALOG DEVICES INC. AND SUPPLIED FOR USE WITH ANALOG DEVICES INC. PARTS.		SKU NO. DC2834A		PCA BOM: 700-DC2834A_REV09 PCA ASSY: 705-DC2834A_REV04	
		SIZE: N/A SCALE = NONE DATE: Monday, December 16, 2019		SCHEMATIC NO. AND REVISION: 710-DC2834A_REV04	
				SHEET 1 OF 1	