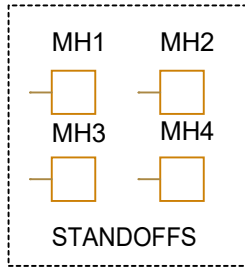


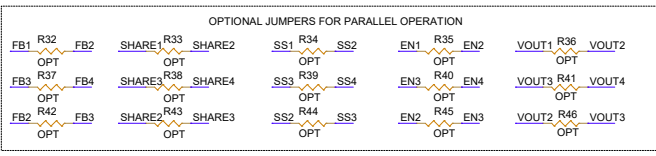
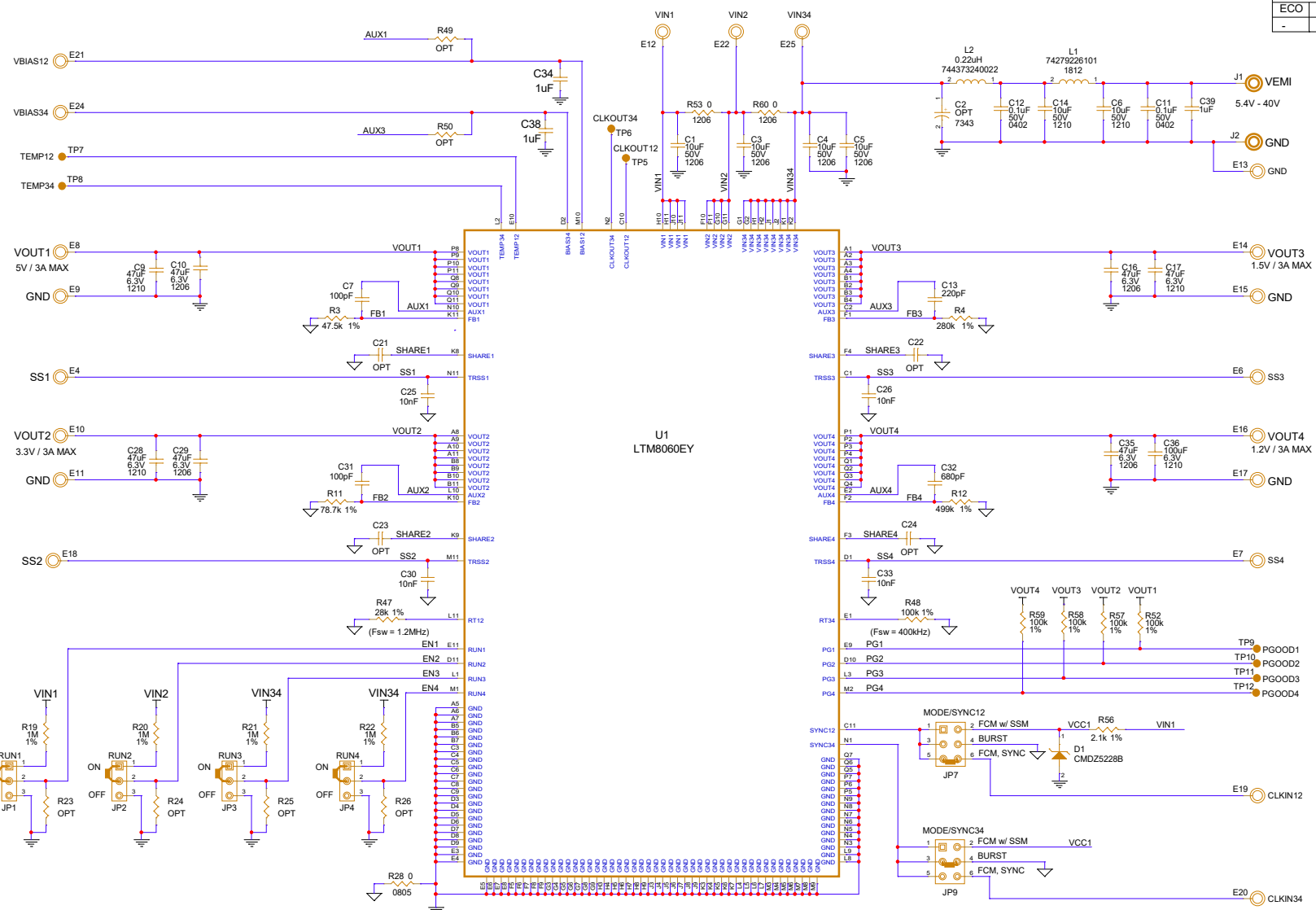
PCA ADDITIONAL PARTS

LB1	LABEL SPEC, DEMO BOARD SERIAL NUMBER
PCB1	PCB, DC2820A REV02
STNCL1	TOOL, STENCIL, 700-DC2820A REV02

USED TO MANUFACTURE PCB



REVISION HISTORY				
ECO	REV	DESCRIPTION	DATE	APPROVED
-	4	PROTO	03/18/20	<i>CS</i>



NOTE: UNLESS OTHERWISE SPECIFIED
1. ALL RESISTORS AND CAPACITORS ARE 0603.

CUSTOMER NOTICE
ANALOG DEVICES, INC. HAS MADE A BEST EFFORT TO DESIGN A CIRCUIT THAT MEETS CUSTOMER-SUPPLIED SPECIFICATIONS; HOWEVER, IT REMAINS THE CUSTOMER'S RESPONSIBILITY TO VERIFY PROPER AND RELIABLE OPERATION IN THE ACTUAL APPLICATION. COMPONENT SUBSTITUTION AND PRINTED CIRCUIT BOARD LAYOUT MAY SIGNIFICANTLY AFFECT CIRCUIT PERFORMANCE OR RELIABILITY. CONTACT ANALOG DEVICES INC. APPLICATIONS ENGINEERING FOR ASSISTANCE.

For ADI Customer Use Only
THIS CIRCUIT IS PROPRIETARY TO ANALOG DEVICES INC. AND SUPPLIED FOR USE WITH ANALOG DEVICES INC. PARTS.

APPROVALS		ANALOG DEVICES		POWER BY LINEAR	
PCB DES.	<i>CS</i>	www.analog.com		1630 McCarthy Blvd. Milpitas, CA 95035 Phone: 1-408-432-1900	
APP ENG.	<i>CS</i>	TITLE: DEMO CIRCUIT SCHEMATIC LTM8060EY		40VIN QUAD 3A STEP-DOWN SILENT SWITCHER mMODULE REGULATOR	
SKU NO.	DC2820A	PCA BOM:	700-DC2820A_REV04	PCA ASSY:	705-DC2820A_REV02
SIZE:	N/A	SCALE:	NONE	DATE:	Wednesday, March 18, 2020
			SCHEMATIC NO. AND REVISION: 710-DC2820A_REV04		
			SHEET 1 OF 1		