

5

4

3

2

1

D

D

C

C

B

B

A

A

5

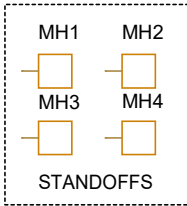
4

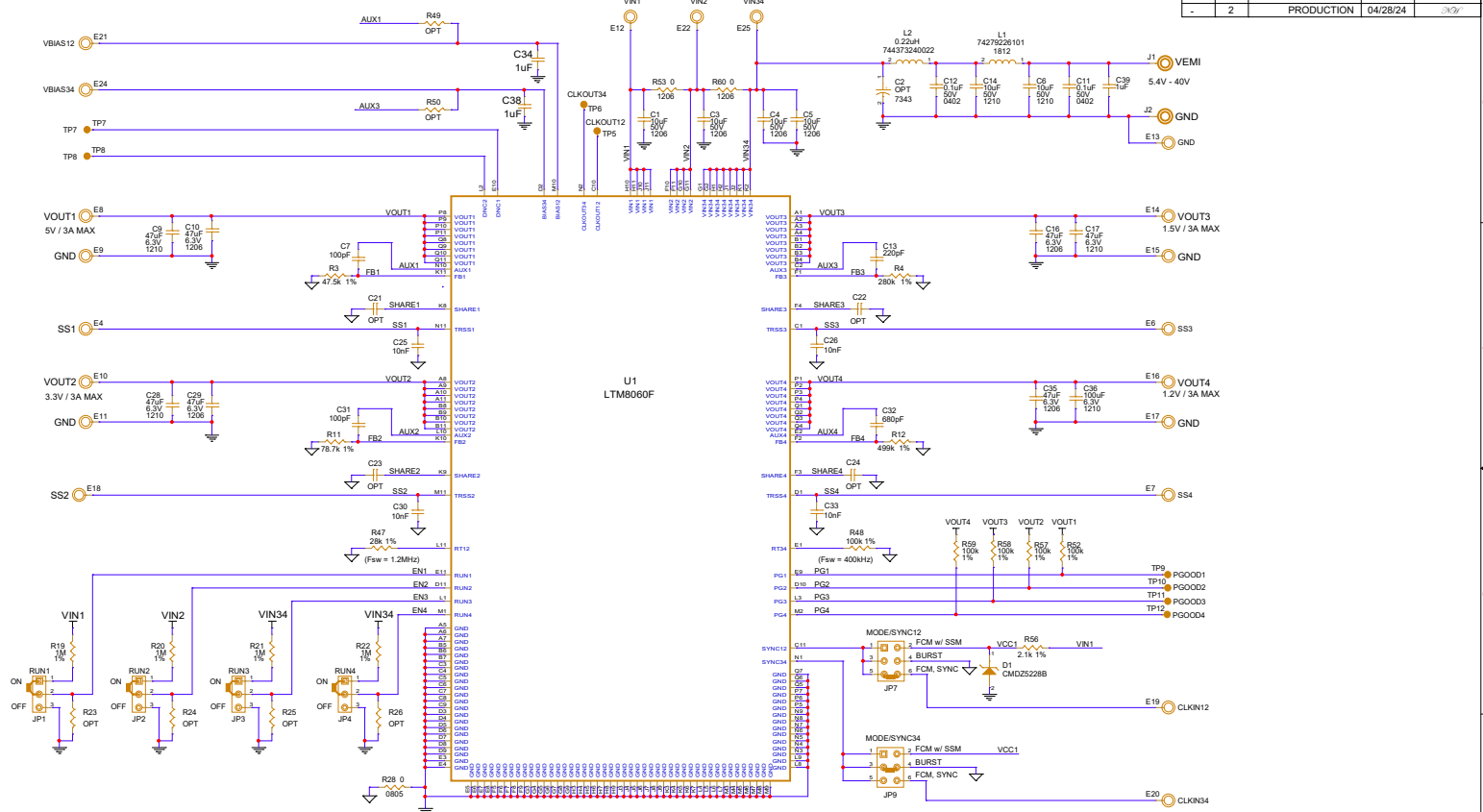
3

2

1

USED TO MANUFACTURE PCB





OPTIONAL JUMPERS FOR PARALLEL OPERATION

FB1	R3	SHARE1	R33	SHARE2	SS1	R34	SS2	EN1	R35	EN2	VOUT1	R36	VOUT2
FB2	R37	SHARE3	R38	SHARE4	SS3	R39	SS4	EN3	R40	EN4	VOUT3	R41	VOUT4
FB3	R42	SHARE4	R43	SHARE3	SS2	R44	SS3	EN2	R45	EN3	VOUT2	R46	VOUT3
FB4	R47	SHARE3	R48	SHARE2	SS1	R49	SS2	EN1	R50	EN2	VOUT1	R51	VOUT2

NOTE: UNLESS OTHERWISE SPECIFIED
1. ALL RESISTORS AND CAPACITORS ARE 0603.

CUSTOMER NOTICE
ANALOG DEVICES HAS MADE A BEST EFFORT TO DESIGN A CIRCUIT THAT MEETS CUSTOMER REQUIREMENTS. ANALOG DEVICES DOES NOT WARRANT THE CUSTOMER'S RESPONSIBILITY TO VERIFY PROPER AND RELIABLE OPERATION IN THE ACTUAL APPLICATION. CUSTOMER APPLICATIONS REQUIREMENTS AND PROTECT BOARD/PRODUCT INTEGRITY. ANALOG DEVICES CANNOT BE HELD RESPONSIBLE FOR APPLICATIONS OR MISUSE OF THE PRODUCT. CONTACT ANALOG DEVICES APPLICATIONS SUPPORT FOR ASSISTANCE.

APPROVALS	
PCB DES.	REV
APP ENG.	REV

	2555 AUGUSTINE DRIVE SANTA CLARA, CA 95054 www.analog.com
	TITLE: SCHEMATIC
IC NO. LTM806F	SCHEMATIC NO. AND REVISION: DC250A-B
SIZE: N/A	DATE: Friday, August 30, 2024