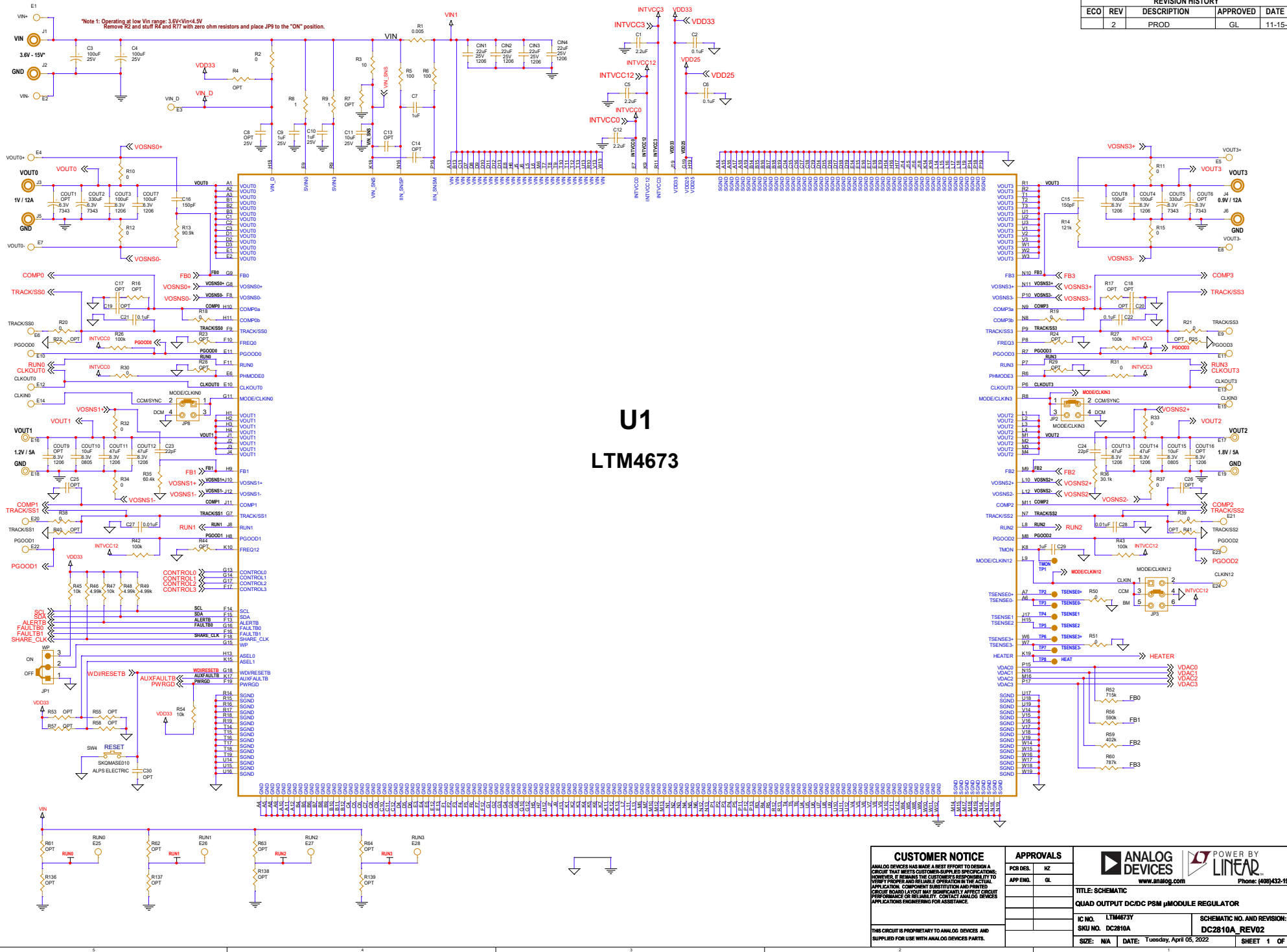


REVISION HISTORY				
ECO	REV	DESCRIPTION	APPROVED	DATE
	2	PROD	GL	11-15-22



U1
LTM4673

CUSTOMER NOTICE

ANALOG DEVICES HAS MADE A BEST EFFORT TO DESIGN A CIRCUIT THAT MEETS CUSTOMER-SUPPLIED SPECIFICATIONS; HOWEVER, IT REMAINS THE CUSTOMER'S RESPONSIBILITY TO VERIFY PROPER AND RELIABLE OPERATION IN THE ACTUAL APPLICATION. COMPONENT SUBSTITUTION AND PRINTED CIRCUIT BOARD LAYOUT MAY SIGNIFICANTLY AFFECT CIRCUIT PERFORMANCE OR RELIABILITY. CONTACT ANALOG DEVICES APPLICATIONS ENGINEERING FOR ASSISTANCE.

THIS CIRCUIT IS PROPRIETARY TO ANALOG DEVICES AND SUPPLIED FOR USE WITH ANALOG DEVICES PARTS.

APPROVALS

PCB DES.	HZ
APP ENG.	GL

ANALOG DEVICES www.analog.com

POWER BY LINEAR Phone: (409)432-1900

TITLE: SCHEMATIC

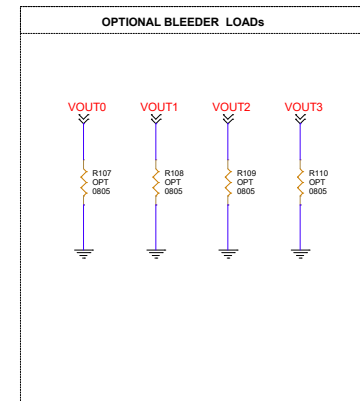
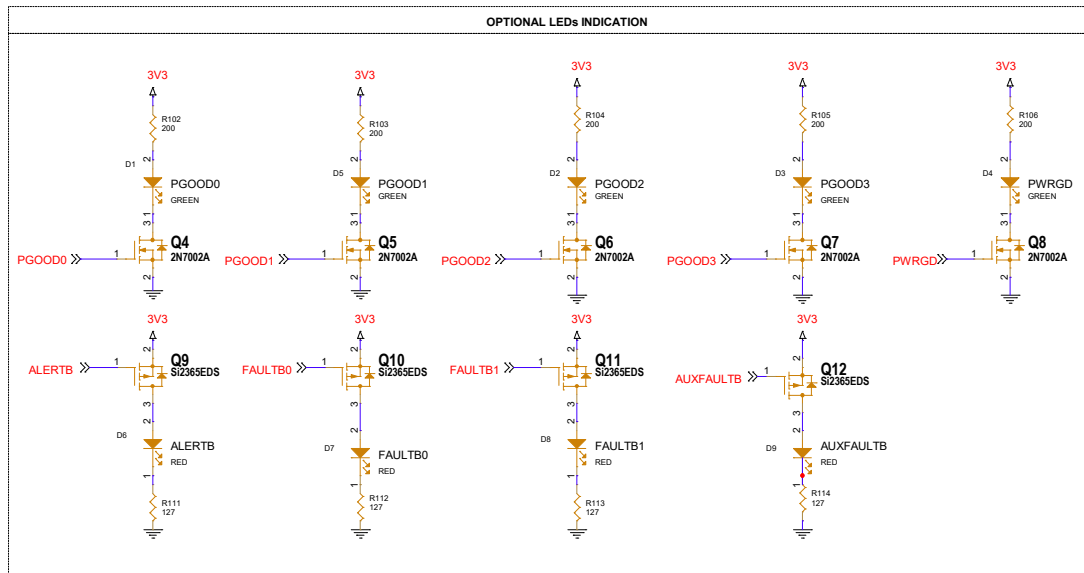
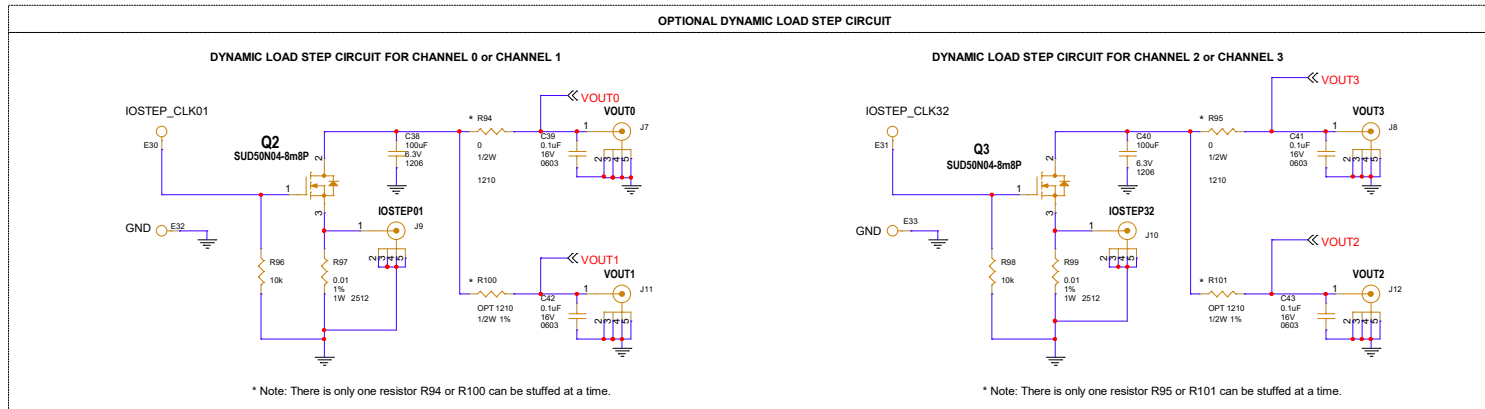
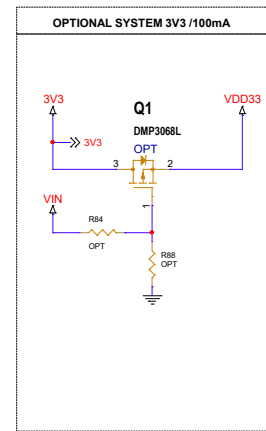
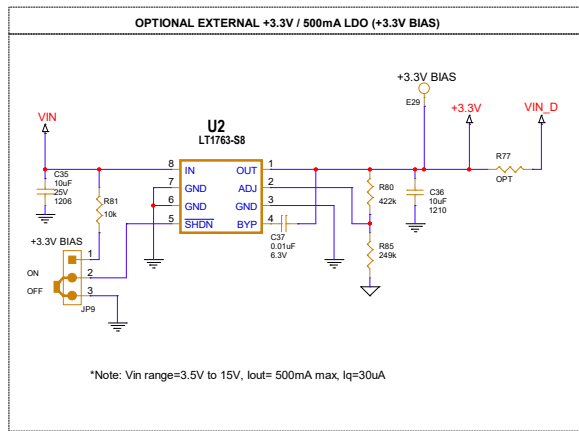
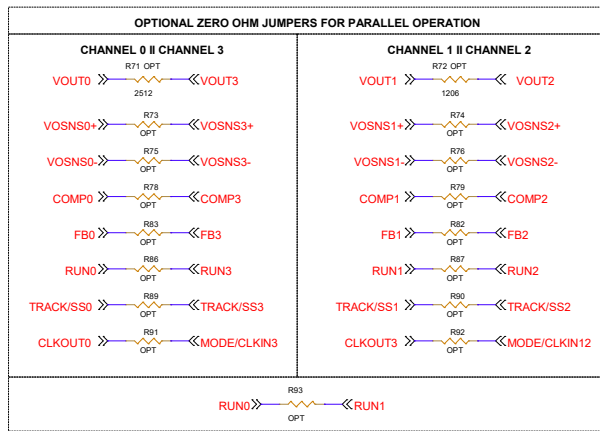
QUAD OUTPUT DC/DC P8M μMODULE REGULATOR

IC NO. LTM4673Y

SKU NO. DC2810A

SCHEMATIC NO. AND REVISION: DC2810A_REV02

SIZE: NA DATE: Tuesday, April 05, 2022 SHEET 1 OF 3

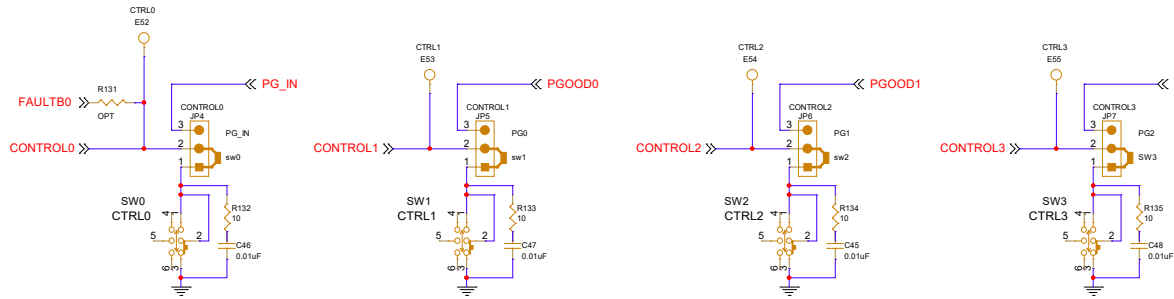
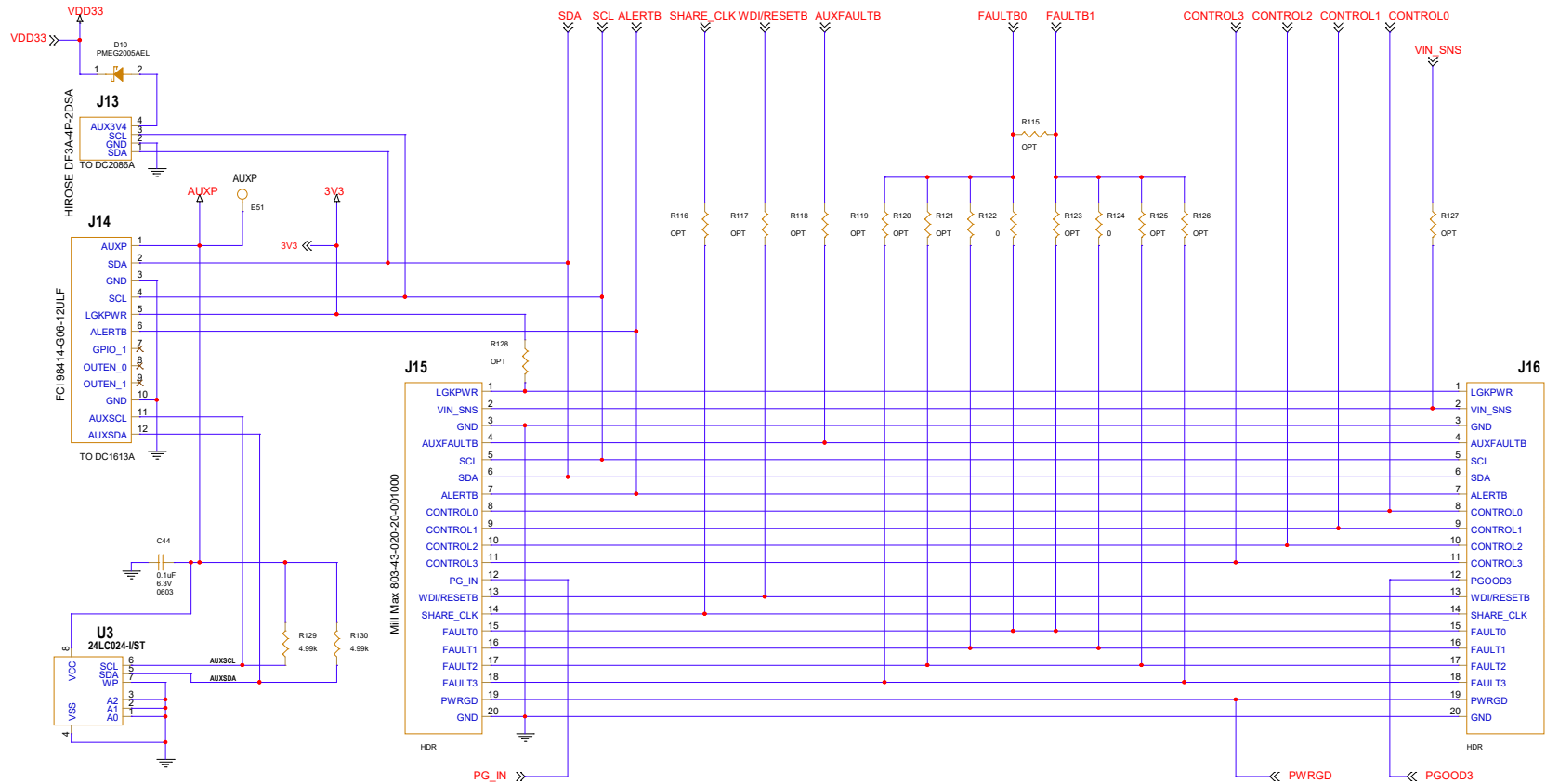


TEST POINTS

SCL	E54	SCL
SDA	E35	SDA
ALERTB	E38	ALERTB
FAULTB0	E37	FAULTB0
FAULTB1	E38	FAULTB1
INTVCC0	E56	INTVCC0
INTVCC12	E57	INTVCC12
INTVCC3	E58	INTVCC3
VDD33	E39	VDD33
VDD25	E40	VDD25
PWRGD	E41	PWRGD
SHARE_CLK	E42	SHARE_CLK
AUXFAULTB	E43	AUXFAULTB
VOUT1+	E44	VOUT1
VOUT1-	E45	
VOUT2+	E46	VOUT2
VOUT2-	E47	
SGND	E48	
GND	E49	
GND	E50	

NOTE: UNLESS OTHERWISE SPECIFIED
 1. ALL RESISTORS ARE IN OHMS, 0603.
 2. ALL CAPACITORS ARE IN MICROFARADS, 0603.

CUSTOMER NOTICE		APPROVALS		ANALOG DEVICES	POWER BY LINEAR
ANALOG DEVICES HAS MADE A BEST EFFORT TO DESIGN A CIRCUIT THAT MEETS CUSTOMER-SUPPLIED SPECIFICATIONS; HOWEVER, IT REMAINS THE CUSTOMER'S RESPONSIBILITY TO VERIFY PROPER AND RELIABLE OPERATION IN THE ACTUAL APPLICATION. COMPONENT SUBSTITUTION AND PRINTED CIRCUIT BOARD LAYOUT MAY SIGNIFICANTLY AFFECT CIRCUIT PERFORMANCE OR RELIABILITY. CONTACT ANALOG DEVICES APPLICATIONS ENGINEERING FOR ASSISTANCE.		PCB DES.	HZ		
		APP ENG.	GL	TITLE: SCHEMATIC	
		QUAD OUTPUT DC/DC PSM μMODULE REGULATOR			
		IC NO. LTM4673Y		SCHEMATIC NO. AND REVISION:	
		SKU NO. DC2810A		DC2810A_REV02	
THIS CIRCUIT IS PROPRIETARY TO ANALOG DEVICES AND SUPPLIED FOR USE WITH ANALOG DEVICES PARTS.		SIZE: N/A		DATE: Tuesday, April 05, 2022	SHEET 2 OF 3



*Note: CONTROL0 is used to cascade sequence ON of all channels

PCA ADDITIONAL PARTS

MP1	STANDOFF,NYLON,SNAP-ON,0.25" (6.4mm)
MP2	STANDOFF,NYLON,SNAP-ON,0.25" (6.4mm)
MP3	STANDOFF,NYLON,SNAP-ON,0.25" (6.4mm)
MP4	STANDOFF,NYLON,SNAP-ON,0.25" (6.4mm)
LB1	LABEL SPEC. DEMO BOARD SERIAL NUMBER
PCB1	PCB, DC2810A REV01
STNCL1	TOOL, STENCIL, 700-DC2810A REV01

<p>CUSTOMER NOTICE ANALOG DEVICES HAS MADE A BEST EFFORT TO DESIGN A CIRCUIT THAT MEETS CUSTOMER-SUPPLIED SPECIFICATIONS; HOWEVER, IT REMAINS THE CUSTOMER'S RESPONSIBILITY TO VERIFY PROPER AND RELIABLE OPERATION IN THE ACTUAL APPLICATION. COMPONENT SUBSTITUTION AND PRIOR CIRCUIT BOARD LAYOUT MAY SIGNIFICANTLY AFFECT CIRCUIT PERFORMANCE OR RELIABILITY. CONTACT ANALOG DEVICES APPLICATIONS ENGINEERING FOR ASSISTANCE.</p> <p>THIS CIRCUIT IS PROPRIETARY TO ANALOG DEVICES AND SUPPLIED FOR USE WITH ANALOG DEVICES PARTS.</p>	<p>APPROVALS</p> <table border="1"> <tr> <td>PCB DES.</td> <td>HZ</td> </tr> <tr> <td>APP ENG.</td> <td>GL</td> </tr> </table>	PCB DES.	HZ	APP ENG.	GL	<p>ANALOG DEVICES POWER BY LINEAR</p> <p>www.analog.com Phone: (408)432-1900</p> <p>TITLE: SCHEMATIC QUAD OUTPUT DC/DC PSM µMODULE REGULATOR</p> <table border="1"> <tr> <td>IC NO. LTM4673Y</td> <td>SCHEMATIC NO. AND REVISION:</td> </tr> <tr> <td>SKU NO. DC2810A</td> <td>DC2810A_REV02</td> </tr> </table> <p>SIZE: N/A DATE: Tuesday, April 05, 2022 SHEET 3 OF 3</p>	IC NO. LTM4673Y	SCHEMATIC NO. AND REVISION:	SKU NO. DC2810A	DC2810A_REV02
	PCB DES.	HZ								
	APP ENG.	GL								
	IC NO. LTM4673Y	SCHEMATIC NO. AND REVISION:								
SKU NO. DC2810A	DC2810A_REV02									
<p>DC2810A</p>										
<p>DATE: Tuesday, April 05, 2022</p>										
<p>SHEET 3 OF 3</p>										