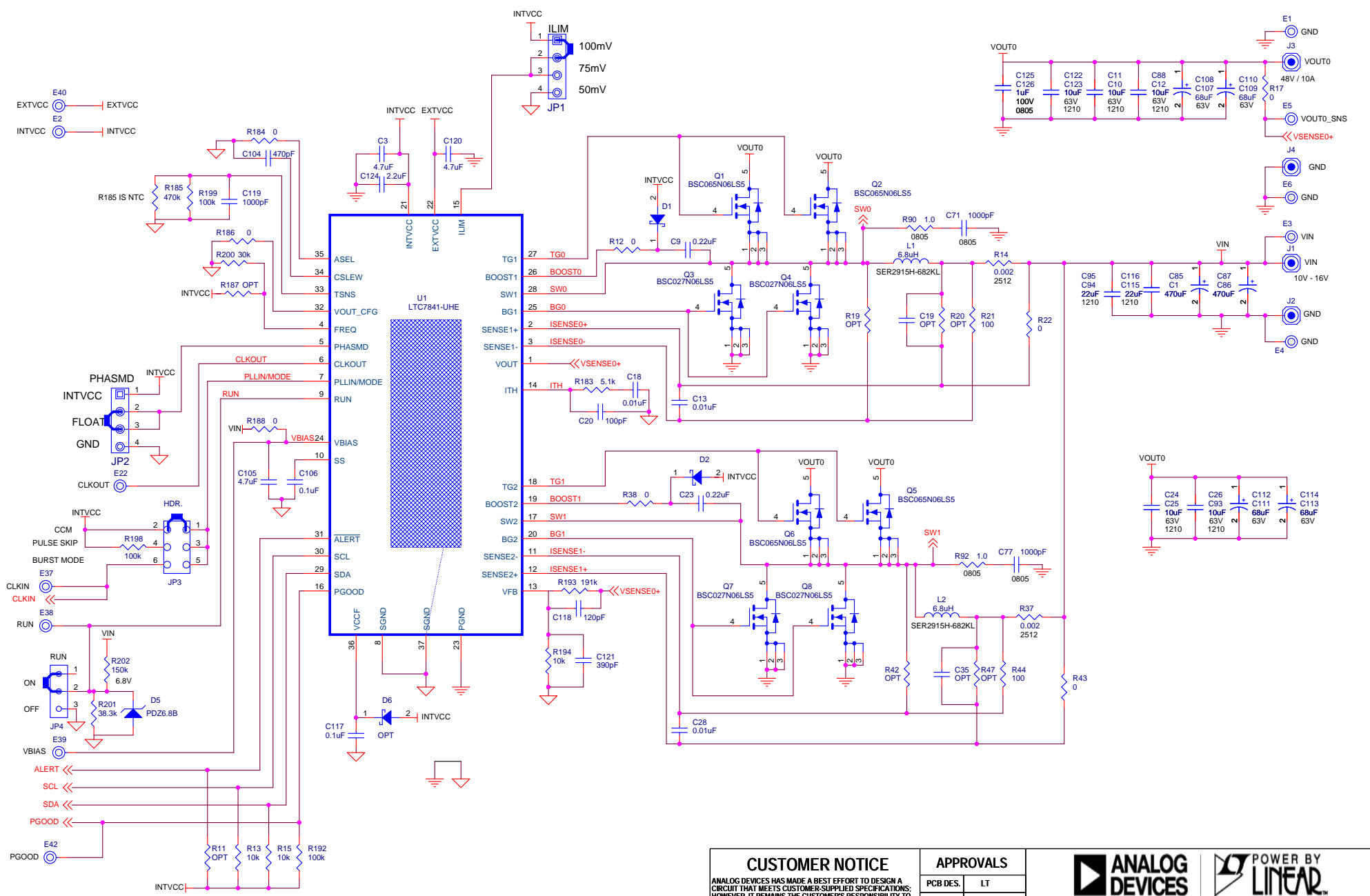




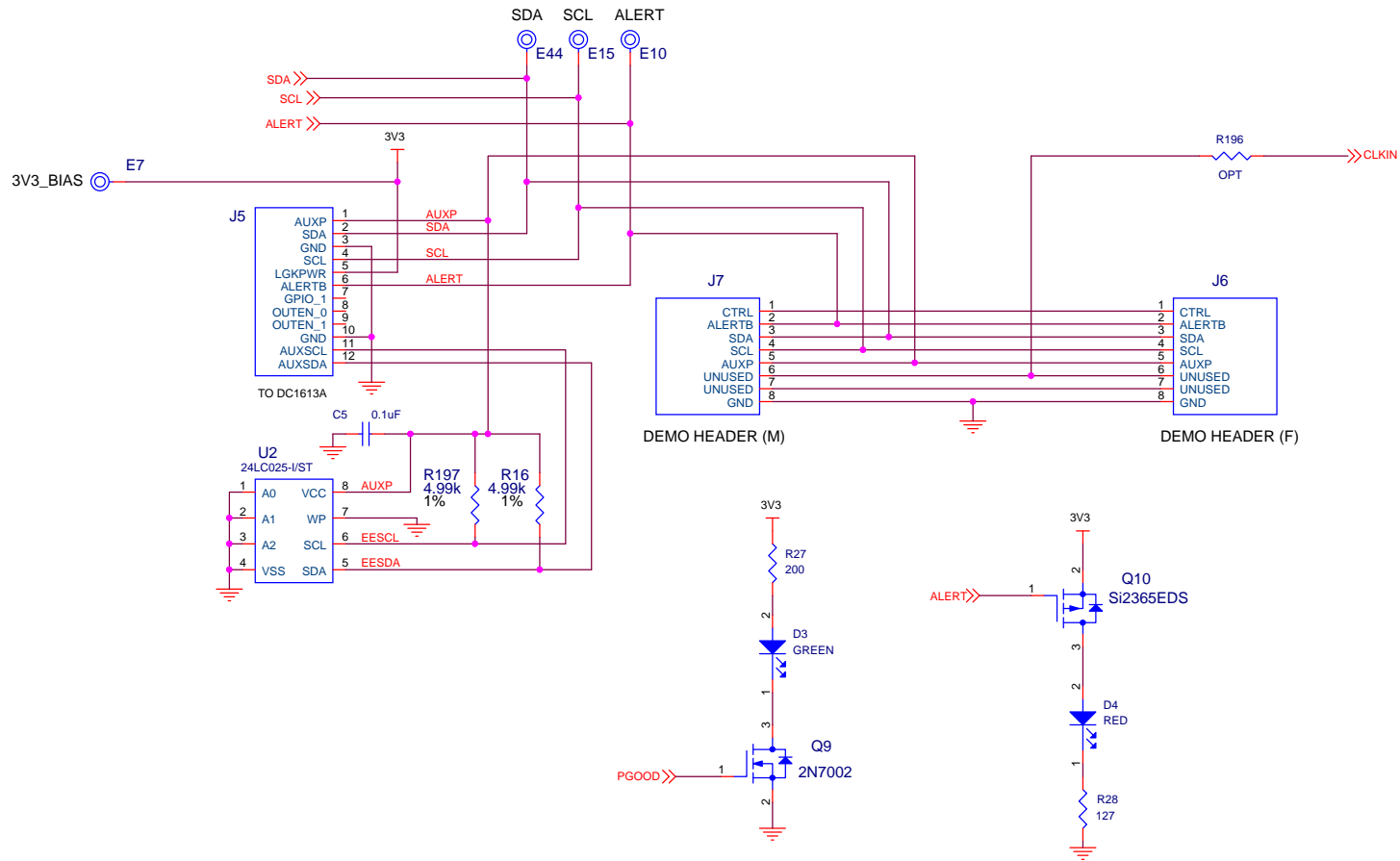
REVISION HISTORY				
ECO	REV	DESCRIPTION	APPROVED	DATE
	2	PRODUCTION	XC	11-18-19



NOTE: UNLESS OTHERWISE SPECIFIED
1. ALL RESISTORS AND CAPACITORS ARE 0603.

CUSTOMER NOTICE		APPROVALS		  www.analog.com Phone: (408)432-1900
ANALOG DEVICES HAS MADE A BEST EFFORT TO DESIGN A CIRCUIT THAT MEETS CUSTOMER-SUPPLIED SPECIFICATIONS; HOWEVER, IT REMAINS THE CUSTOMER'S RESPONSIBILITY TO VERIFY PROPER AND RELIABLE OPERATION IN THE ACTUAL APPLICATION. COMPONENT SUBSTITUTION AND PRINTED CIRCUIT BOARD LAYOUT MAY SIGNIFICANTLY AFFECT CIRCUIT PERFORMANCE OR RELIABILITY. CONTACT ANALOG DEVICES APPLICATIONS ENGINEERING FOR ASSISTANCE.		PCB DES.	LT	
		APP ENG.	XC	
THIS CIRCUIT IS PROPRIETARY TO ANALOG DEVICES AND SUPPLIED FOR USE WITH ANALOG DEVICES PARTS.				TITLE: SCHEMATIC 60V DUAL PHASE SINGLE OUTPUT SYNCHRONOUS BOOST CONTROLLER WITH PMBUS IC NO. LTC7841UHE SKU NO. DC2798A
		SIZE: N/A	DATE: 11-18-19	SCHEMATIC NO. AND REVISION: 710-DC2798A_REV02
			SHEET 1 OF 2	

ALL PARTS ON THIS PAGE ARE FOR DEMO ONLY, NOT NEEDED IN CUSTOMER DESIGN



PCA ADDITIONAL PARTS

MP1	STANDOFF,NYLON,SNAP-ON,0.625 (5/8"),15.9mm
MP2	STANDOFF,NYLON,SNAP-ON,0.625 (5/8"),15.9mm
MP3	STANDOFF,NYLON,SNAP-ON,0.625 (5/8"),15.9mm
MP4	STANDOFF,NYLON,SNAP-ON,0.625 (5/8"),15.9mm
LB1	LABEL SPEC, DEMO BOARD SERIAL NUMBER
PCB1	PCB, DC2798A REV02
STNCL1	TOOL, STENCIL, 700-DC2798A REV02

CUSTOMER NOTICE

ANALOG DEVICES HAS MADE A BEST EFFORT TO DESIGN A CIRCUIT THAT MEETS CUSTOMER-SUPPLIED SPECIFICATIONS; HOWEVER, IT REMAINS THE CUSTOMER'S RESPONSIBILITY TO VERIFY PROPER AND RELIABLE OPERATION IN THE ACTUAL APPLICATION. COMPONENT SUBSTITUTION AND PRINTED CIRCUIT BOARD LAYOUT MAY SIGNIFICANTLY AFFECT CIRCUIT PERFORMANCE OR RELIABILITY. CONTACT ANALOG DEVICES APPLICATIONS ENGINEERING FOR ASSISTANCE.

THIS CIRCUIT IS PROPRIETARY TO ANALOG DEVICES AND SUPPLIED FOR USE WITH ANALOG DEVICES PARTS.

APPROVALS

PCB DES.	LT
APP ENG.	XC



www.analog.com



Phone: (408)432-1900

TITLE: SCHEMATIC	
60V DUAL PHASE SINGLE OUTPUT SYNCHRONOUS BOOST CONTROLLER WITH PMBUS	
IC NO. LTC7841UHE	SCHEMATIC NO. AND REVISION: 710-DC2798A_REV02
SKU NO. DC2798A	
SIZE: N/A	DATE: 11-18-19
SHEET 2 OF 2	