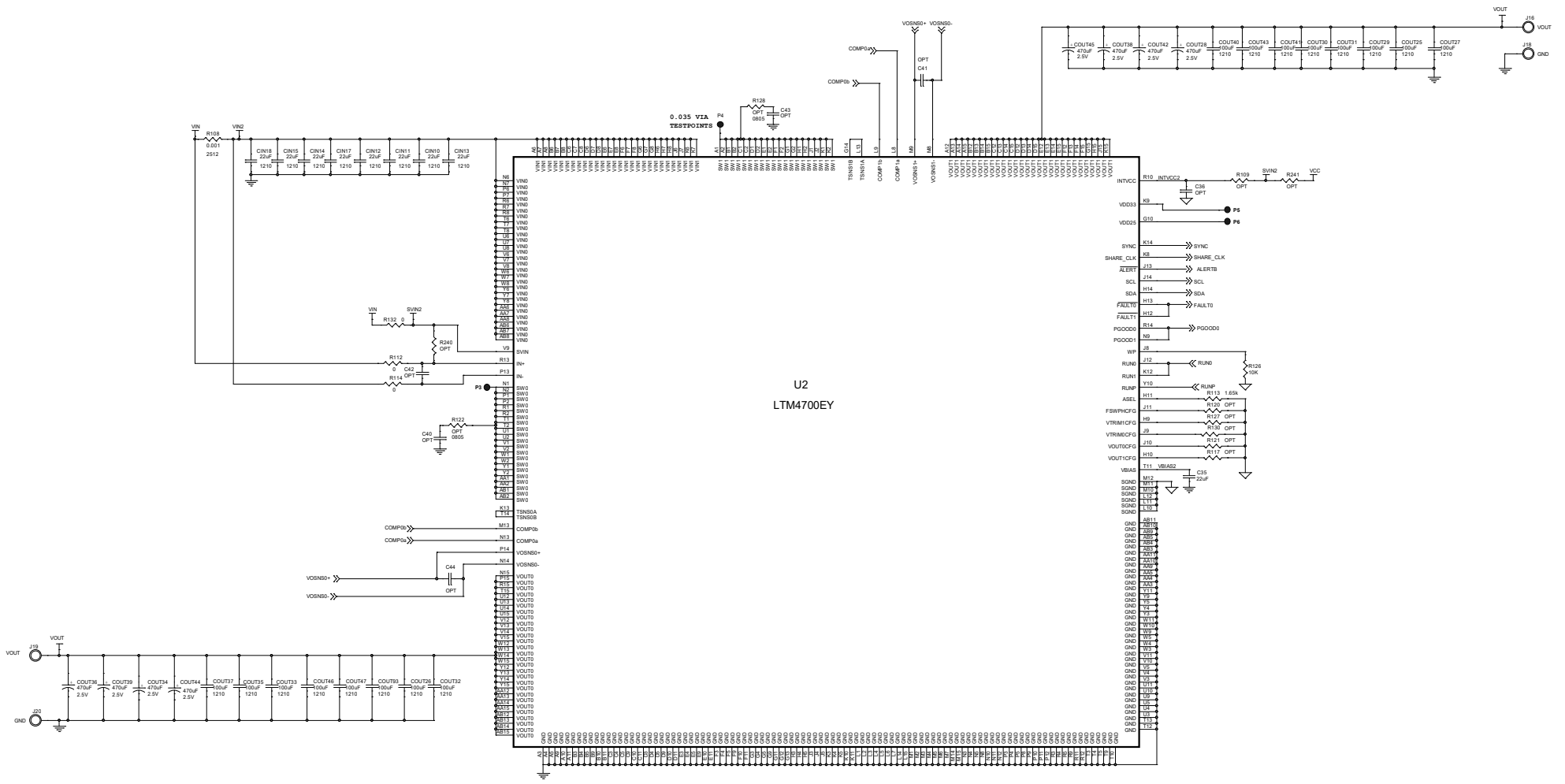


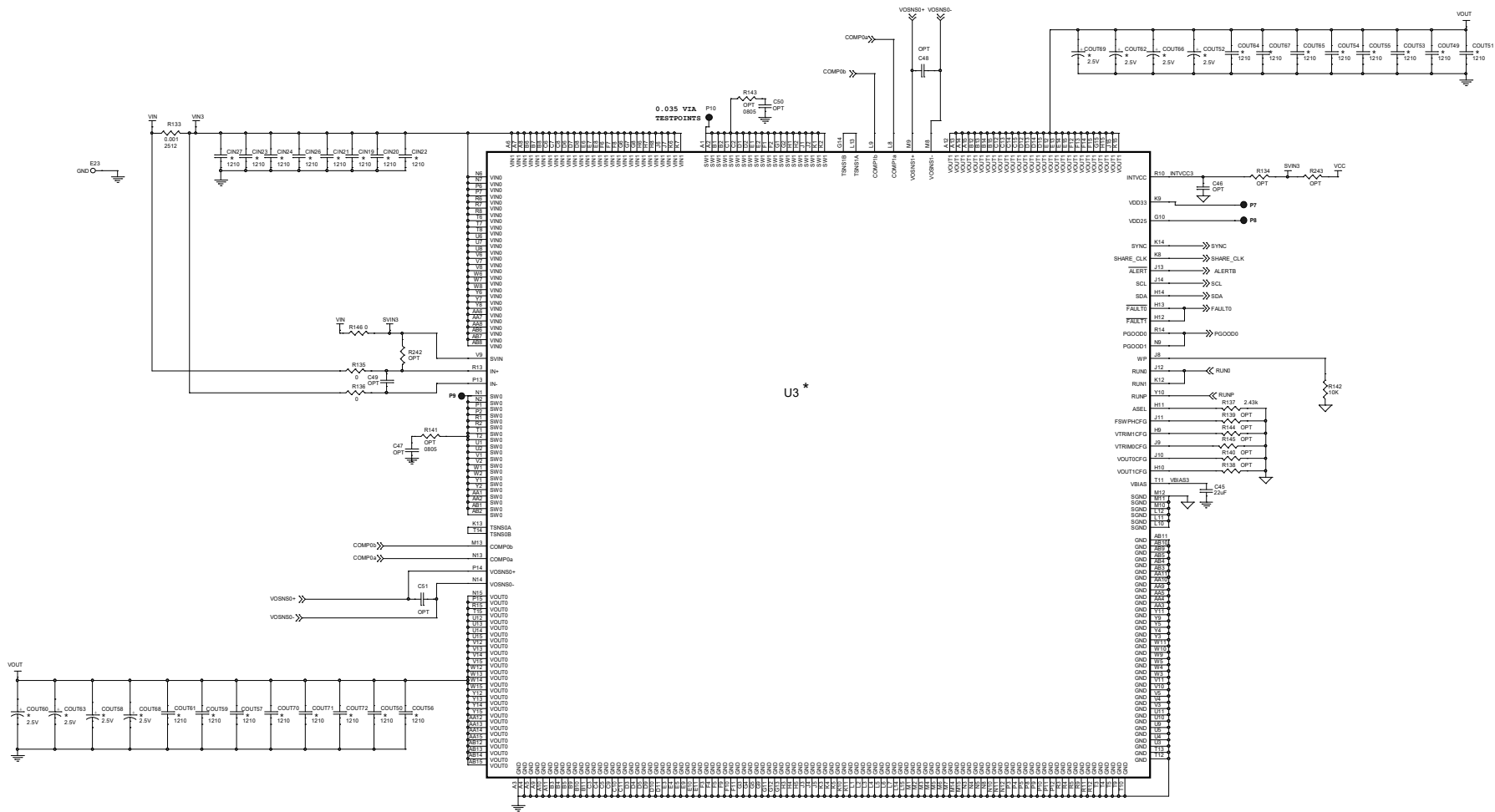
ASSY	U3	U4	C14	C15	COUT61,COUT59,COUT57,COUT70,COUT71,COUT72,COUT50,COUT56,COUT64,COUT67,COUT65,COUT55,COUT54,COUT53,COUT51,COUT49	COUT73,COUT94,COUT92,COUT82,COUT83,COUT84,COUT86,COUT48,CIN19,CIN20,CIN21,CIN22,CIN23,CIN24,CIN26,CIN27	CIN28,CIN29,CIN30,CIN31,CIN32,CIN34,CIN35,CIN36	COUT52,COUT58,COUT60,COUT62,COUT63,COUT85,COUT86,COUT68,COUT69	COUT74,COUT75,COUT78,COUT80,COUT81,COUT88,COUT95,COUT96
-A	OPT	OPT	OPT	15nF	OPT	OPT	OPT	OPT	OPT
-B	LTM4700	OPT	OPT	22nF	100uF	100uF	22uF	470uF	OPT
-C	LTM4700	LTM4700	560pF	10nF	100uF	100uF	22uF	470uF	470uF

NOTE: UNLESS OTHERWISE SPECIFIED
 1. ALL RESISTORS AND CAP ARE 0603.
 2. WHEN VIN < 5.75V, CHANGE R6,R109,R134,R160 = 0 OHM

CUSTOMER NOTICE		APPROVALS	
ANALOG DEVICES HAS MADE BEST EFFORTS TO DESIGN A CIRCUIT THAT MEETS CUSTOMER SUPPLIER SPECIFICATIONS. HOWEVER, IT REMAINS THE CUSTOMER'S RESPONSIBILITY TO VERIFY PROPER AND RELIABLE OPERATION IN THE ACTUAL APPLICATION. CONFORMITÄT ZUR BESTMÜGLICHEN LEISTUNG BEI ANWENDUNG VON ANSCHLÜSSEN, DIE NICHT VORGESEHEN SIND, KANN ZU UNTERSCHIEDLICHEN NIVEAUS VON LEISTUNG UND ZU UNTERSCHIEDLICHEN NIVEAUS VON ZUVERLÄSSIGKEIT FÜHREN. FÜR WEITERE INFORMATIONEN ÜBER ANWENDUNGSSPEZIFISCHE ANFORDERUNGEN WENDE SICH AN ANSCHLIESSENDE ANFORDERUNGEN FÜR ANSCHLIESSENDE ANFORDERUNGEN.		PCB DES.	LT
		APP ENG.	SG
TITLE: SCHEMATIC HIGH CURRENT POLYPHASE STEP-DOWN POWER uMODULE SUPPLY WITH DIGITAL POWER MANAGEMENT			
IC NO. LTM4700EY		SCHEMATIC NO. AND REVISION:	
SKU NO. DC27848(A,B,C)		710-DC27848(A,B,C)_REV01	
SIZE: NONE		DATE: Monday, July 26, 2021	
THIS CIRCUIT IS PROPRIETARY TO ANALOG DEVICES AND SUPPLIED FOR USE WITH ANALOG DEVICES PARTS.		SHEET 1 OF 6	

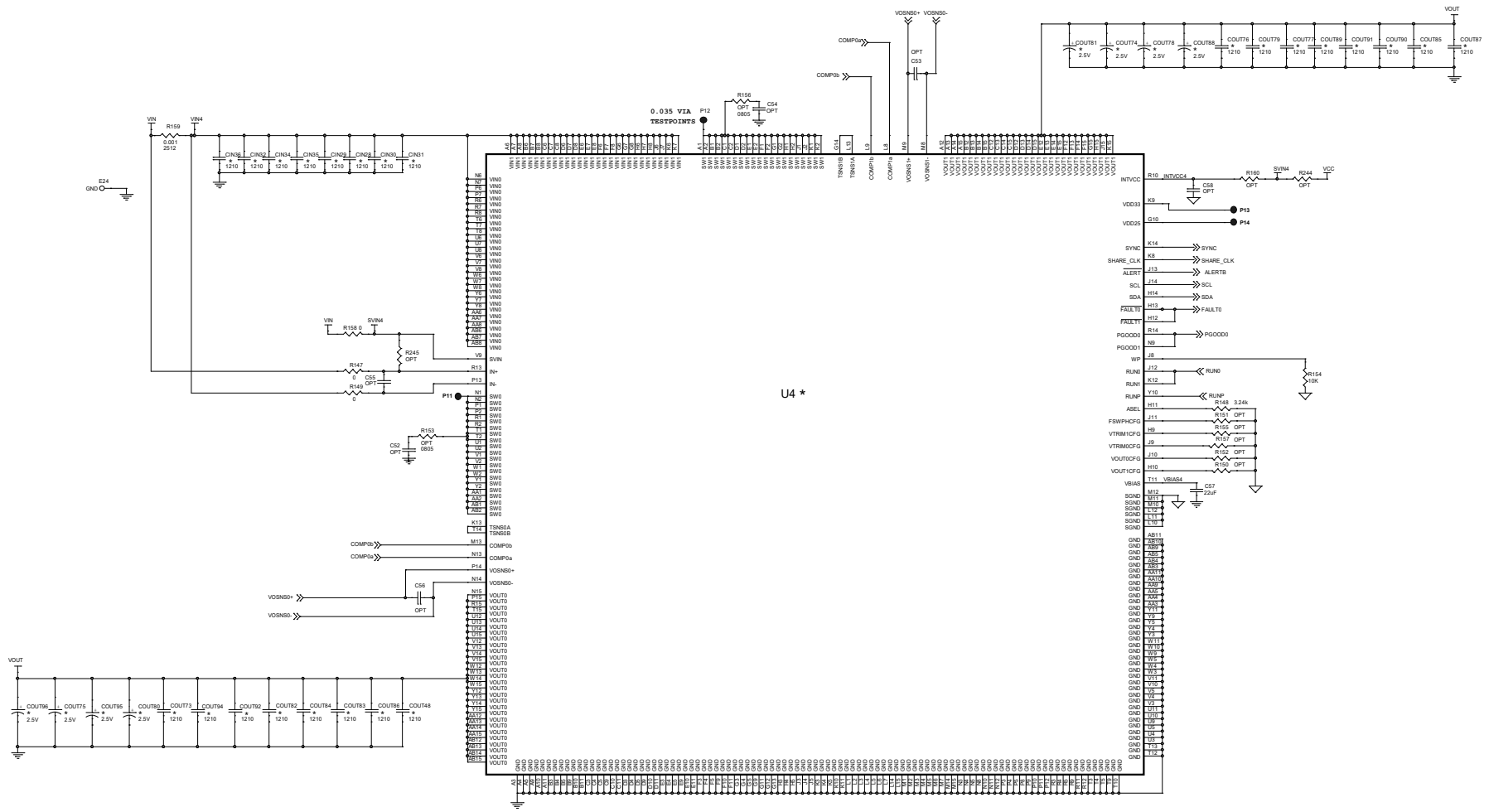


CUSTOMER NOTICE ANALOG DEVICES HAS MADE BEST EFFORTS TO DESIGN A CIRCUIT THAT MEETS CUSTOMER SUPPLIER SPECIFICATIONS. HOWEVER, IT REMAINS THE CUSTOMER'S RESPONSIBILITY TO VERIFY PROPER AND RELIABLE OPERATION IN THE ACTUAL APPLICATION. CONSULT DISTRIBUTION AND POWER DESIGNER FOR DESIGN GUIDANCE. CONTACT ANALOG DEVICES FOR SUPPORT AND RELIABILITY. CONTACT ANALOG DEVICES APPLICATIONS ENGINEERING FOR ASSISTANCE.	APPROVALS		TITLE: SCHEMATIC HIGH CURRENT POLYPHASE STEP-DOWN POWER uMODULE SUPPLY WITH DIGITAL POWER MANAGEMENT IC NO. LTM4700EY SKU NO. DC27848(A,B,C) SCHEMATIC NO. AND REVISION: 710-DC27848(A,B,C)_REV01	
	PCB DES. LT			APPENG. SG
	THIS CIRCUIT IS PROPRIETARY TO ANALOG DEVICES AND SUPPLIED FOR USE WITH ANALOG DEVICES PARTS.			
SIZE: NONE DATE: Monday, July 26, 2021		SHEET 2 OF 6		



U3 *

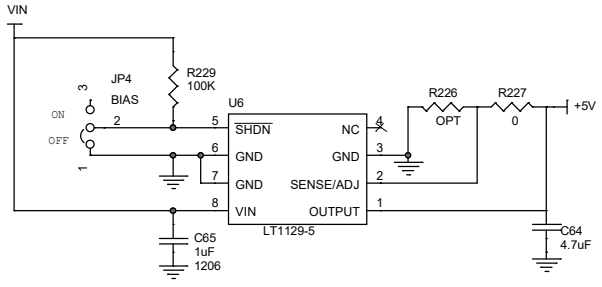
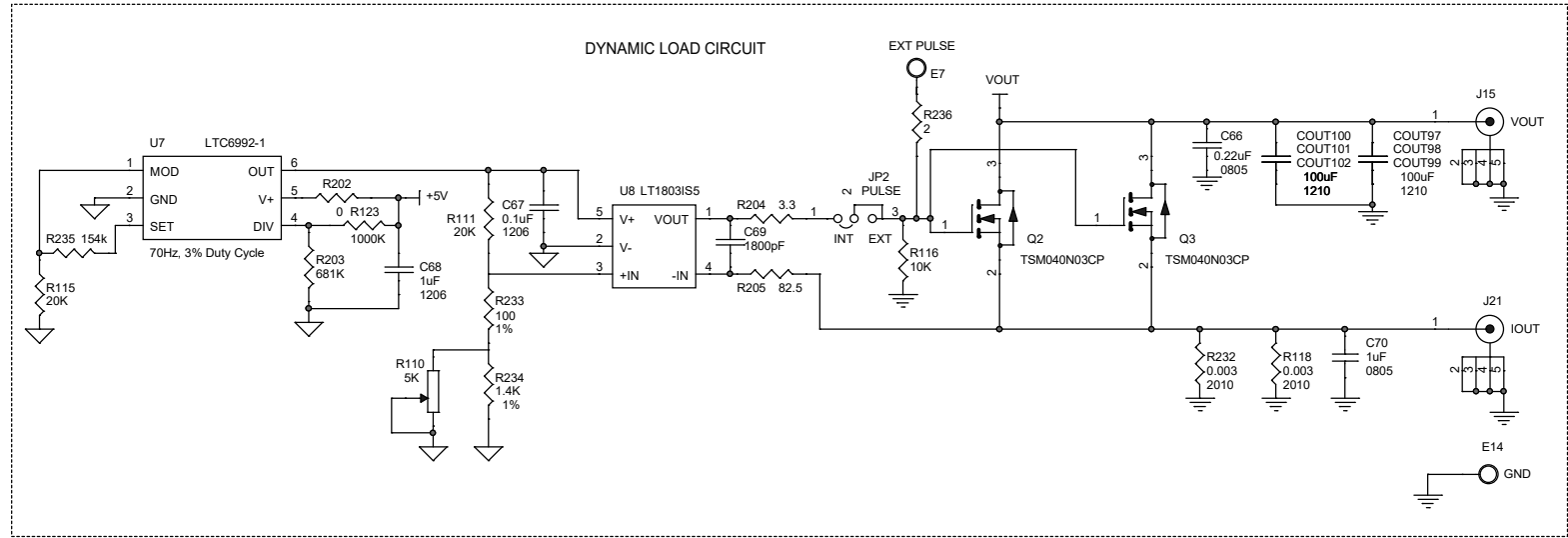
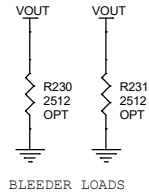
CUSTOMER NOTICE <small>ANALOG DEVICES HAS MADE BEST EFFORTS TO DESIGN A CIRCUIT THAT MEETS CUSTOMER SUPPLIER SPECIFICATIONS. HOWEVER, IT REMAINS THE CUSTOMER'S RESPONSIBILITY TO VERIFY PROPER AND RELIABLE OPERATION IN THE ACTUAL APPLICATION. CONTACT ANALOG DEVICES IMMEDIATELY IF YOU ENCOUNTER ANY ISSUES RELATED TO PERFORMANCE OR RELIABILITY. CONTACT ANALOG DEVICES APPLICATIONS ENGINEERING FOR ASSISTANCE.</small>		APPROVALS PCB DES. LT APPR. SG		
<small>THIS CIRCUIT IS PROPRIETARY TO ANALOG DEVICES AND SUPPLIED FOR USE WITH ANALOG DEVICES PARTS.</small>				
TITLE SCHEMATIC HIGH CURRENT POLYPHASE STEP-DOWN POWER MODULE SUPPLY WITH DIGITAL POWER MANAGEMENT		IC NO. LTM4700EY SKU NO. DC27848(A,B,C)		SCHEMATIC NO. AND REVISION: 710-DC27848(A,B,C)_REV01
<small>SIZE: NONE</small>		<small>DATE: Monday, July 26, 2021</small>		<small>SHEET 3 OF 6</small>



U4 *

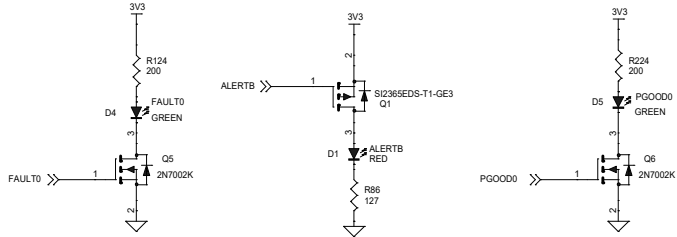
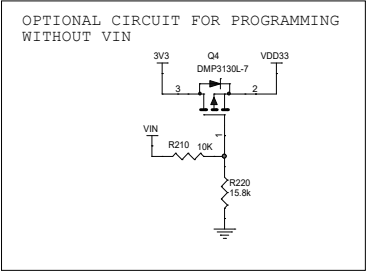
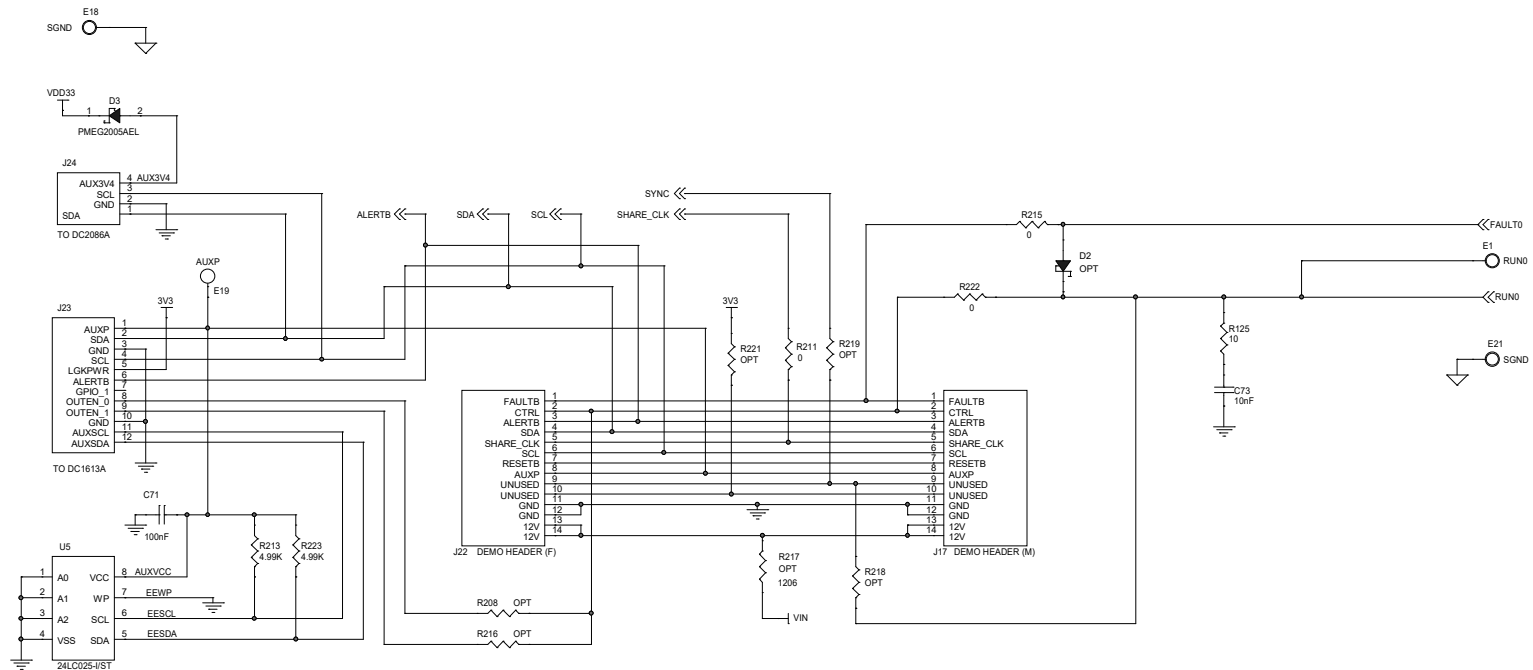
CUSTOMER NOTICE <small>ANALOG DEVICES HAS MADE A BEST EFFORT TO DESIGN A CIRCUIT THAT MEETS CUSTOMER SUPPLIER SPECIFICATIONS. HOWEVER, IT REMAINS THE CUSTOMER'S RESPONSIBILITY TO VERIFY PROPER AND RELIABLE OPERATION IN THE ACTUAL APPLICATION. CONTACT YOUR DISTRIBUTOR AND POWER DESIGN ENGINEER FOR ASSISTANCE. CONTACT ANALOG DEVICES FOR ASSISTANCE IF YOU EXPERIENCE PERFORMANCE OR RELIABILITY CONCERNS. CONTACT ANALOG DEVICES APPLICATION ENGINEERING FOR ASSISTANCE.</small>	APPROVALS PCB DES: LT APP ENG: SG	 TITLE: SCHEMATIC HIGH CURRENT POLYPHASE STEP-DOWN POWER μMODULE SUPPLY WITH DIGITAL POWER MANAGEMENT IC NO. LTM4700EY SCHEMATIC NO. AND REVISION: SKU NO. DC27848(A,B,C) 710-DC27848(A,B,C)_REV01 SIZE: NONE DATE: Monday, July 26, 2021 SHEET 4 OF 6
	<small>THIS CIRCUIT IS PROPRIETARY TO ANALOG DEVICES AND SUPPLIED FOR USE WITH ANALOG DEVICES PARTS.</small>	

ALL PARTS ON THIS PAGE ARE FOR DEMO ONLY, NOT NEEDED IN CUSTOMER DESIGN



<p>CUSTOMER NOTICE</p> <p>ANALOG DEVICES HAS MADE A BEST EFFORT TO DESIGN A CIRCUIT THAT MEETS CUSTOMER-SUPPLIED SPECIFICATIONS; HOWEVER, IT REMAINS THE CUSTOMER'S RESPONSIBILITY TO VERIFY PROPER AND RELIABLE OPERATION IN THE ACTUAL APPLICATION. COMPONENT SUBSTITUTION AND PRINTED CIRCUIT BOARD LAYOUT MAY SIGNIFICANTLY AFFECT CIRCUIT PERFORMANCE OR RELIABILITY. CONTACT ANALOG DEVICES APPLICATIONS ENGINEERING FOR ASSISTANCE.</p>	<p>APPROVALS</p>		
	<p>PCB DES. LT</p> <p>APP ENG. SG</p>	<p>TITLE: SCHEMATIC</p> <p>HIGH CURRENT POLYPHASE STEP-DOWN POWER μMODULE SUPPLY WITH DIGITAL POWER MANAGEMENT</p>	
<p>THIS CIRCUIT IS PROPRIETARY TO ANALOG DEVICES AND SUPPLIED FOR USE WITH ANALOG DEVICES PARTS.</p>	<p>IC NO. LTM4700EY</p> <p>SKU NO. DC2784B(A,B,C)</p>	<p>SCHEMATIC NO. AND REVISION:</p> <p>710-DC2784B(A,B,C)_REV01</p>	
	<p>SIZE: NONE</p>	<p>DATE: Monday, July 26, 2021</p>	<p>SHEET 5 OF 6</p>

ALL PARTS ON THIS PAGE ARE FOR DEMO ONLY, NOT NEEDED IN CUSTOMER DESIGN



CUSTOMER NOTICE		APPROVALS		 www.analog.com
ANALOG DEVICES HAS MADE A BEST EFFORT TO DESIGN A CIRCUIT THAT MEETS CUSTOMER-SUPPLIED SPECIFICATIONS. HOWEVER, IT REMAINS THE CUSTOMER'S RESPONSIBILITY TO VERIFY PROPER AND RELIABLE OPERATION IN THE ACTUAL APPLICATION. COMPONENT SUBSTITUTION AND PRINTED CIRCUIT BOARD LAYOUT MAY SIGNIFICANTLY AFFECT CIRCUIT PERFORMANCE OR RELIABILITY. CONTACT ANALOG DEVICES APPLICATIONS ENGINEERING FOR ASSISTANCE.		PCR DES.	LT	
		APP ENG.	SG	
		TITLE: SCHEMATIC HIGH CURRENT POLYPHASE STEP-DOWN POWER uMODULE SUPPLY WITH DIGITAL POWER MANAGEMENT		
		IC NO. LTM4700EY SKU NO. DC2784B(A,B,C)	SCHEMATIC NO. AND REVISION: 710-DC2784B(A,B,C)_REV01	
THIS CIRCUIT IS PROPRIETARY TO ANALOG DEVICES AND SUPPLIED FOR USE WITH ANALOG DEVICES PARTS.		SIZE: NONE DATE: Monday, July 26, 2021	SHEET 6 OF 6	