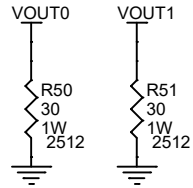


NOTE: UNLESS OTHERWISE SPECIFIED
 1. ALL RESISTORS AND CAP ARE 0603.
 2. WHEN VIN < 5.75V, SHORT INTVCC TO SVIN WITH R3=0 OHM

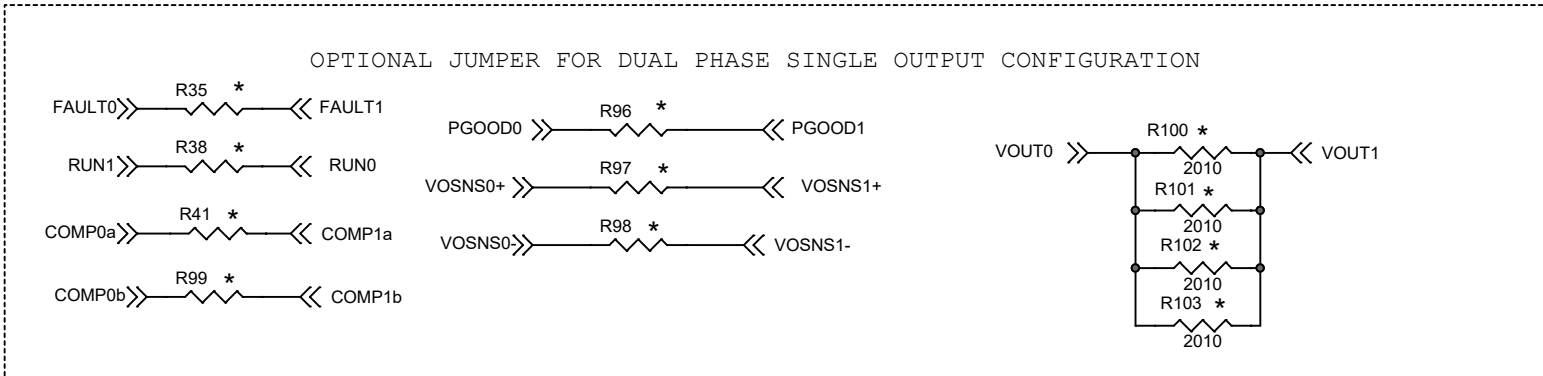
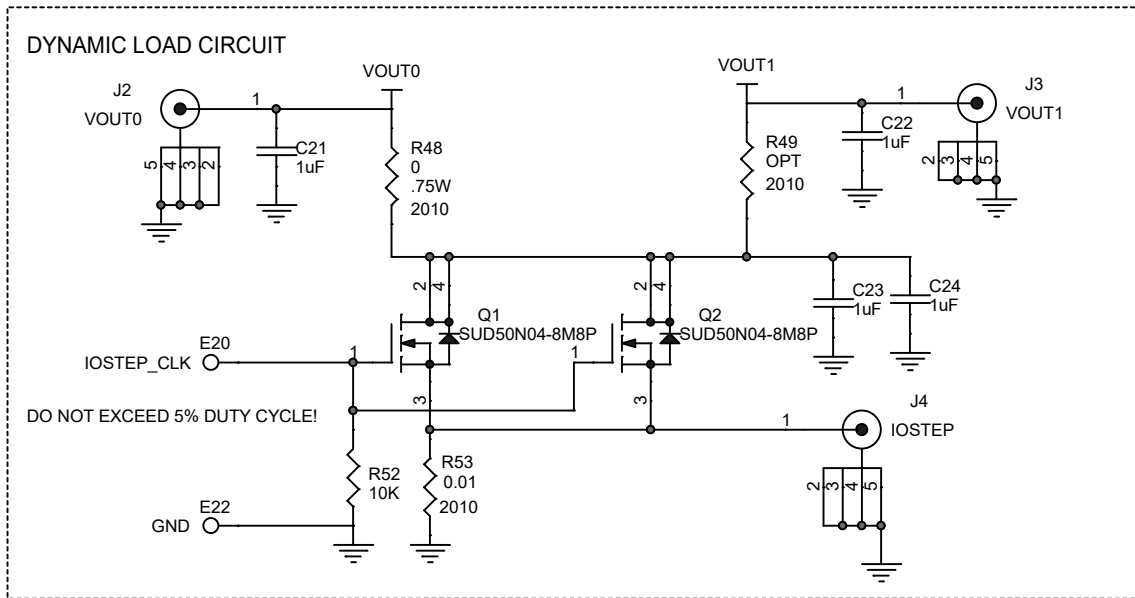
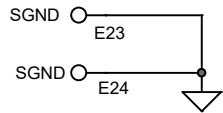
| ASSY | R28,R35,R38,R41,R96,R97,R98,R99 | R100,R101,R102,R103 | R93, R3 | C2 | R31 |
|------|---------------------------------|---------------------|---------|-------|-------|
| -A | OPT | OPT | 10 OHM | 6.8nF | 4.22K |
| -B | 0 OHM | 0 OHM | OPT | OPT | 2.43K |

| | | |
|---|--|--|
| CUSTOMER NOTICE ANALOG DEVICES HAS MADE A GENUINE EFFORT TO DESIGN A PRODUCT THAT MEETS CUSTOMER SUPPLIED SPECIFICATIONS. HOWEVER, IT REMAINS THE CUSTOMER'S RESPONSIBILITY TO PROVIDE ACCURATE AND RELIABLE INFORMATION IN THE APPLICATION. COMPONENT SUBSTITUTION AND PRINTED CIRCUIT BOARD LAYOUT ARE UNWARRANTED ASPECTS OF CUSTOMER PERFORMANCE OR RELIABILITY. CONTACT ANALOG DEVICES APPLICATION ENGINEERING FOR ASSISTANCE. | APPROVALS PCB DES: LT APP ENG: SG | TITLE: SCHEMATIC DUAL 50A OR SINGLE 100A UMODULE REGULATOR WITH DIGITAL POWER MANAGEMENT IC NO. LTM4700EY SKU NO. DC2702B(A,B) SCHEMATIC NO. AND REVISION: 710-DC2702B(A,B)_REV01 THIS CIRCUIT IS PROPRIETARY TO ANALOG DEVICES AND SUPPLIED FOR USE WITH ANALOG DEVICES PARTS. SIZE: NONE DATE: Friday, July 23, 2021 SHEET 1 OF 3 |
| | ANALOG DEVICES www.analog.com | |

ALL PARTS ON THIS PAGE ARE FOR DEMO ONLY, NOT NEEDED IN CUSTOMER DESIGN




BLEEDER LOADS




CUSTOMER NOTICE
 ANALOG DEVICES HAS MADE A BEST EFFORT TO DESIGN A CIRCUIT THAT MEETS CUSTOMER-SUPPLIED SPECIFICATIONS; HOWEVER, IT REMAINS THE CUSTOMER'S RESPONSIBILITY TO VERIFY PROPER AND RELIABLE OPERATION IN THE ACTUAL APPLICATION. COMPONENT SUBSTITUTION AND PRINTED CIRCUIT BOARD LAYOUT MAY SIGNIFICANTLY AFFECT CIRCUIT PERFORMANCE OR RELIABILITY. CONTACT ANALOG DEVICES APPLICATIONS ENGINEERING FOR ASSISTANCE.

THIS CIRCUIT IS PROPRIETARY TO ANALOG DEVICES AND SUPPLIED FOR USE WITH ANALOG DEVICES PARTS.

| APPROVALS | |
|-----------|----|
| PCB DES. | LT |
| APP ENG. | SG |
| | |
| | |
| | |



www.analog.com

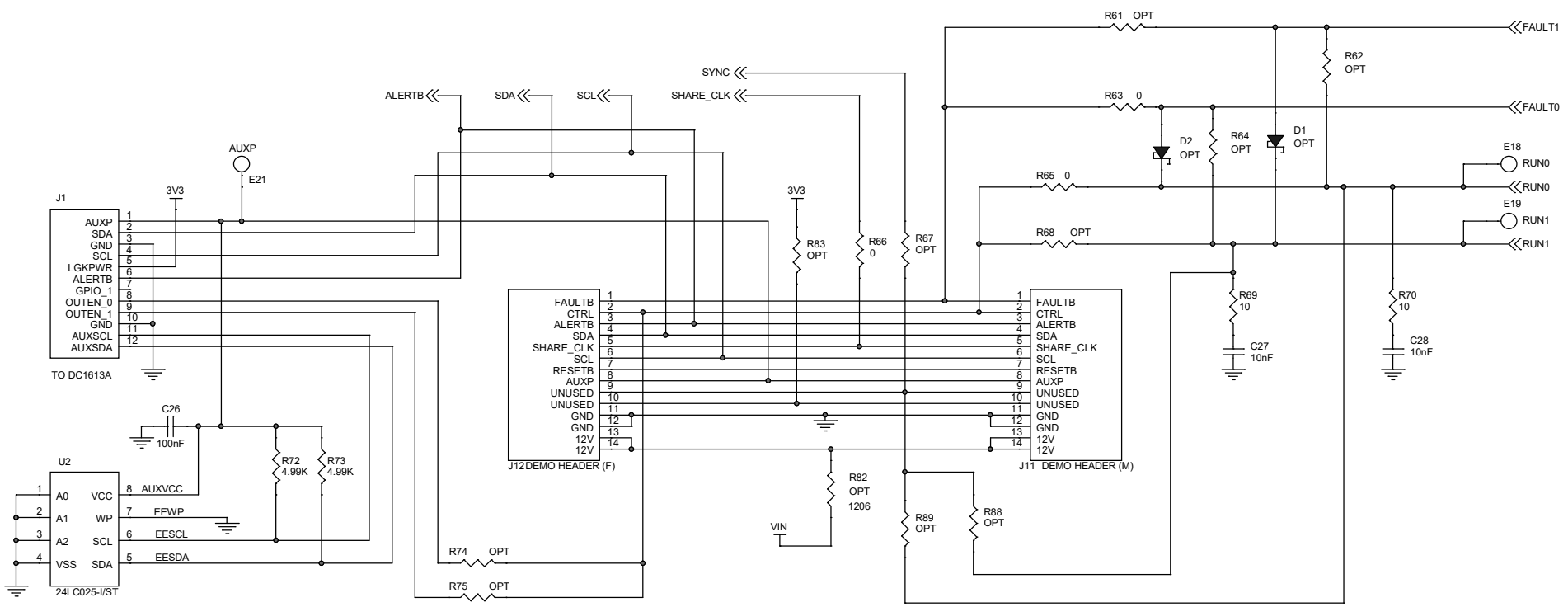


TITLE: SCHEMATIC
DUAL 50A OR SINGLE 100A uMODULE REGULATOR WITH DIGITAL POWER MANAGEMENT

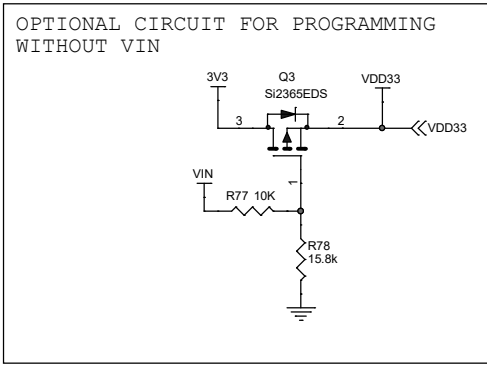
| | |
|-----------------------------|------------------------------------|
| IC NO. LTM4700EY | SCHEMATIC NO. AND REVISION: |
| SKU NO. DC2702B(A,B) | 710-DC2702B(A,B)_REV01 |

| | | |
|-------------------|------------------------------------|----------------------------|
| SIZE: NONE | DATE: Friday, July 23, 2021 | SHEET 2 OF 3 |
|-------------------|------------------------------------|----------------------------|

ALL PARTS ON THIS PAGE ARE FOR DEMO BOARD ONLY, NOT NEEDED IN CUSTOMER DESIGN



PSM STACKING CONNECTORS:
 J12, FEMALE, CONN RECEPT 2MM DUAL R/A 14POS, Sullins Conn. NPPN072FJFN-RC
 J11, MALE, CONN HEADER 14POS 2MM R/A GOLD, Molex Connector Corp. 87760-1416



| | | | |
|---|-----------------------------|---|------------------------------------|
| <p>CUSTOMER NOTICE</p> <p>ANALOG DEVICES HAS MADE A BEST EFFORT TO DESIGN A CIRCUIT THAT MEETS CUSTOMER-SUPPLIED SPECIFICATIONS; HOWEVER, IT REMAINS THE CUSTOMER'S RESPONSIBILITY TO VERIFY PROPER AND RELIABLE OPERATION IN THE ACTUAL APPLICATION. COMPONENT SUBSTITUTION AND PRINTED CIRCUIT BOARD LAYOUT MAY SIGNIFICANTLY AFFECT CIRCUIT PERFORMANCE OR RELIABILITY. CONTACT ANALOG DEVICES APPLICATIONS ENGINEERING FOR ASSISTANCE.</p> | <p>APPROVALS</p> | | <p>www.analog.com</p> |
| | <p>PCB DES. LT</p> | <p>APP ENG. SG</p> | |
| <p>THIS CIRCUIT IS PROPRIETARY TO ANALOG DEVICES AND SUPPLIED FOR USE WITH ANALOG DEVICES PARTS.</p> | <p>IC NO. LTM4700EY</p> | <p>SCHEMATIC NO. AND REVISION:</p> <p>710-DC2702B(A,B)_REV01</p> | |
| | <p>SKU NO. DC2702B(A,B)</p> | <p>SIZE: NONE</p> | <p>DATE: Friday, July 23, 2021</p> |
| | | <p>SHEET 3 OF 3</p> | |