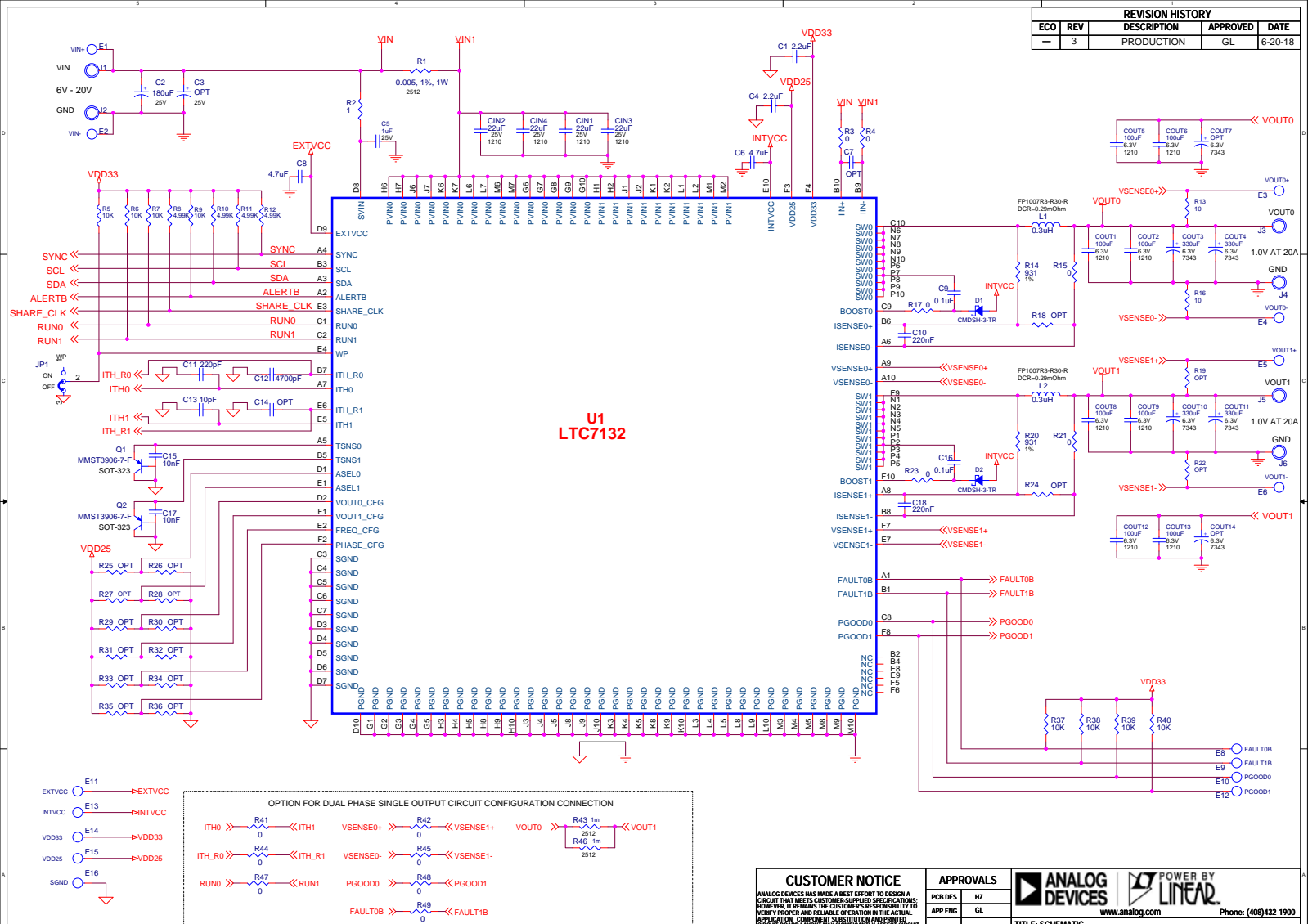
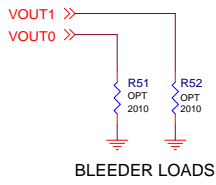


REVISION HISTORY				
ECO	REV	DESCRIPTION	APPROVED	DATE
-	3	PRODUCTION	GL	6-20-18

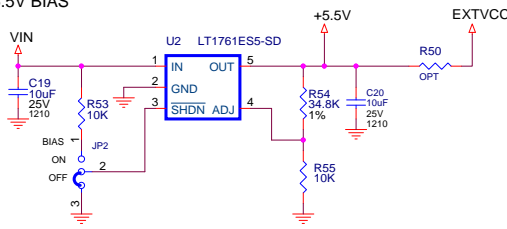


NOTE: UNLESS OTHERWISE SPECIFIED  
 1. ALL RESISTORS ARE IN OHMS, 0603  
 2. ALL CAPACITORS ARE IN MICROFARADS, 0603.

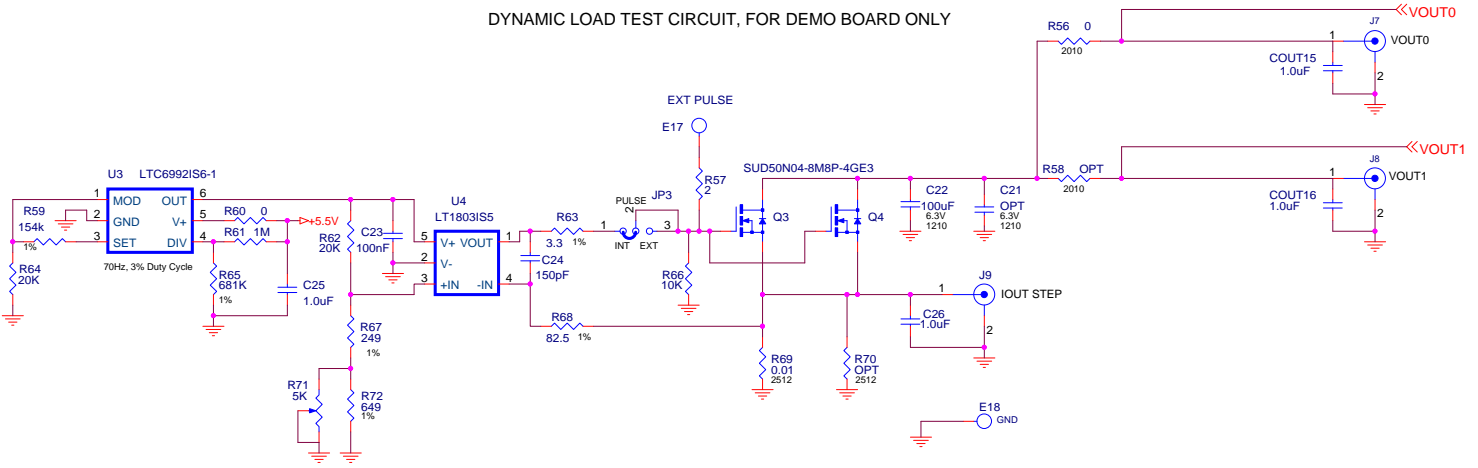
<b>CUSTOMER NOTICE</b> <small>ANALOG DEVICES HAS MADE A BEST EFFORT TO DESIGN A CIRCUIT THAT MEETS CUSTOMER-SUPPLIED SPECIFICATIONS. HOWEVER, IT REMAINS THE CUSTOMER'S RESPONSIBILITY TO VERIFY PROPER AND RELIABLE OPERATION IN THE ACTUAL APPLICATION. COMPONENT SUBSTITUTION AND PRINTED CIRCUIT BOARD LAYOUT MAY SIGNIFICANTLY AFFECT CIRCUIT PERFORMANCE OR RELIABILITY. CONTACT ANALOG DEVICES APPLICATIONS ENGINEERING FOR ASSISTANCE.</small>	<b>APPROVALS</b> PCB DES. HZ APP ENG. GL	 www.analog.com Phone: (408)432-1900	
	<b>TITLE: SCHEMATIC</b> <b>DUAL OUTPUT MONOLITHIC PSM BUCK CONVERTER</b>		
	IC NO. LTC7132ZY SKU NO. DC 2666A-B SIZE: N/A		SCHEMATIC NO. AND REVISION: <b>DC2666A_REV03</b> DATE: 6-20-18



OPTIONAL 5.5V BIAS



DYNAMIC LOAD TEST CIRCUIT, FOR DEMO BOARD ONLY



**CUSTOMER NOTICE**

ANALOG DEVICES HAS MADE A BEST EFFORT TO DESIGN A CIRCUIT THAT MEETS CUSTOMER-SUPPLIED SPECIFICATIONS; HOWEVER, IT REMAINS THE CUSTOMER'S RESPONSIBILITY TO VERIFY PROPER AND RELIABLE OPERATION IN THE ACTUAL APPLICATION. COMPONENT SUBSTITUTION AND PRINTED CIRCUIT BOARD LAYOUT MAY SIGNIFICANTLY AFFECT CIRCUIT PERFORMANCE OR RELIABILITY. CONTACT ANALOG DEVICES APPLICATIONS ENGINEERING FOR ASSISTANCE.

THIS CIRCUIT IS PROPRIETARY TO ANALOG DEVICES AND SUPPLIED FOR USE WITH ANALOG DEVICES PARTS.

APPROVALS	
PCB DES.	HZ
APP ENG.	GL

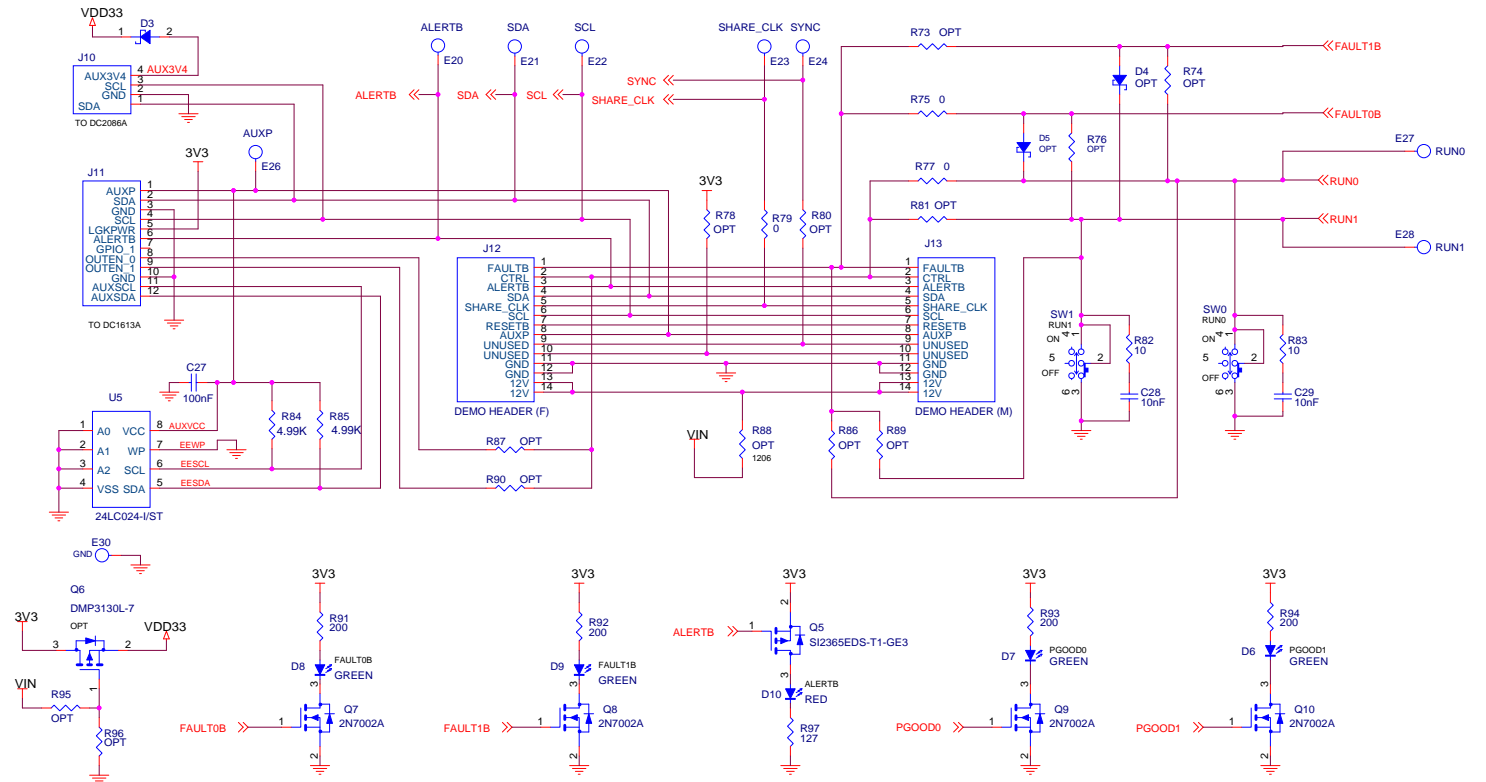
**ANALOG DEVICES** | **POWER BY LINEAR**

www.analog.com Phone: (408)432-1900

TITLE: SCHEMATIC	
DUAL OUTPUT MONOLITHIC PSM BUCK CONVERTER	
IC NO. LTC71321Y	SCHEMATIC NO. AND REVISION:
SKU NO. DC 2666A-B	DC2666A_REV03
SIZE: N/A	DATE: 6-20-18
	SHEET 2 OF 3

HZ  
GL

ALL PARTS ON THIS PAGE ARE FOR DEMO BOARD ONLY, NOT NEEDED IN CUSTOMER DESIGN



CUSTOMER NOTICE		APPROVALS		ANALOG DEVICES	POWER BY LINEAR
ANALOG DEVICES HAS MADE A BEST EFFORT TO DESIGN A CIRCUIT THAT MEETS CUSTOMER-SUPPLIED SPECIFICATIONS; HOWEVER, IT REMAINS THE CUSTOMER'S RESPONSIBILITY TO VERIFY PROPER AND RELIABLE OPERATION IN THE ACTUAL APPLICATION. COMPONENT SUBSTITUTION AND PRINTED CIRCUIT BOARD LAYOUT MAY SIGNIFICANTLY AFFECT CIRCUIT PERFORMANCE OR RELIABILITY. CONTACT ANALOG DEVICES APPLICATIONS ENGINEERING FOR ASSISTANCE.		PCB DES.	HZ		
THIS CIRCUIT IS PROPRIETARY TO ANALOG DEVICES AND SUPPLIED FOR USE WITH ANALOG DEVICES PARTS.		APP ENG.	GL	TITLE: SCHEMATIC	
				DUAL OUTPUT MONOLITHIC PSM BUCK CONVERTER	
				IC NO. LTC7132IY	SCHEMATIC NO. AND REVISION:
				SKU NO. DC 2666A-B	DC2666A_REV03
		SIZE: N/A	DATE: 6-20-18	SHEET 3 OF 3	