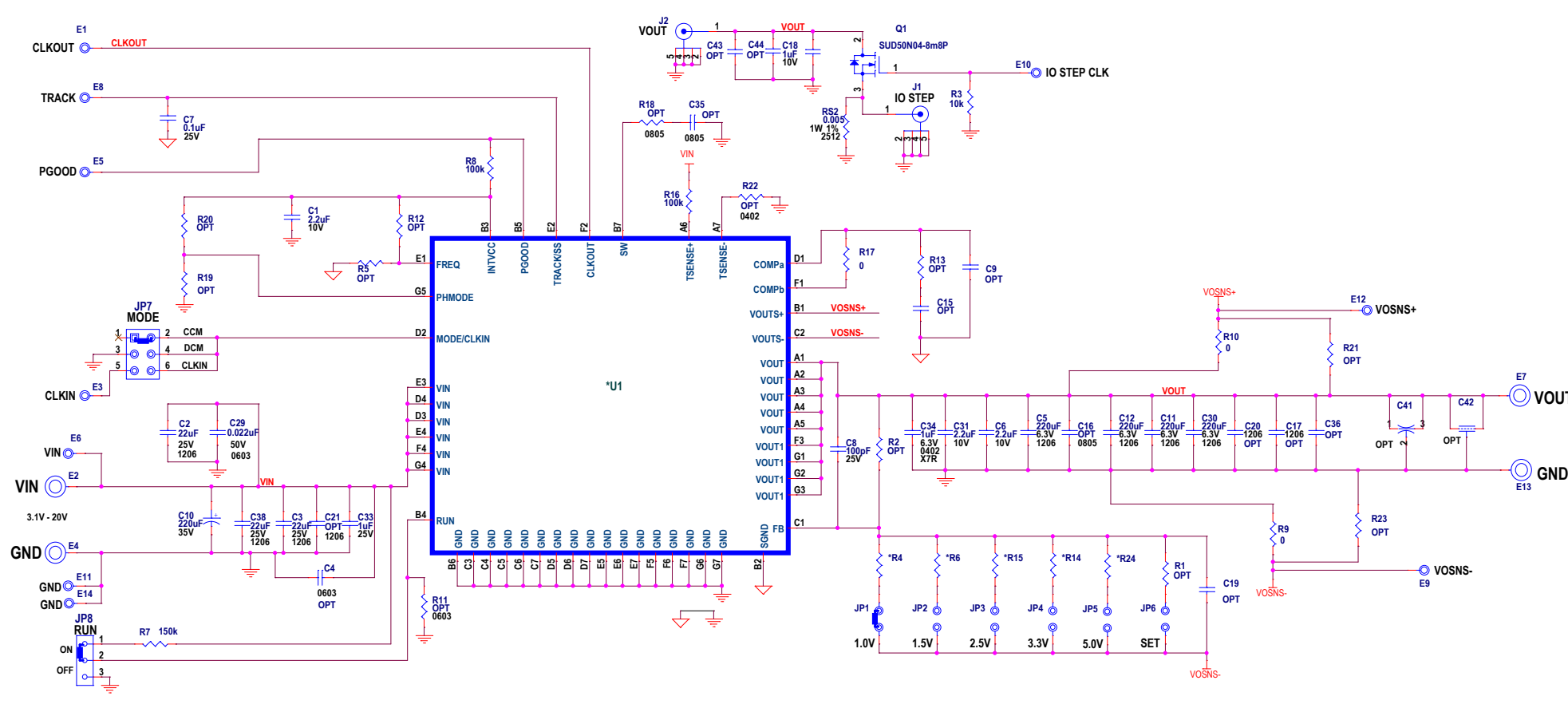
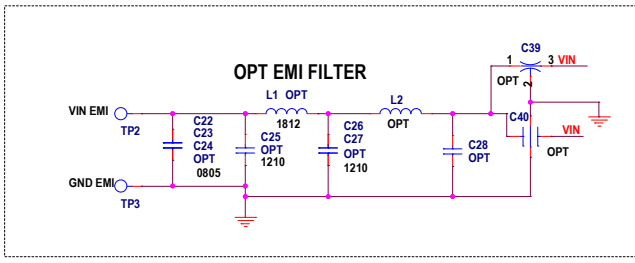


REVISION HISTORY				
ECO	REV	DESCRIPTION	DATE	APPROVED
	01	PRODUCTION	11/15/22	SJ



NOTES: UNLESS OTHERWISE SPECIFIED,
1. ALL RESISTORS AND CAPACITORS ARE 0603.



* VERSION	U1	R4	R6	R15	R14	R24
- A	LTM4626EY#PBF	90.9k	40.2k	19.1k	13.3k	8.25k
- B	LTM4638EY#PBF	90.9k	40.2k	19.1k	13.3k	8.25k
- C	LTM4657EY#PBF	60.4k	31.1k	15k	10.7k	6.65k

<Variant Name>

CUSTOMER NOTICE		APPROVALS	
<p>ANALOG DEVICES HAS MADE A BEST EFFORT TO DESIGN A CIRCUIT THAT MEETS CUSTOMER-SUPPLIED SPECIFICATIONS; HOWEVER, IT REMAINS THE CUSTOMER'S RESPONSIBILITY TO VERIFY PROPER AND RELIABLE OPERATION IN THE ACTUAL APPLICATION. COMPONENT SUBSTITUTION AND PRINTED CIRCUIT BOARD LAYOUT MAY SIGNIFICANTLY AFFECT CIRCUIT PERFORMANCE OR RELIABILITY. CONTACT ANALOG DEVICES APPLICATIONS ENGINEERING FOR ASSISTANCE.</p> <p>THIS CIRCUIT IS PROPRIETARY TO ANALOG DEVICES AND SUPPLIED FOR USE WITH ANALOG DEVICES PARTS.</p>		PCB DES.	AN
		APP ENG.	Sun J.
		<p>IC NO. LTM46XXEY SKU NO. DC2665B</p>	
		<p>SCHEMATIC NO. AND REVISION: 710-DC2665B_REV 01</p>	
		SIZE: N/A	DATE: Tuesday, November 15, 2022
		SHEET 1 OF 1	