

REVISION HISTORY				
ECO	REV	DESCRIPTION	DATE	APPROVED
	3	PRODUCTION	02-22-21	YL

VERSION	U1	R276,R279,R281,R283,R286,R288	R274,R275,R280,R282,R287,R289	R277,R284	R278,R285
- A	LTC3888IUHG	0	OPT	OPT	OPT
- B	LTC3888IUHG-1	OPT	0	31.6K	21K

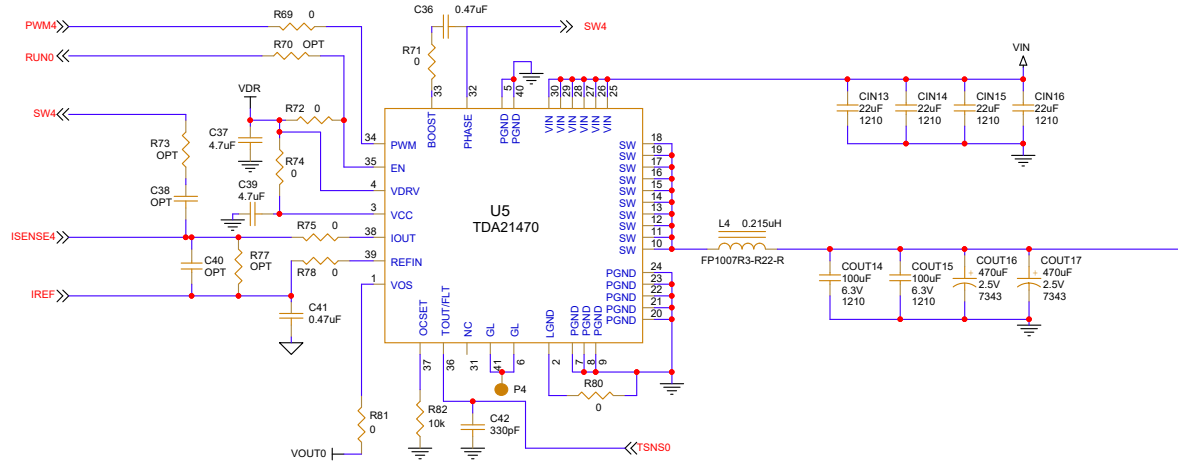
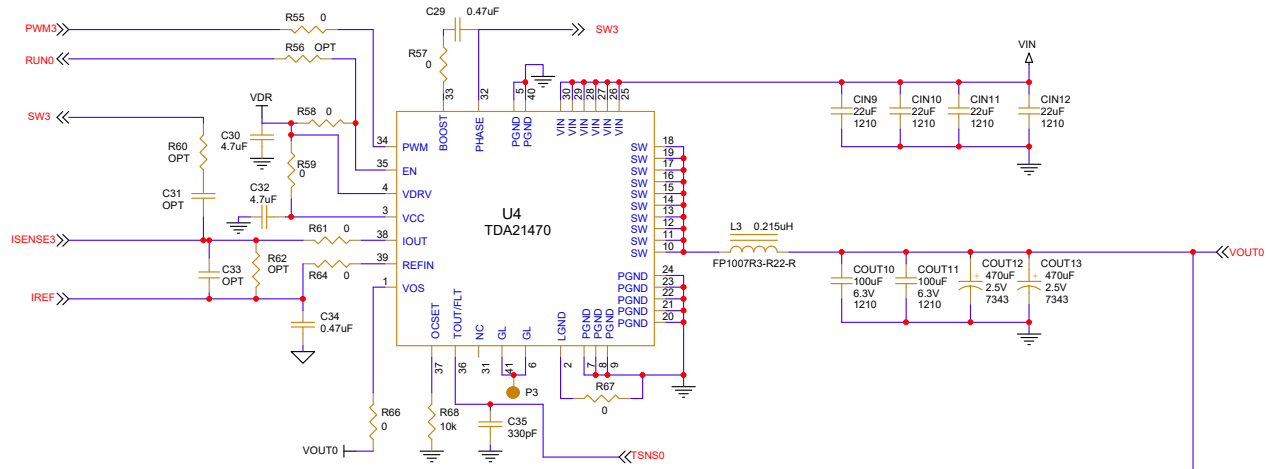
**CUSTOMER NOTICE**  
 ANALOG DEVICES HAS MADE A BEST EFFORT TO DESIGN A CIRCUIT THAT MEETS CUSTOMER-SUPPLIED SPECIFICATIONS; HOWEVER, IT REMAINS THE CUSTOMER'S RESPONSIBILITY TO VERIFY PROPER AND RELIABLE OPERATION IN THE ACTUAL APPLICATION. COMPONENT SUBSTITUTION AND PRINTED CIRCUIT BOARD LAYOUT MAY SIGNIFICANTLY AFFECT CIRCUIT PERFORMANCE OR RELIABILITY. CONTACT ANALOG DEVICES APPLICATIONS ENGINEERING FOR ASSISTANCE.  
 THIS CIRCUIT IS PROPRIETARY TO ANALOG DEVICES AND SUPPLIED FOR USE WITH ANALOG DEVICES PARTS.

APPROVALS	
PCB DES.	LT
APP ENG.	YL

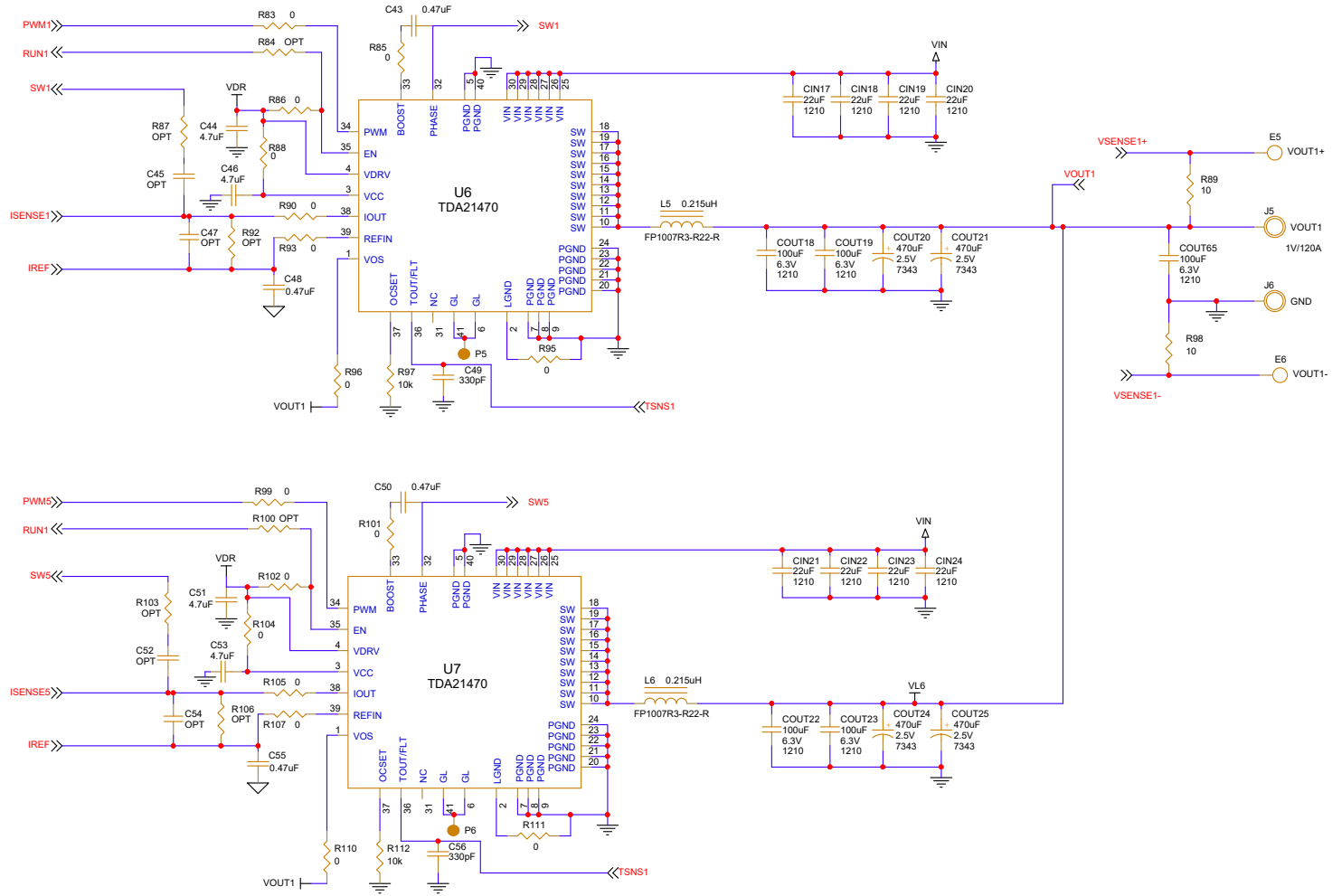
**ANALOG DEVICES**  
 AHEAD OF WHAT'S POSSIBLE™  
 2555 AUGUSTINE DRIVE  
 SANTA CLARA, CA 95054  
 www.analog.com

**TITLE: SCHEMATIC**  
**8-PHASE, DUAL OUTPUT SYNCHRONOUS BUCK CONVERTER WITH POWER SYSTEM MANAGEMENT**

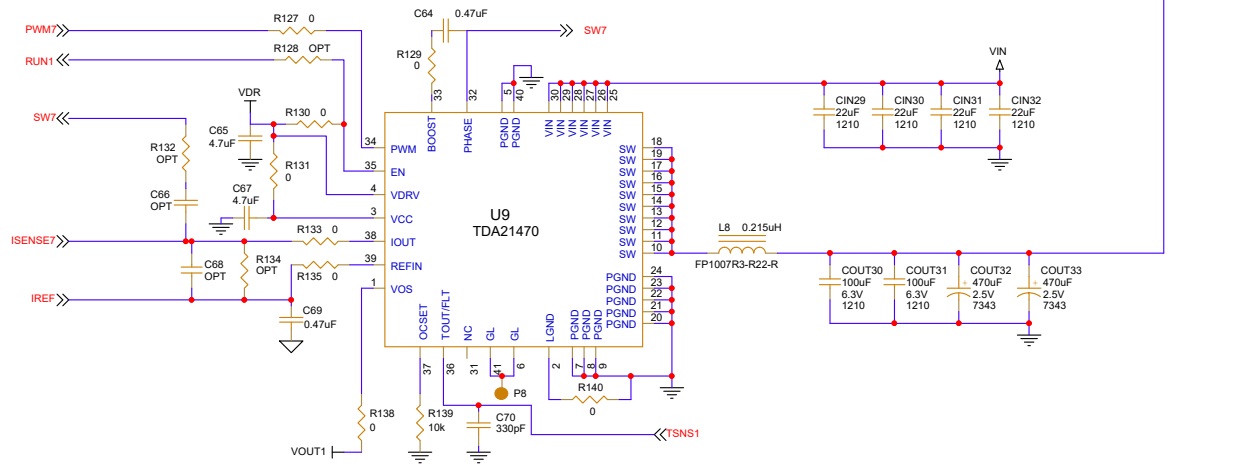
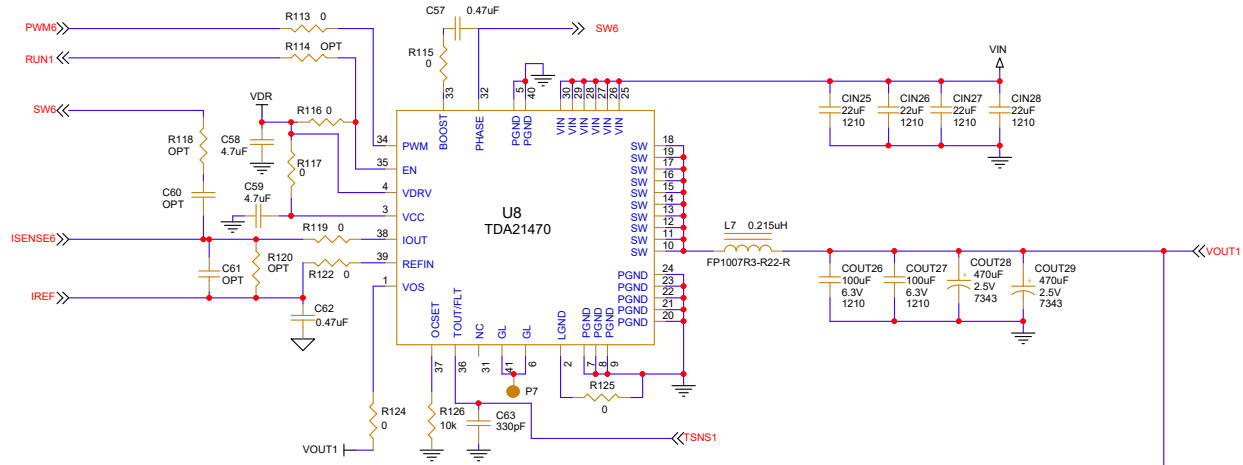
IC NO. LTC3888UHG	SCHEMATIC NO. AND REVISION:
SKU NO. DC2652A	710-DC2652A(A,B)_REV03
SIZE: NA	DATE: Monday, April 11, 2022
	SHEET 1 OF 8




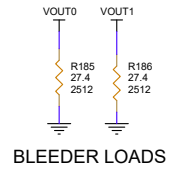
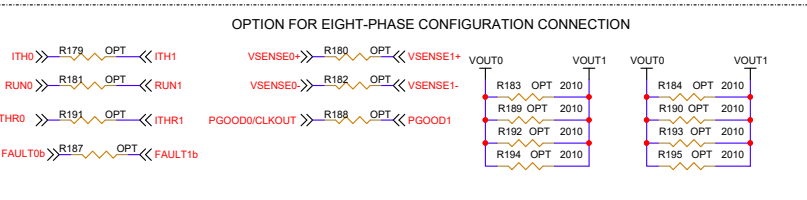
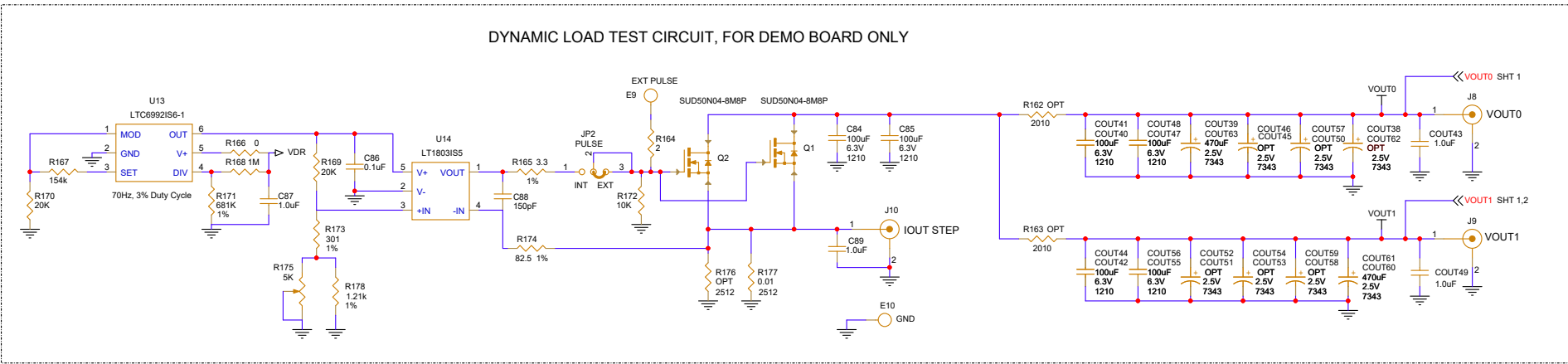
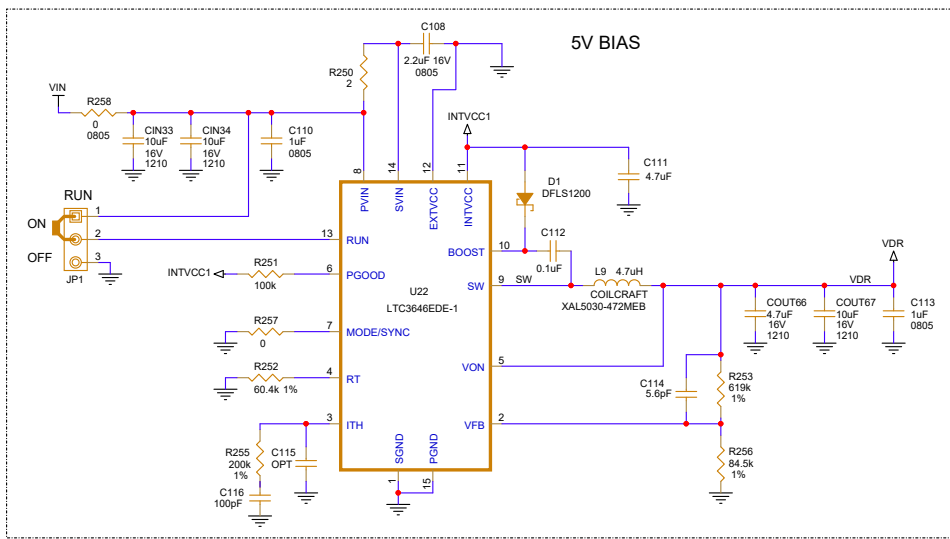
<p><b>CUSTOMER NOTICE</b></p> <p>ANALOG DEVICES HAS MADE A BEST EFFORT TO DESIGN A CIRCUIT THAT MEETS CUSTOMER-SUPPLIED SPECIFICATIONS; HOWEVER, IT REMAINS THE CUSTOMER'S RESPONSIBILITY TO VERIFY PROPER AND RELIABLE OPERATION IN THE ACTUAL APPLICATION. COMPONENT SUBSTITUTION AND PRINTED CIRCUIT BOARD LAYOUT MAY SIGNIFICANTLY AFFECT CIRCUIT PERFORMANCE OR RELIABILITY. CONTACT ANALOG DEVICES APPLICATIONS ENGINEERING FOR ASSISTANCE.</p> <p>THIS CIRCUIT IS PROPRIETARY TO ANALOG DEVICES AND SUPPLIED FOR USE WITH ANALOG DEVICES PARTS.</p>	<p><b>APPROVALS</b></p>		<p><b>ANALOG DEVICES</b> AHEAD OF WHAT'S POSSIBLE™</p> <p>2555 AUGUSTINE DRIVE SANTA CLARA, CA 95054 www.analog.com</p>
	PCB DES.	LT	
	APP ENG.	YL	
	<p><b>TITLE: SCHEMATIC</b></p> <p><b>8-PHASE, DUAL OUTPUT SYNCHRONOUS BUCK CONVERTER WITH POWER SYSTEM MANAGEMENT</b></p>		<p>IC NO. LTC3888UHG SKU NO. DC2652A</p> <p>SCHEMATIC NO. AND REVISION: <b>710-DC2652A(A,B)_REV03</b></p>
	SIZE: N/A	DATE: Monday, April 11, 2022	
	SHEET 2 OF 8		



<p><b>CUSTOMER NOTICE</b></p> <p>ANALOG DEVICES HAS MADE A BEST EFFORT TO DESIGN A CIRCUIT THAT MEETS CUSTOMER-SUPPLIED SPECIFICATIONS; HOWEVER, IT REMAINS THE CUSTOMER'S RESPONSIBILITY TO VERIFY PROPER AND RELIABLE OPERATION IN THE ACTUAL APPLICATION. COMPONENT SUBSTITUTION AND PRINTED CIRCUIT BOARD LAYOUT MAY SIGNIFICANTLY AFFECT CIRCUIT PERFORMANCE OR RELIABILITY. CONTACT ANALOG DEVICES APPLICATIONS ENGINEERING FOR ASSISTANCE.</p> <p>THIS CIRCUIT IS PROPRIETARY TO ANALOG DEVICES AND SUPPLIED FOR USE WITH ANALOG DEVICES PARTS.</p>	<p><b>APPROVALS</b></p>		<p><b>ANALOG DEVICES</b> AHEAD OF WHAT'S POSSIBLE™</p> <p>2555 AUGUSTINE DRIVE SANTA CLARA, CA 95054 www.analog.com</p>	
	PCB DES.	LT		
	APP ENG.	YL		
	<p><b>TITLE: SCHEMATIC</b></p> <p><b>8-PHASE, DUAL OUTPUT SYNCHRONOUS BUCK CONVERTER WITH POWER SYSTEM MANAGEMENT</b></p>		<p>IC NO. LTC3888UHG SKU NO. DC2652A</p> <p>SCHEMATIC NO. AND REVISION: <b>710-DC2652A(A,B)_REV03</b></p>	
	SIZE: N/A	DATE: Monday, April 11, 2022		SHEET 3 OF 8



CUSTOMER NOTICE		APPROVALS		 <b>ANALOG DEVICES</b> AHEAD OF WHAT'S POSSIBLE™	2555 AUGUSTINE DRIVE SANTA CLARA, CA 95054 www.analog.com	
<p>ANALOG DEVICES HAS MADE A BEST EFFORT TO DESIGN A CIRCUIT THAT MEETS CUSTOMER-SUPPLIED SPECIFICATIONS; HOWEVER, IT REMAINS THE CUSTOMER'S RESPONSIBILITY TO VERIFY PROPER AND RELIABLE OPERATION IN THE ACTUAL APPLICATION. COMPONENT SUBSTITUTION AND PRINTED CIRCUIT BOARD LAYOUT MAY SIGNIFICANTLY AFFECT CIRCUIT PERFORMANCE OR RELIABILITY. CONTACT ANALOG DEVICES APPLICATIONS ENGINEERING FOR ASSISTANCE.</p>		PCB DES.	LT		<b>TITLE: SCHEMATIC</b> <b>8-PHASE, DUAL OUTPUT SYNCHRONOUS BUCK CONVERTER WITH POWER SYSTEM MANAGEMENT</b>	
		APP ENG.	YL	IC NO. LTC3888UHG SKU NO. DC2652A		
THIS CIRCUIT IS PROPRIETARY TO ANALOG DEVICES AND SUPPLIED FOR USE WITH ANALOG DEVICES PARTS.				SCHEMATIC NO. AND REVISION: <b>710-DC2652A(A,B)_REV03</b>		
		SIZE: N/A	DATE: Monday, April 11, 2022	SHEET 4 OF 8		




**CUSTOMER NOTICE**

ANALOG DEVICES HAS MADE A BEST EFFORT TO DESIGN A CIRCUIT THAT MEETS CUSTOMER-SUPPLIED SPECIFICATIONS; HOWEVER, IT REMAINS THE CUSTOMER'S RESPONSIBILITY TO VERIFY PROPER AND RELIABLE OPERATION IN THE ACTUAL APPLICATION. COMPONENT SUBSTITUTION AND PRINTED CIRCUIT BOARD LAYOUT MAY SIGNIFICANTLY AFFECT CIRCUIT PERFORMANCE OR RELIABILITY. CONTACT ANALOG DEVICES APPLICATIONS ENGINEERING FOR ASSISTANCE.

THIS CIRCUIT IS PROPRIETARY TO ANALOG DEVICES AND SUPPLIED FOR USE WITH ANALOG DEVICES PARTS.

APPROVALS	
PCB DES.	LT
APP ENG.	YL



**ANALOG DEVICES**  
AHEAD OF WHAT'S POSSIBLE™

2555 AUGUSTINE DRIVE  
SANTA CLARA, CA 95054  
[www.analog.com](http://www.analog.com)

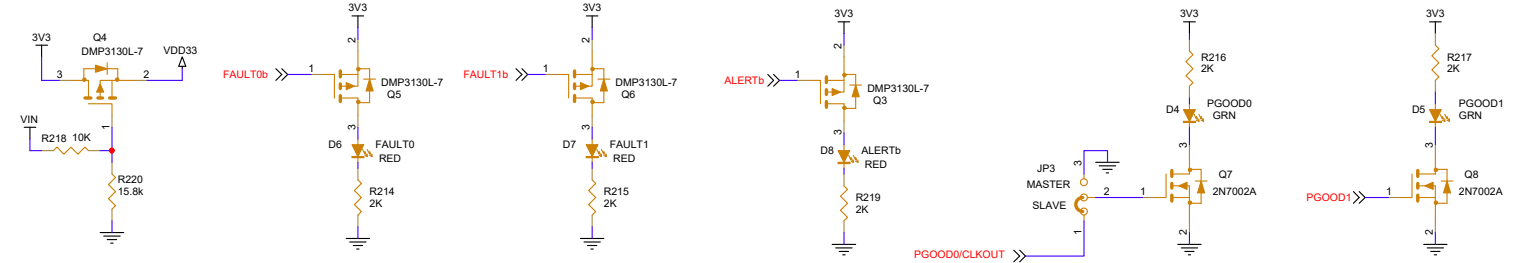
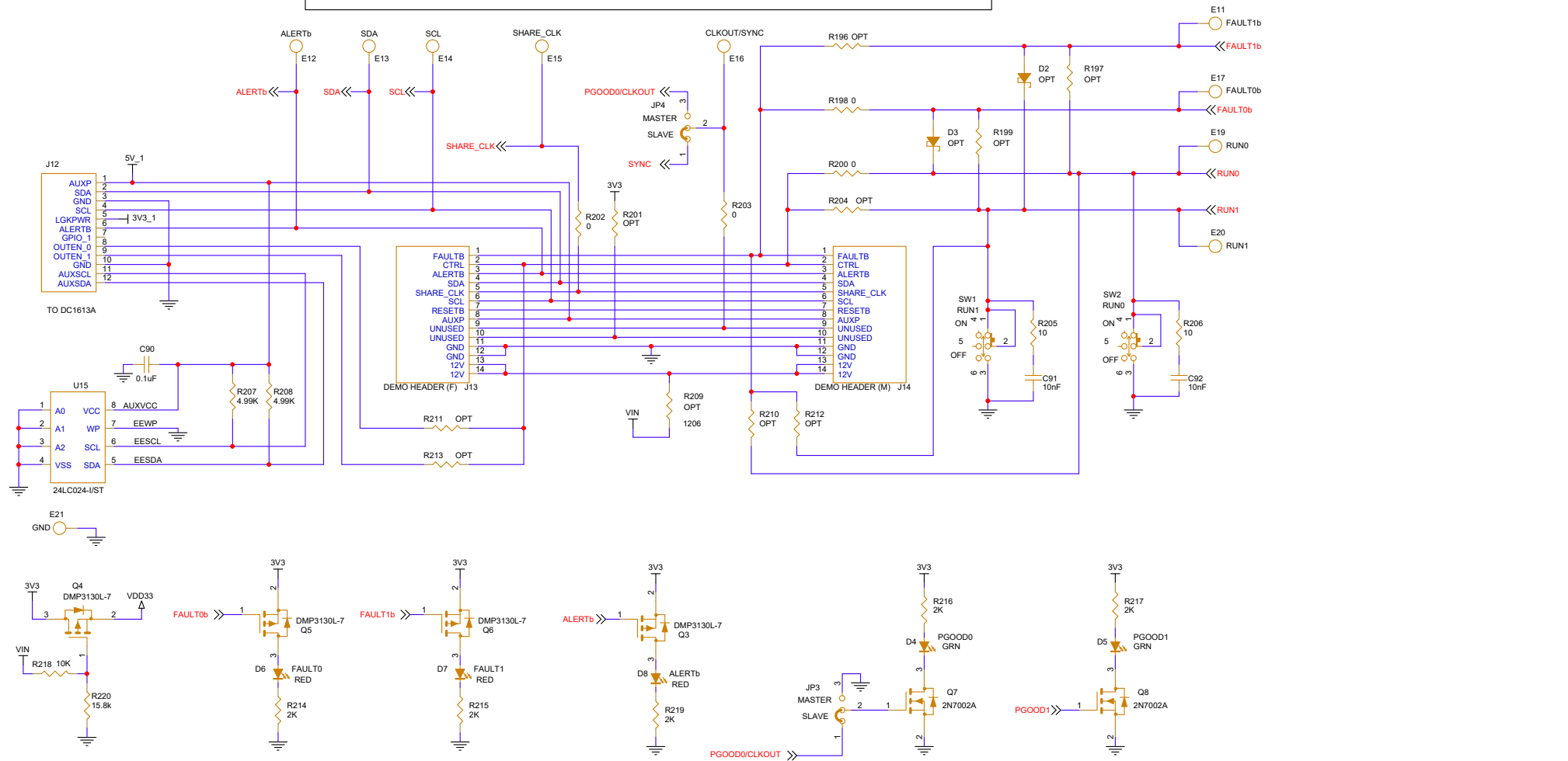
---

**TITLE: SCHEMATIC**  
**8-PHASE, DUAL OUTPUT SYNCHRONOUS BUCK CONVERTER WITH POWER SYSTEM MANAGEMENT**

<p>IC NO. LTC3888UHG SKU NO. DC2652A</p>	<p>SCHEMATIC NO. AND REVISION: <b>710-DC2652A(A,B) REV03</b></p>
<p>SIZE: N/A</p>	<p>DATE: Monday, April 11, 2022</p>

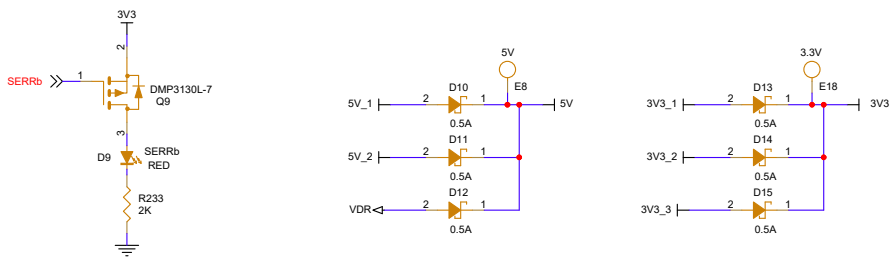
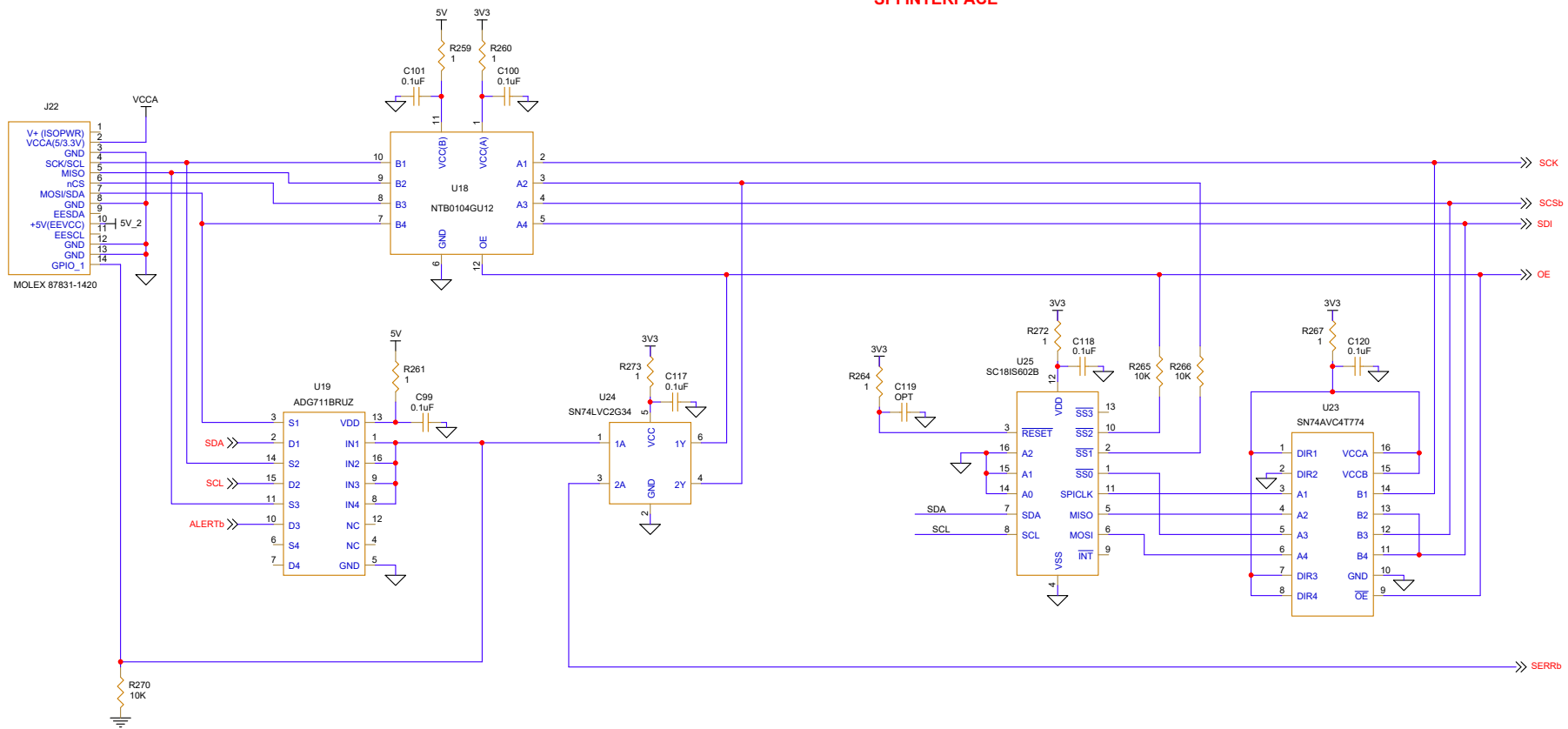
SHEET 5 OF 8

ALL PARTS ON THIS PAGE ARE FOR DEMO BOARD ONLY, NOT NEEDED IN CUSTOMER DESIGN

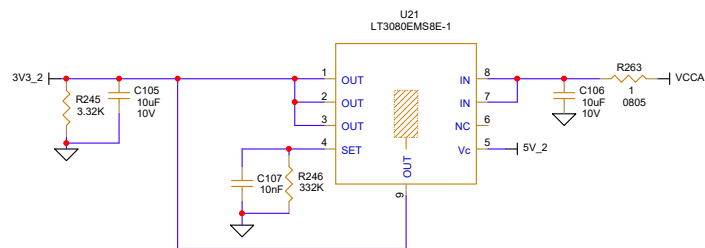
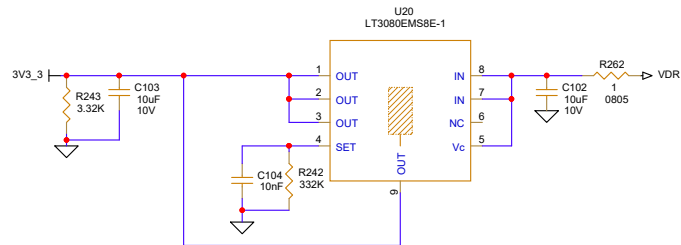



<p><b>CUSTOMER NOTICE</b></p> <p>ANALOG DEVICES HAS MADE A BEST EFFORT TO DESIGN A CIRCUIT THAT MEETS CUSTOMER-SUPPLIED SPECIFICATIONS; HOWEVER, IT REMAINS THE CUSTOMER'S RESPONSIBILITY TO VERIFY PROPER AND RELIABLE OPERATION IN THE ACTUAL APPLICATION. COMPONENT SUBSTITUTION AND PRINTED CIRCUIT BOARD LAYOUT MAY SIGNIFICANTLY AFFECT CIRCUIT PERFORMANCE OR RELIABILITY. CONTACT ANALOG DEVICES APPLICATIONS ENGINEERING FOR ASSISTANCE.</p> <p>THIS CIRCUIT IS PROPRIETARY TO ANALOG DEVICES AND SUPPLIED FOR USE WITH ANALOG DEVICES PARTS.</p>		<p><b>APPROVALS</b></p> <table border="1"> <tr> <td>PCB DES.</td> <td>LT</td> </tr> <tr> <td>APP ENG.</td> <td>YL</td> </tr> <tr> <td> </td> <td> </td> </tr> <tr> <td> </td> <td> </td> </tr> <tr> <td> </td> <td> </td> </tr> </table>		PCB DES.	LT	APP ENG.	YL						
		PCB DES.	LT										
APP ENG.	YL												
<p><b>ANALOG DEVICES</b> AHEAD OF WHAT'S POSSIBLE™</p> <p>2555 AUGUSTINE DRIVE SANTA CLARA, CA 95054 www.analog.com</p>		<p>8-PHASE, DUAL OUTPUT SYNCHRONOUS BUCK CONVERTER WITH POWER SYSTEM MANAGEMENT</p> <p>IC NO. LTC3888UHG SKU NO. DC2652A</p> <p>SCHEMATIC NO. AND REVISION: <b>710-DC2652A(A,B)_REV03</b></p>											
<p>SIZE: N/A    DATE: Monday, April 11, 2022</p>		<p>SHEET 6 OF 8</p>											

## SPI INTERFACE



<p><b>CUSTOMER NOTICE</b></p> <p>ANALOG DEVICES HAS MADE A BEST EFFORT TO DESIGN A CIRCUIT THAT MEETS CUSTOMER-SUPPLIED SPECIFICATIONS; HOWEVER, IT REMAINS THE CUSTOMER'S RESPONSIBILITY TO VERIFY PROPER AND RELIABLE OPERATION IN THE ACTUAL APPLICATION. COMPONENT SUBSTITUTION AND PRINTED CIRCUIT BOARD LAYOUT MAY SIGNIFICANTLY AFFECT CIRCUIT PERFORMANCE OR RELIABILITY. CONTACT ANALOG DEVICES APPLICATIONS ENGINEERING FOR ASSISTANCE.</p> <p>THIS CIRCUIT IS PROPRIETARY TO ANALOG DEVICES AND SUPPLIED FOR USE WITH ANALOG DEVICES PARTS.</p>		<p><b>APPROVALS</b></p>		<p><b>ANALOG DEVICES</b> AHEAD OF WHAT'S POSSIBLE™</p>	<p>2555 AUGUSTINE DRIVE SANTA CLARA, CA 95054 <a href="http://www.analog.com">www.analog.com</a></p>
		PCB DES.    LT	APP ENG.    YL		
<p><b>TITLE: SCHEMATIC</b></p> <p><b>8-PHASE, DUAL OUTPUT SYNCHRONOUS BUCK CONVERTER WITH POWER SYSTEM MANAGEMENT</b></p>					
IC NO. LTC3888UHG			SCHEMATIC NO. AND REVISION:		
SKU NO. DC2652A			<b>710-DC2652A(A,B)_REV03</b>		
SIZE: N/A	DATE: Monday, April 11, 2022	SHEET 7 OF 8			



CUSTOMER NOTICE		APPROVALS		 2555 AUGUSTINE DRIVE SANTA CLARA, CA 95054 <a href="http://www.analog.com">www.analog.com</a>
ANALOG DEVICES HAS MADE A BEST EFFORT TO DESIGN A CIRCUIT THAT MEETS CUSTOMER-SUPPLIED SPECIFICATIONS; HOWEVER, IT REMAINS THE CUSTOMER'S RESPONSIBILITY TO VERIFY PROPER AND RELIABLE OPERATION IN THE ACTUAL APPLICATION. COMPONENT SUBSTITUTION AND PRINTED CIRCUIT BOARD LAYOUT MAY SIGNIFICANTLY AFFECT CIRCUIT PERFORMANCE OR RELIABILITY. CONTACT ANALOG DEVICES APPLICATIONS ENGINEERING FOR ASSISTANCE.		PCB DES.	LT	
		APP ENG.	YL	
THIS CIRCUIT IS PROPRIETARY TO ANALOG DEVICES AND SUPPLIED FOR USE WITH ANALOG DEVICES PARTS.		<b>TITLE: SCHEMATIC</b> <b>8-PHASE, DUAL OUTPUT SYNCHRONOUS BUCK CONVERTER WITH POWER SYSTEM MANAGEMENT</b>		
		IC NO. LTC3888UHG	SCHEMATIC NO. AND REVISION:	
		SKU NO. DC2652A	<b>710-DC2652A(A,B)_REV03</b>	
SIZE: N/A	DATE: Monday, April 11, 2022	SHEET 8 OF 8		