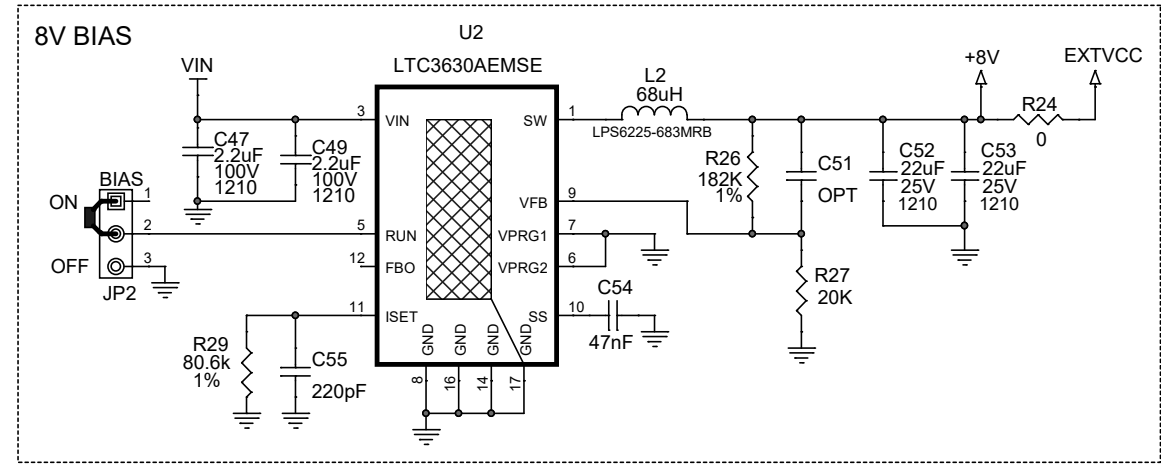
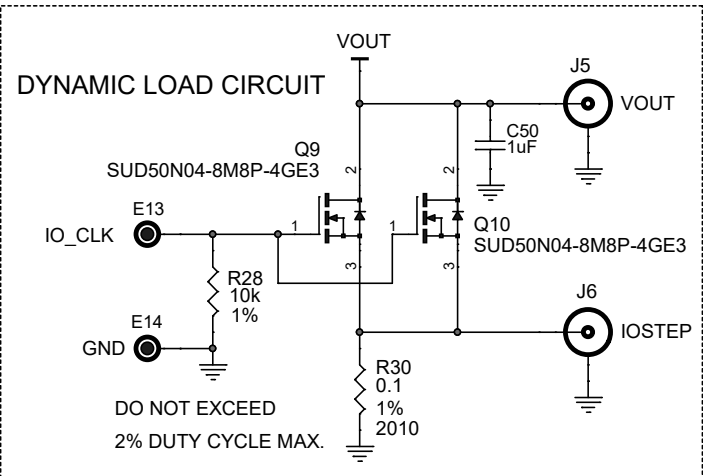
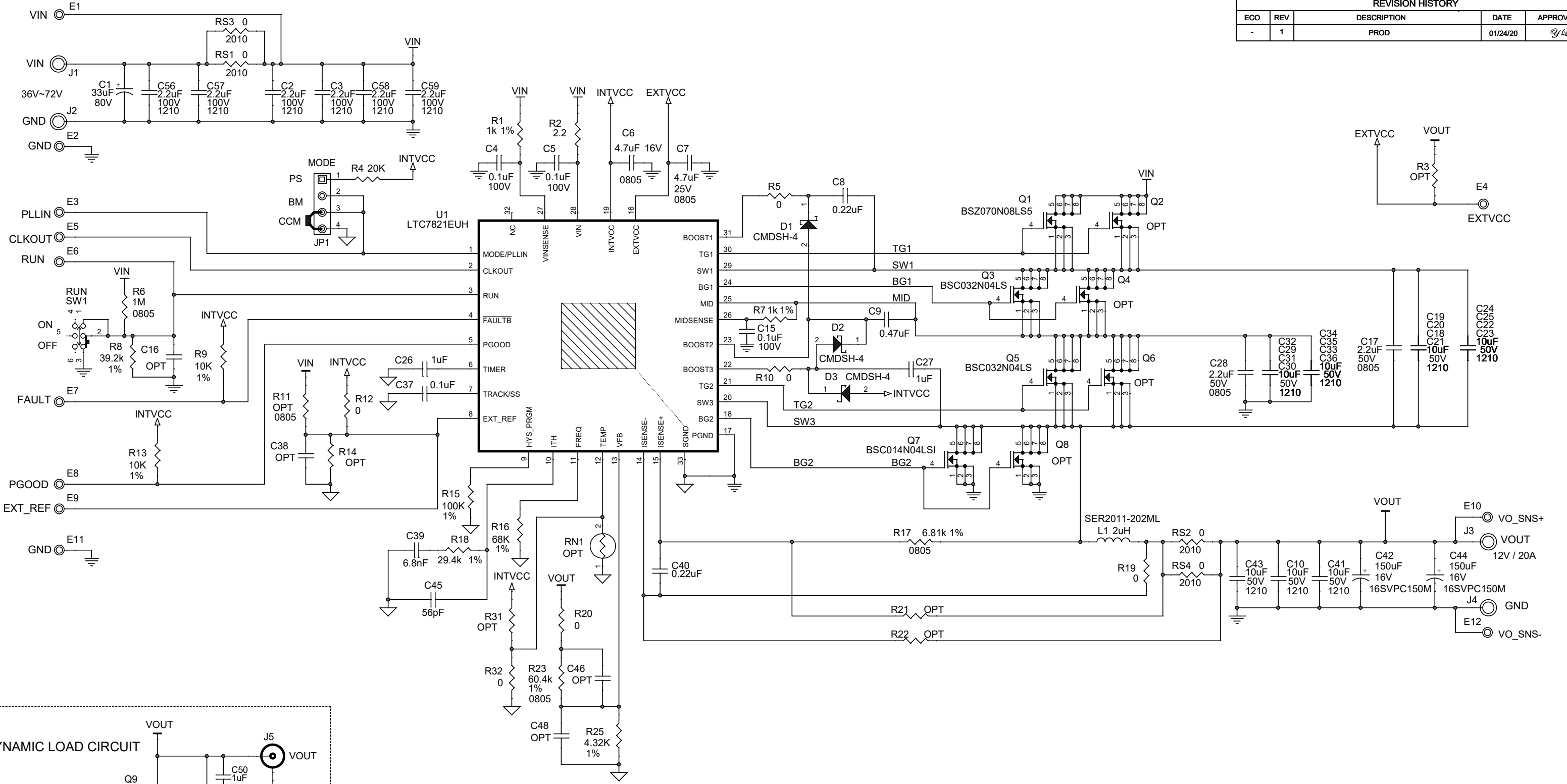


REVISION HISTORY				
ECO	REV	DESCRIPTION	DATE	APPROVED
-	1	PROD	01/24/20	<i>[Signature]</i>



NOTES: UNLESS OTHERWISE SPECIFIED,
1. CAPACITORS AND RESISTORS ARE 0603.

CUSTOMER NOTICE
LINEAR TECHNOLOGY HAS MADE A BEST EFFORT TO DESIGN A CIRCUIT THAT MEETS CUSTOMER-SUPPLIED SPECIFICATIONS; HOWEVER, IT REMAINS THE CUSTOMER'S RESPONSIBILITY TO VERIFY PROPER AND RELIABLE OPERATION IN THE ACTUAL APPLICATION. COMPONENT SUBSTITUTION AND PRINTED CIRCUIT BOARD LAYOUT MAY SIGNIFICANTLY AFFECT CIRCUIT PERFORMANCE OR RELIABILITY. CONTACT LINEAR TECHNOLOGY APPLICATIONS ENGINEERING FOR ASSISTANCE.

APPROVALS			1630 McCarthy Blvd. Milpitas, CA 95035 www.linear.com Phone: (408)432-1900 Fax: (408)434-0507 <small>LTC CONFIDENTIAL - FOR CUSTOMER USE ONLY</small>	
PCB DES.	<i>[Signature]</i>		TITLE: SCHEMATIC HIGH DENSITY HYBRID STEP-DOWN POWER SUPPLY	
APP ENG.	<i>[Signature]</i>			
SCALE = NONE		SIZE	IC NO.	REV.
		N/A	LTC7821EUH	1
		DEMO CIRCUIT 2513B		
		DATE:	Friday, January 24, 2020	SHEET 1 OF 1